

SNO-WAY[®]

SNOW & ICE CONTROL EQUIPMENT

SERVICE PARTS MANUAL

29, 29T & 32 SERIES SNOW PLOWS **WITH EIS**

FOR PLOW SERIAL NUMBERS AFTER
29G100000, 29D100000, 29C100000
29TG100000, 29TD100000, 29TC100000
32G100300, 32D102150, 32C100050



TABLE OF CONTENTS

	Page
PARTS LIST INTRODUCTION.....	2
POWER PACK FRAME - 29 & 32 SERIES.....	3
POWER PACK FRAME - 29T SERIES	5
BLADES - 29 SERIES	7
BLADES - 32 SERIES	9
BLADES - 29T SERIES	11
HYDRAULIC SYSTEM - GRAVITY DOWN.....	13
HYDRAULIC SYSTEM - DOWN PRESSURE.....	14
HYDRAULIC POWER UNIT - GRAVITY DOWN SYSTEM.....	15
HYDRAULIC POWER UNIT - DOWN PRESSURE SYSTEM.....	17
NOTES	19
LIFT CYLINDER - GRAVITY DOWN SYSTEM.....	20
LIFT CYLINDER - DOWN PRESSURE SYSTEM.....	21
ANGLE CYLINDERS	22
POWER PACK WIRING	23
CONTROL SYSTEM WIRING.....	24
AUXILIARY LIGHTS - S.N.: 32D100000 - 102149, 32G100000 - 100299, 32C100000 - 100049	25
AUXILIARY LIGHTS - S.N. AFTER: 32D102150, 32G100300, 32C100050, 29D100000, 29G100000, 29C100000, 29TG100000, 29TD100000, 29TC100000	27
NUMERICAL INDEX	29

PARTS LIST INTRODUCTION

Our dealership network stands by to provide you with any assistance you may require, including genuine Sno-Way service parts. All parts should be obtained from or ordered through your dealer. Give complete information about the part as well as the Model Number and Serial Number of your machine.

Record the Serial Number in the space provided in your Owner's Manual for quick reference. The Serial Number for the unit is on a plate located on the left frame gusset of the Hopper Frame.

"Right" and "Left" are determined from a position sitting on the Operators Seat of the vehicle.

We reserve the right to make changes or improvements in the design or construction of any part without incurring the obligation to install such changes in any unit previously delivered.

USING THIS PARTS LIST

Below is parts listing with four columns. The first column is the "ITEM", the second is the "PART NUMBER", The third is the "DESCRIPTION" and the fourth is the "QUANTITY".

The **"ITEM"** is the number used in the corresponding illustration.

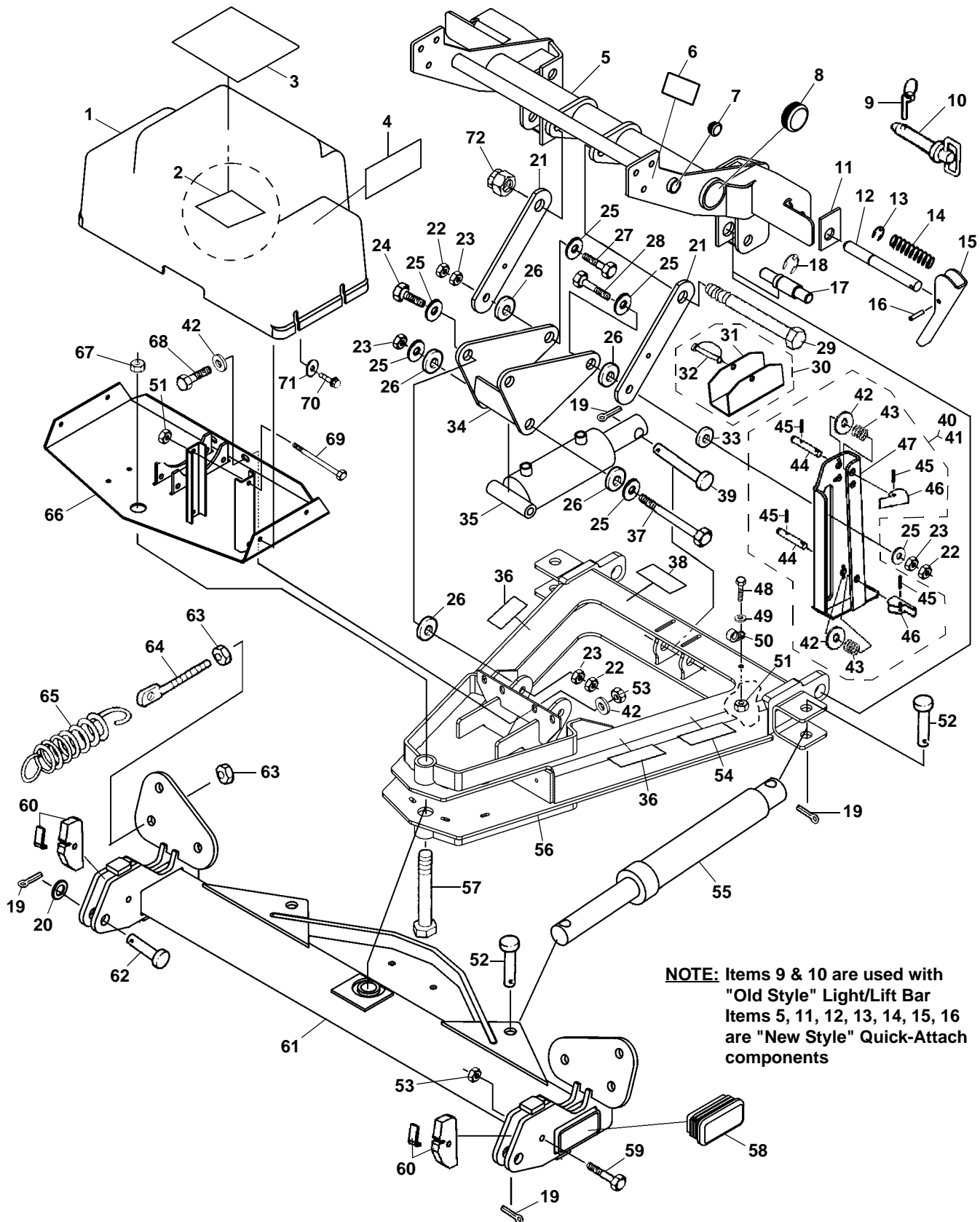
The **"PART NO."** Is the number used to order replacement parts. If a number does not appear in the column the part is only available by ordering the complete assembly.

The **"DESCRIPTION"** is the name of the replacement part. At times the name may be indented, this means that the indented parts are part of the preceding assembly.

The **"QTY."** Is the quantity needed to service the assembly illustrated, not the complete product.

ITEM	PART NO.	DESCRIPTION	QTY.
196100083	O-ring	1	
296001529	Elbow	3	
398100036	Capscrew, Hex., 3/8"-16NC x 7/8"9		

POWER PACK FRAME - 29 & 32 SERIES

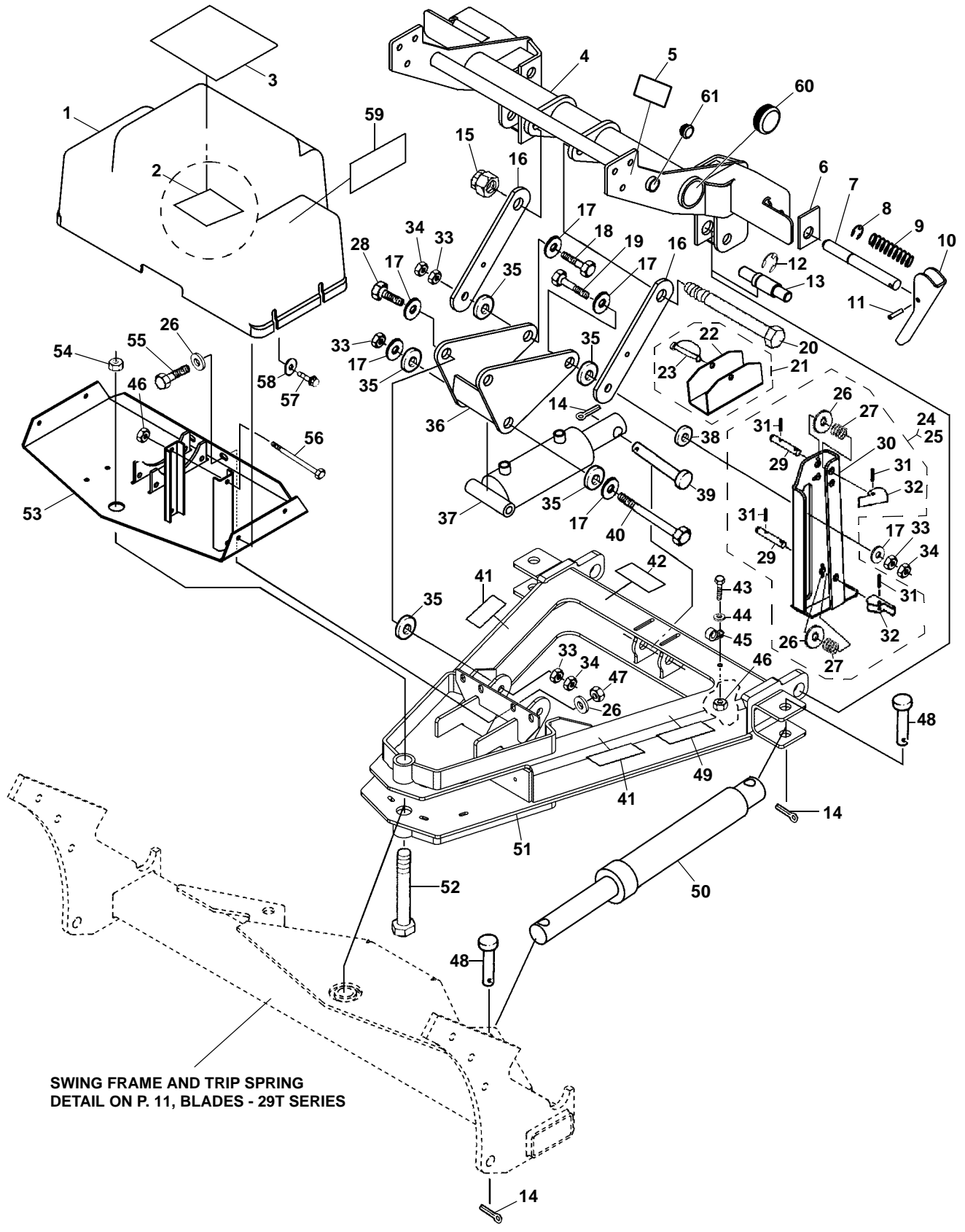


NOTE: Items 9 & 10 are used with "Old Style" Light/Lift Bar
 Items 5, 11, 12, 13, 14, 15, 16 are "New Style" Quick-Attach components

POWER PACK FRAME - 29 & 32 SERIES

ITEM	PART NO.	DESCRIPTION	QTY
1	96106073	Cover, Pump	1
2	97100750	Decal, DP System.....	1
	97100752	Decal, Gravity Down System	1
3	97100986	Decal, Mounting Instructions	1
4	97101087	Decal, Warning, Cover Removal.....	1
5	96107125	Light/Lift Bar, Quick-Attach	1
	96107400	Assembly, Light/Lift Bar, Quick-Attach (includes items 11, 12, 13, 14, 15, 16).....	1
6	97100400	Decal, Warning	1
7	96108874	End Cap, 1"	2
8	96108873	End Cap, 2-1/4"	2
9	98009169	Pin, Lynch, 1/4" x 1-5/8" (used with "Old Style" Light/Lift Bar).....	2
10	96105046	Pin, Hitch (used with "Old Style" Light/Lift Bar)	2
11	96107329	Plate, Bearing, Polyethylene.....	2
12	96107128	Pin, Quick-Tatch.....	2
13	98100312	E-Ring.....	2
14	96107130	Spring, SS.....	2
15	96109013	Handle, Quick-Release	2
16	98100313	Pin, Roll, 1/4 x 1-3/8" SS	2
17	96106144	Pin, Quick Hitch	2
18	98100300	E-Ring, 1"	2
19	98009085	Pin, Cotter, 5/32" x 1-1/2"	7
20	98009030	Washer, Flat, 3/4"	2
21	96105619	Link, Lift	2
22	98100172	Nut, Jam, 1/2"-13	4
23	98009013	Nut, Nylock, 1/2"-13	5
24	98100390	Cap Screw, Hex, 1/2"-13 x 1-3/4"	2
25	98100176	Washer, Hardened.....	7
26		Spacer, Lift Bar (available in kit only)	
	96110394	Kit, Spacer Service	1
		(includes one ea. items 29, 72, and two ea. items 22, 24, and 23 and six of 26)	
27	98100010	Cap Screw, Hex, 1/2"-13 x 2"	1
28	98100062	Cap Screw, Hex, 1/2"-13 x 2-1/4"	1
29	98100324	Cap Screw, Hex, 3/4"-10 x 6-1/2"	1
30	96107767	Clamp, Cylinder Lock, Gravity Down	1
	96107768	Clamp, Cylinder Lock, Down Pressure	1
31		Clamp, Cylinder Lock, Gravity Down	1
		Clamp, Cylinder Lock, Down Pressure	1
32		Pin, Wire Lock.....	1
33	96102168	Spacer, Stand	1
34	96105618	Bellcrank	1
35	96106076	Cylinder, Lift, Gravity Down.....	1
	96106077	Cylinder, Lift, Down Pressure	1
36	97100876	Decal, Warning, Pinch Point	2
37	98009114	Cap Screw, Hex, 1/2"-13 x 6"	1
38	97100005	Decal, Patent	1
39	98100007	Pin, Clevis, 3/4" x 4"	1
40	96106605	Jackstand Assembly, 29/32 Series	1
41	96107711	Kit, Jackstand Hardware	1
		(includes one ea. items 42, 43, 44, 46, two item 45)	2
42	98009032	Washer, 3/8"	6
43		Spring, Latch.....	2
44		Pin, Latch.....	2
45		Roll Pin, 5/32" x 7/8"	4
46		Cam, Jackstand	2
47	96105959	Jackstand.....	1
48	98009027	Cap Screw, Hex, 1/4"-20 x 1"	1
49	98009029	Washer, Flat, 1/4"	1
50	96101891	Clamp, Tube.....	1
51	98100255	Nut, Nylock, 1/4"-20	2
52	98100040	Pin, Clevis, 3/4" x 3"	4
53	98009009	Nut, Hex Nylock, 3/8"-16	4
54	97100001	Decal, Warning	1
55	96110953	Cylinder, Angle, 1-1/2" (See page 22 for parts breakdown).....	2
56	96106090	A-Frame	1
57	98100006	Cap Screw, Hex, 1"-14 x 7-1/2"	1
58	96108876	End Cap, 2 x 4	2
59	98009134	Cap Screw, Hex, 3/8"-16 x 2-1/2"	2
60	96107396	Kit, Cushion/Stop, Blade Trip, 32 Series	1
	96109981	Kit, Cushion/Stop, Blade Trip, 29 Series	1
61	96105457	Frame, Swing.....	1
62	98100315	Pin, Clevis, 3/4" x 2"	2
63	98009078	Nut, Hex, 5/8"-11	4 (29 Series), 8 (32 Series)
64	98009037	Eye Bolt, 5/8"-11 x 6"	2 (29 Series), 4 (32 Series)
65	96001392	Spring, Trip.....	2 (29 Series), 4 (32 Series)
66	96106184	Platform, Pump	1
67	98100294	Nut, Hex, 1"-14	1
68	98009022	Cap Screw, Hex, 3/8"-16 x 1"	2
69	98100266	Cap Screw, Hex, 1/4"-20 x 6"	1
70	98019176	Screw, Flange Head, Self-Tapping, 5/16" x 1"	4
71	98019230	Washer, Flat, 5/16"	4
72	98009003	Nut, Nylock, 3/4"-10	1

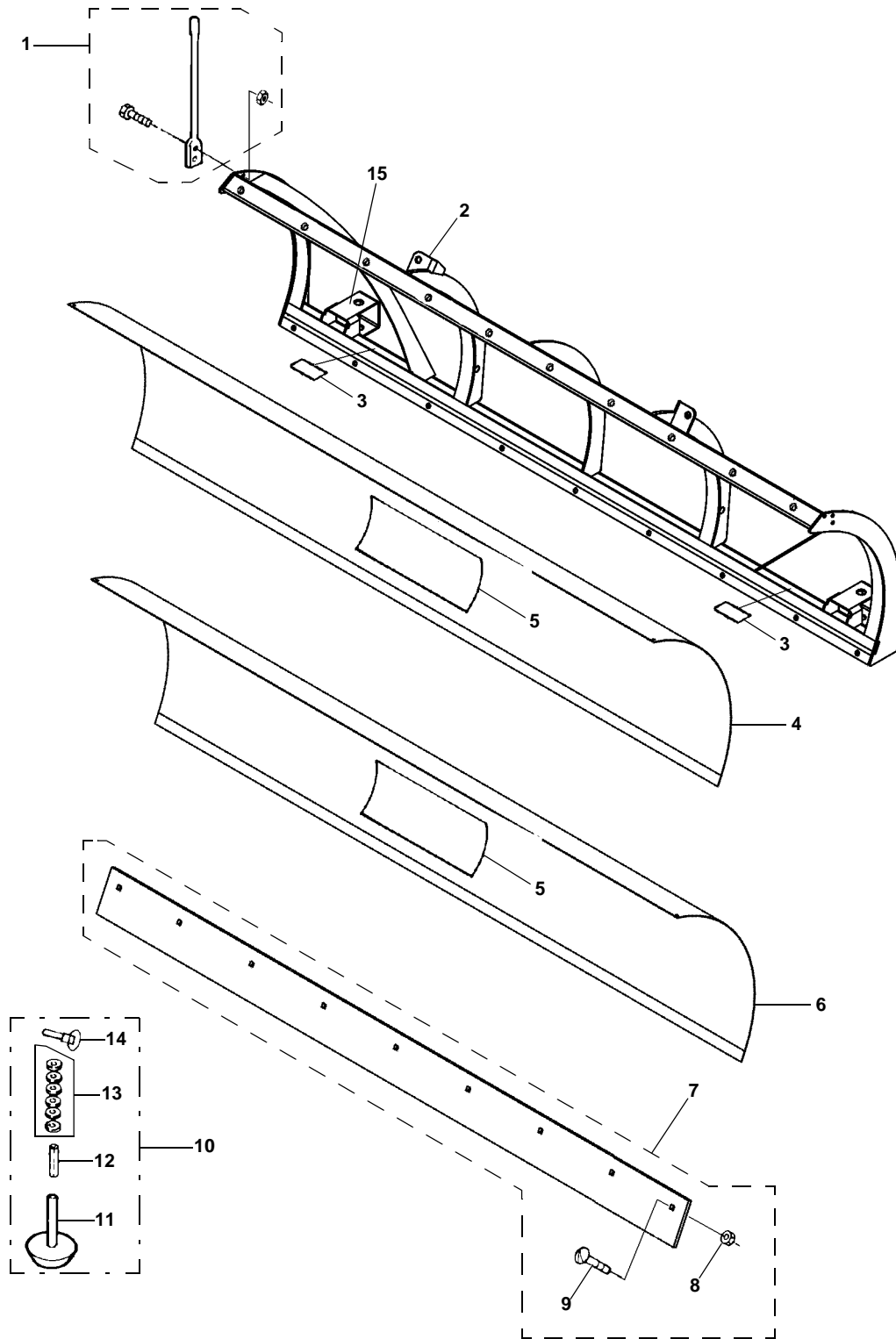
POWER PACK FRAME - 29T SERIES



POWER PACK FRAME - 29T SERIES

ITEM	PART NO.	DESCRIPTION	QTY
1	96106073	Cover, Pump	1
2	97100750	Decal, DP System.....	1
	97100752	Decal, Gravity Down System	1
3	97100986	Decal, Mounting Instructions	1
4	96107125	Light/Lift Bar, Quick-Attach	1
	96107400	Assembly, Light/Lift Bar, Quick-Attach (includes items 6, 7, 8, 9, 10, 11).....	1
5	97100400	Decal, Warning	1
6	96107329	Plate, Bearing, Polyethylene	2
7	96107128	Pin, Quick-Tatch.....	2
8	98100312	E-Ring.....	2
9	96107130	Spring, SS.....	2
10	96109013	Handle, Quick-Release.....	2
11	98100313	Pin, Roll, 1/4 x 1-3/8" SS	2
12	98100300	E-Ring, 1".....	2
13	96106144	Pin, Quick Hitch	2
14	98009085	Pin, Cotter, 5/32" x 1-1/2".....	5
15	98009003	Nut, Nylock, 3/4"-10.....	1
16	96105619	Link, Lift	2
17	98100176	Washer, Hardened	7
18	98100010	Cap Screw, Hex, 1/2"-13 x 2".....	1
19	98100062	Cap Screw, Hex, 1/2"-13 x 2-1/4".....	1
20	98100324	Cap Screw, Hex, 3/4"-10 x 6-1/2".....	1
21	96107767	Clamp, Cylinder Lock, Gravity Down	1
	96107768	Clamp, Cylinder Lock, Down Pressure	1
22		Clamp, Cylinder Lock, Gravity Down	1
		Clamp, Cylinder Lock, Down Pressure	1
23		Pin, Wire Lock.....	1
24	96106605	Jackstand Assembly, 32/29 Series	1
25	96107711	Kit, Jackstand Hardware	2
		(includes one ea. items 26, 27, 29, 32, two item 31)	
26	98009032	Washer, 3/8".....	6
27		Spring, Latch.....	2
28	98100390	Cap Screw, Hex, 1/2"-13 x 1-3/4".....	2
29		Pin, Latch	2
30	96105959	Jackstand.....	1
31		Roll Pin, 5/32" x 7/8"	4
32		Cam, Jackstand	2
33	98009013	Nut, Nylock, 1/2"-13.....	5
34	98100172	Nut, Jam, 1/2"-13	4
35		Spacer, Lift Bar (available in kit only)	
	96110394	Kit, Spacer Service	1
		(includes one ea. items 15, 20, two ea. items 28, 33, and 34, and six of item 35)	
36	96105618	Bellcrank	1
37	96106076	Cylinder, Lift, Gravity Down.....	1
	96106077	Cylinder, Lift, Down Pressure.....	1
38	96102168	Spacer, Stand	1
39	98100007	Pin, Clevis, 3/4" x 4".....	1
40	98009114	Cap Screw, Hex, 1/2"-13 x 6".....	1
41	97100876	Decal, Warning, Pinch Point	2
42	97100005	Decal, Patent	1
43	98009027	Cap Screw, Hex, 1/4"-20 x 1".....	1
44	98009029	Washer, Flat, 1/4".....	1
45	96101891	Clamp, Tube.....	1
46	98100255	Nut, Nylock, 1/4"-20.....	2
47	98009009	Nut, Hex Nylock, 3/8"-16	2
48	98100040	Pin, Clevis, 3/4" x 3".....	4
49	97100001	Decal, Warning	1
50	96110953	Cylinder, Angle, 1-1/2" (See page 22 for parts breakdown).....	2
51	96106090	A-Frame	1
52	98100006	Cap Screw, Hex, 1"-14 x 7-1/2".....	1
53	96106184	Platform, Pump	1
54	98100294	Nut, Hex, 1"-14.....	1
55	98009022	Cap Screw, Hex, 3/8"-16 x 1".....	2
56	98100266	Cap Screw, Hex, 1/4"-20 x 6".....	1
57	98019176	Screw, Flange Head, Self-Tapping, 5/16" x 1".....	4
58	98019230	Washer, Flat, 5/16".....	4
59	97101087	Decal, Warning, Cover Removal.....	1
60	96108873	End Cap, 2-1/4".....	2
61	96108874	End Cap, 1".....	2

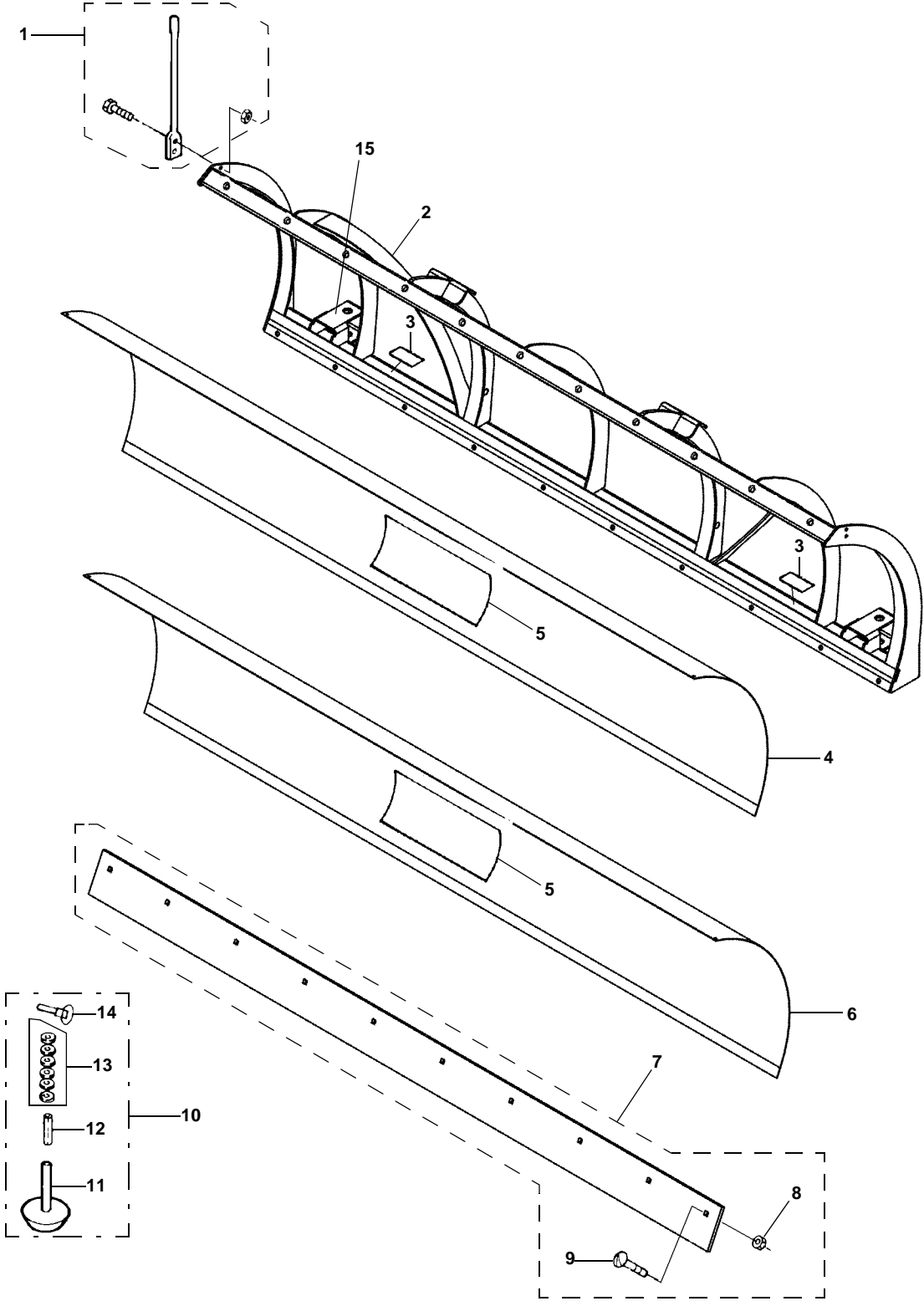
BLADES - 29 SERIES



BLADES - 29 SERIES

ITEM	PART NO.	DESCRIPTION	QTY
1	96106696	Kit, Guide, Blade (includes two Guides and Mounting Hardware).....	1
2		Frame, 90"	1
		Frame, 96"	1
3	97100018	Decal, Warning	2
4	96106663	Kit, Skin, Polycarbonate, 90" (includes "Sno-Way" Decal).....	1
	96106664	Kit, Skin, Polycarbonate, 96" (includes "Sno-Way" Decal).....	1
5	97100879	Decal, Sno-Way (used with Steel Blade).....	1
	97100880	Decal, Sno-Way (used with Polycarbonate Blade)	1
6	96106665	Blade Skin, Steel, 90" (includes "Sno-Way" Decal)	1
	96106666	Blade Skin, Steel, 96" (includes "Sno-Way" Decal)	1
	96106667	Blade Skin, SS, 96" (includes "Sno-Way" Decal).....	1
	96107332	Blade Skin, SS, 90" (includes "Sno-Way" Decal).....	1
7	96106668	Kit, Wearstrip, Steel, 90".....	1
	96106669	Kit, Wearstrip, Steel, 96".....	1
8	98009013	Nut, Hex., Nylock, 1/2" - 13.....	9
9	98009171	Bolt, Carriage, Gr. 5, 1/2"-13 x 1-1/2"	9
10	96102542	Assembly, Shoe	2
11		Shoe, Cast, 1" Shaft	1
12		Spacer, 1"	1
13	98009005	Washer, Flat, 1"	13
14	98009169	Pin, Lynch, 1/4" x 1-9/16".....	1
15	96106375	Brkt., Shoe, 29, 26.....	2

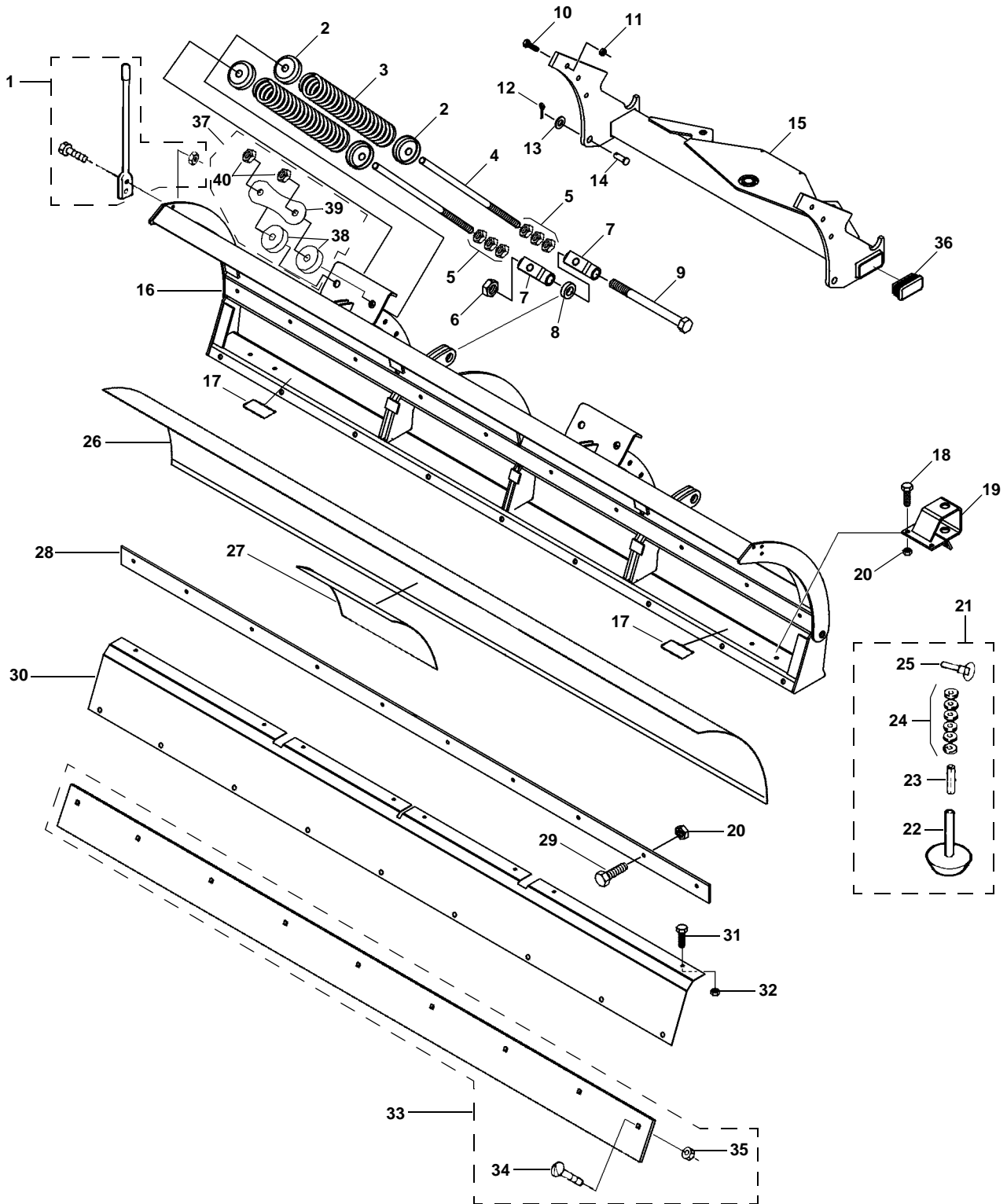
BLADES - 32 SERIES



BLADES - 32 SERIES

ITEM	PART NO.	DESCRIPTION	QTY
1	96106696	Kit, Guide, Blade (includes two Guides and Mounting Hardware).....	1
2		Frame, 102"	1
		Frame, 108"	1
		Frame, 120"	1
3	97100018	Decal, Warning	2
4	96106356	Kit, Skin, Polycarbonate, 102" (includes "Sno-Way" Decal).....	1
	96106357	Kit, Skin, Polycarbonate, 108" (includes "Sno-Way" Decal).....	1
	96106358	Kit, Skin, Polycarbonate, 120" (includes "Sno-Way" Decal).....	1
5	97100879	Decal, Sno-Way (used with Steel Blade).....	1
	97100880	Decal, Sno-Way (used with Polycarbonate Blade)	1
6	96106353	Blade Skin, Steel, 102" (includes "Sno-Way" Decal)	1
	96106354	Blade Skin, Steel, 108" (includes "Sno-Way" Decal)	1
	96106355	Blade Skin, Steel, 120" (includes "Sno-Way" Decal)	1
	96106670	Blade Skin, SS, 102"	1
	96106671	Blade Skin, SS, 108"	1
	96106672	Blade Skin, SS, 120"	1
7	96106307	Kit, Wearstrip, Steel, 102"	1
	96106308	Kit, Wearstrip, Steel, 108"	1
	96106309	Kit, Wearstrip, Steel, 120"	1
8	98009013	Nut, Hex., Nylock, 1/2" - 13.....	11
9	98009171	Bolt, Carriage, Gr. 5, 1/2"-13 x 1-1/2"	11
10	96102542	Assembly, Shoe	2
11		Shoe, Cast, 1" Shaft	1
12		Spacer, 1"	1
13	98009005	Washer, Flat, 1"	13
14	98009169	Pin, Lynch, 1/4" x 1-9/16".....	1
15	96105410	Brkt., Shoe, 32.....	2

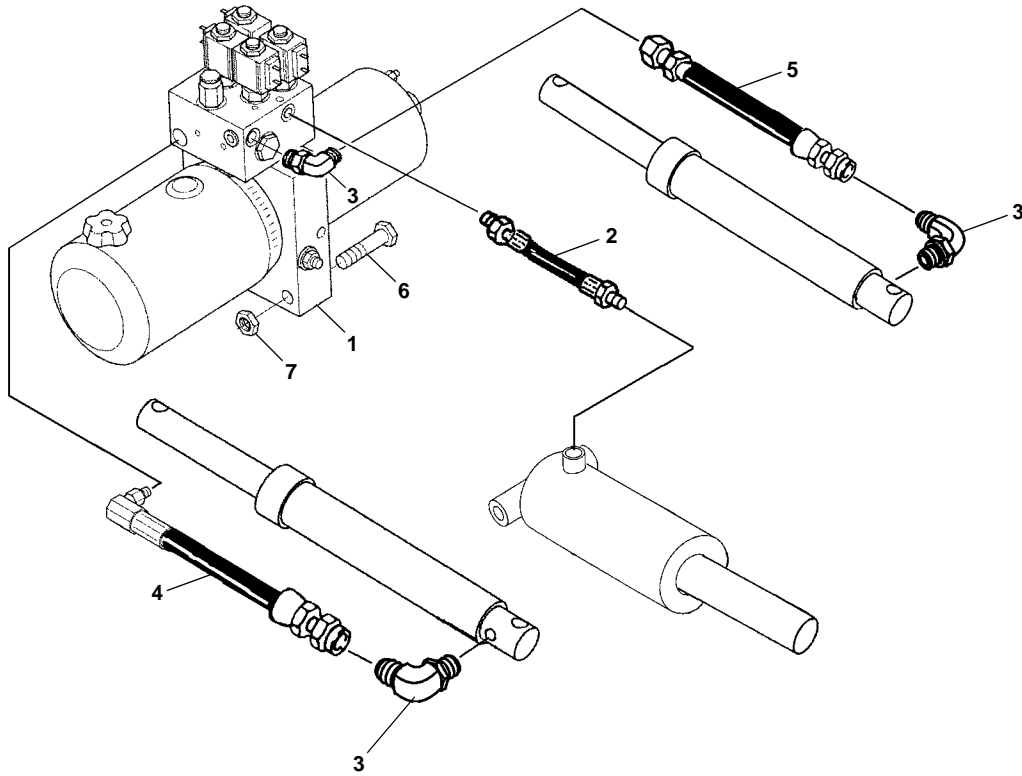
BLADES - 29T SERIES



BLADES - 29T SERIES

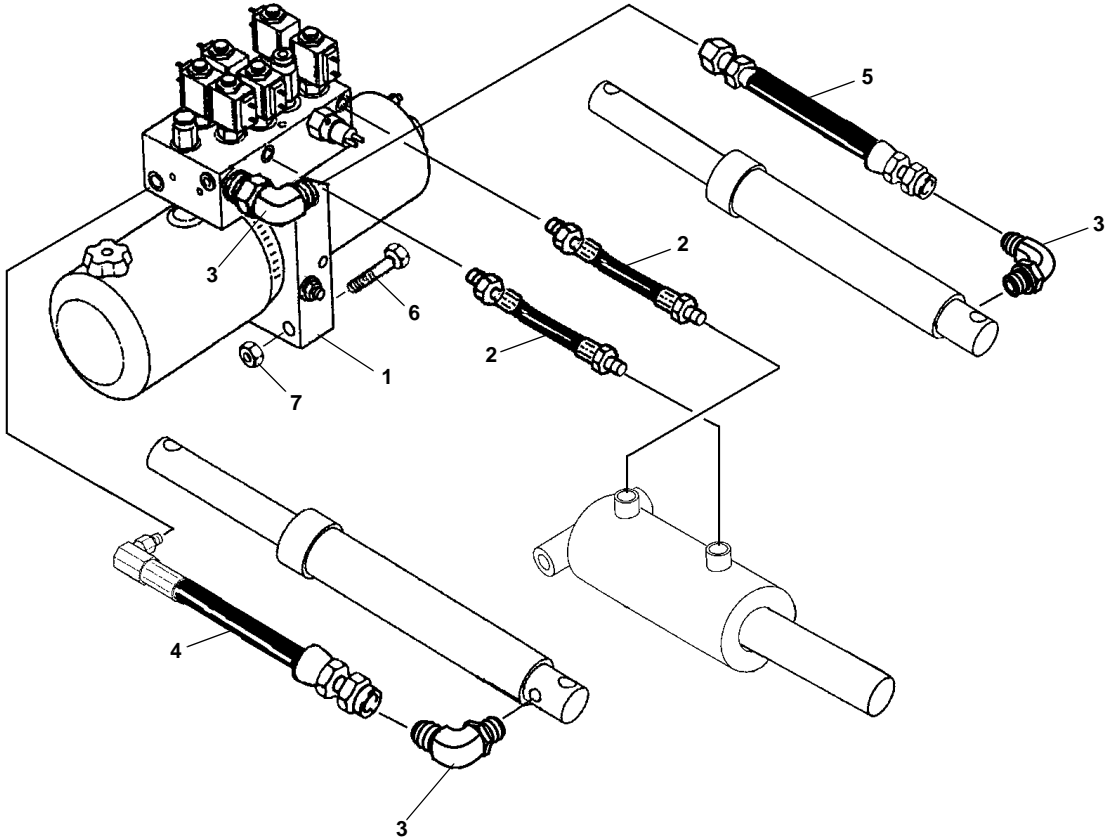
ITEM	PART NO.	DESCRIPTION	QTY
1	96106696	Kit, Guide, Blade (includes two Guides and Mounting Hardware)	1
2	96107374	Cup, Formed Out	8
3	96107208	Spring, Trip	4
4	96107673	Spring Rod, Threaded	4
5	98009075	Nut, Hex, 3/4"-12	12
6	98009053	Nut, Nylock, 1"-8	2
7	96107365	Assembly, Saddle	4
8	96107221	Bushing, Shock	2
9	98100319	Cap Screw, Hex Head, 1"-12 x 11-1/2"	2
10	98100095	Cap Screw, Hex, 1/2"-13 x 1-3/4"	6
11	98009013	Nut, Nylock, 1/2"13	6
12	98009085	Pin, Cotter, 5/32" x 1-1/2"	2
13	98009030	Washer, Flat, 3/4"	2
14	98100165	Pin, Clevis, 3/4" x 2-1/2"	2
15	96107106	Frame, Swing	1
16		Frame, 90"	1
		Frame, 96"	1
17	97100018	Decal, Warning	2
18	98009034	Cap Screw, Hex, 3/8"-16 x 1-1/4"	8
19	96107434	Assembly, Shoe Bracket	2
20	98009009	Nut, Nylock, 3/8-16	18
21	96102542	Assembly, Shoe	2
22		Shoe, Cast, 1" Shaft	1
23		Spacer, 1"	1
24	98009005	Washer, Flat, 1"	13
25	98009169	Pin, Lynch, 1/4" x 1-9/16"	1
26	96107935	Blade Skin, Upper, Polycarbonate, 90" (includes "Sno-Way" Decal)	1
	96107938	Blade Skin, Upper, Polycarbonate, 96" (includes "Sno-Way" Decal)	1
	96107936	Blade Skin, Upper, Steel, 90" (includes "Sno-Way" Decal)	1
	96107939	Blade Skin, Upper, Steel, 96" (includes "Sno-Way" Decal)	1
	96107937	Blade Skin, Upper, SS, 90" (includes "Sno-Way" Decal)	1
	96107940	Blade Skin, Upper, SS, 96" (includes "Sno-Way" Decal)	1
27	97100879	Decal, Sno-Way (used with Steel Blade)	1
	97100880	Decal, Sno-Way (used with Polycarbonate Blade)	1
28	96107950	Retainer, Upper Skin, 90"	1
	96107951	Retainer, Upper Skin, 96"	1
29	98009022	Cap Screw, Hex Head, 3/8-16 x 1"	10
30	96107503	Skin, Lower, 90"	1
	96107132	Skin, Lower, 96"	1
31	98100263	Cap Screw, Hex, 5/16-18 x 3/4"	8
32	98009150	Nut, Nylock, 5/16-18	8
33	96106668	Kit, Wearstrip, Steel, 90"	1
	96106669	Kit, Wearstrip, Steel, 96"	1
34	98009171	Bolt, Carriage, Gr. 5, 1/2"-13 x 1-1/2"	9
35	98009013	Nut, Nylock, 1/2"13	9
36	96108876	End Cap, 2 x 4	2
37	96108499	Kit, Shock Absorbor (includes two item 39 and four Items 38 and 40)	1
38	96108497	Stop, TEB	4
39	96108498	Plate, Bumper, TEB	2
40	98009003	Nut, Nylock, 3/4"-10	4

HYDRAULIC SYSTEM GRAVITY DOWN



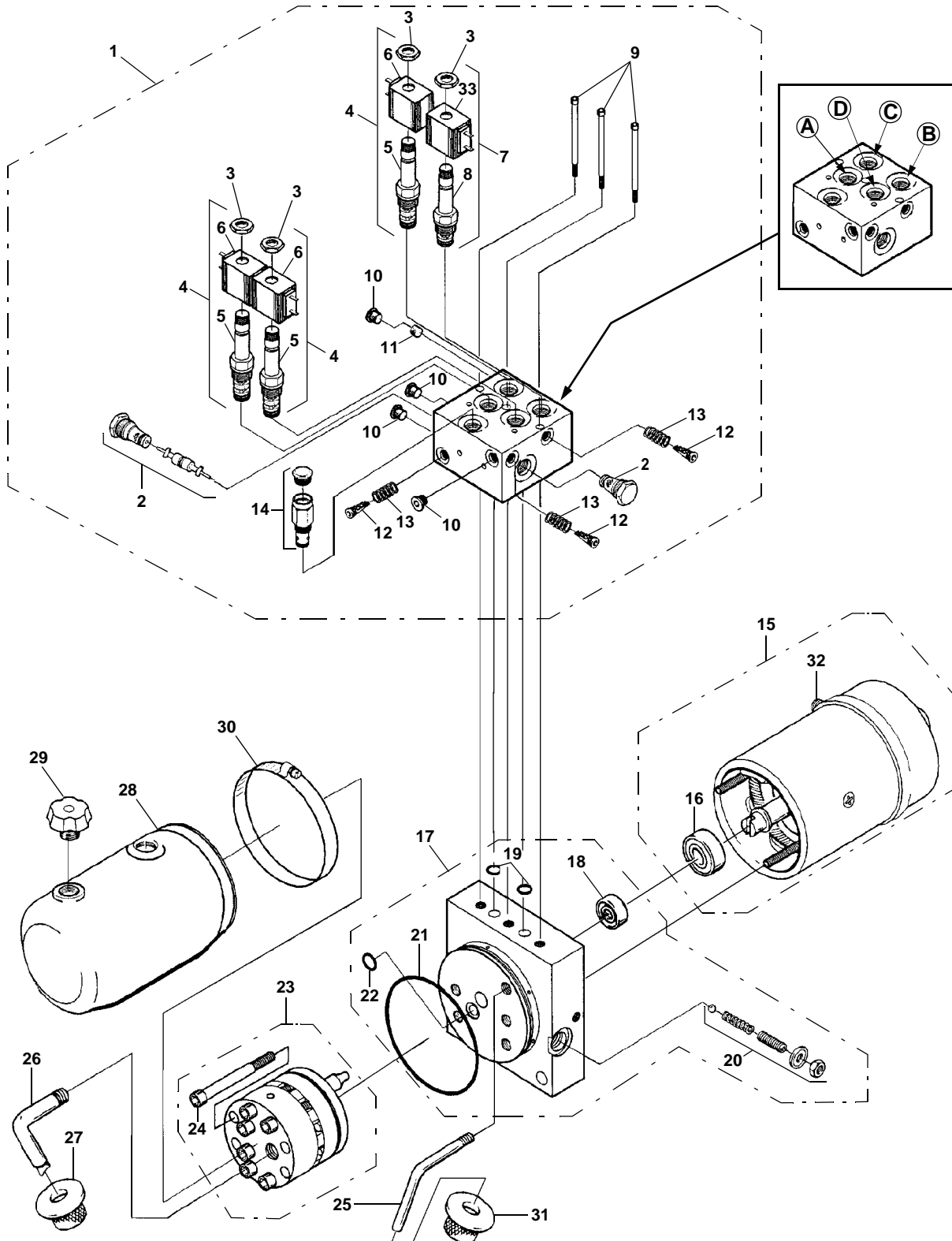
ITEM	PART NO.	DESCRIPTION	QTY
1	96106074	Power Unit, Gravity Down (see page 15 for parts breakdown).....	1
2	96106069	Hose, Hydraulic, 18-3/4".....	1
3	96100001	Fitting, Elbow, 90 Degree	3
4	96106070	Hose, Hydraulic, 27-1/2".....	1
5	96106071	Hose, Hydraulic, 32".....	1
6	98100264	Capscrew, Hex Head, 5/16"-18 x 2-1/4"	2
7	98009150	Nylock, Hex Head, 5/16"-18	2

HYDRAULIC SYSTEM DOWN PRESSURE



ITEM	PART NO.	DESCRIPTION	QTY
1	96106075	Power Unit, DP (see page 17 for parts breakdown)	1
2	96106069	Hose, Hydraulic, 18-3/4"	2
3	96100001	Fitting, Elbow, 90 Degree	3
4	96106070	Hose, Hydraulic, 27-1/2"	1
5	96106071	Hose, Hydraulic, 32"	1
6	98100264	Capscrew, Hex Head, 5/16"-18 x 2-1/4"	2
7	98009150	Nylock, Hex Head, 5/16"-18	2

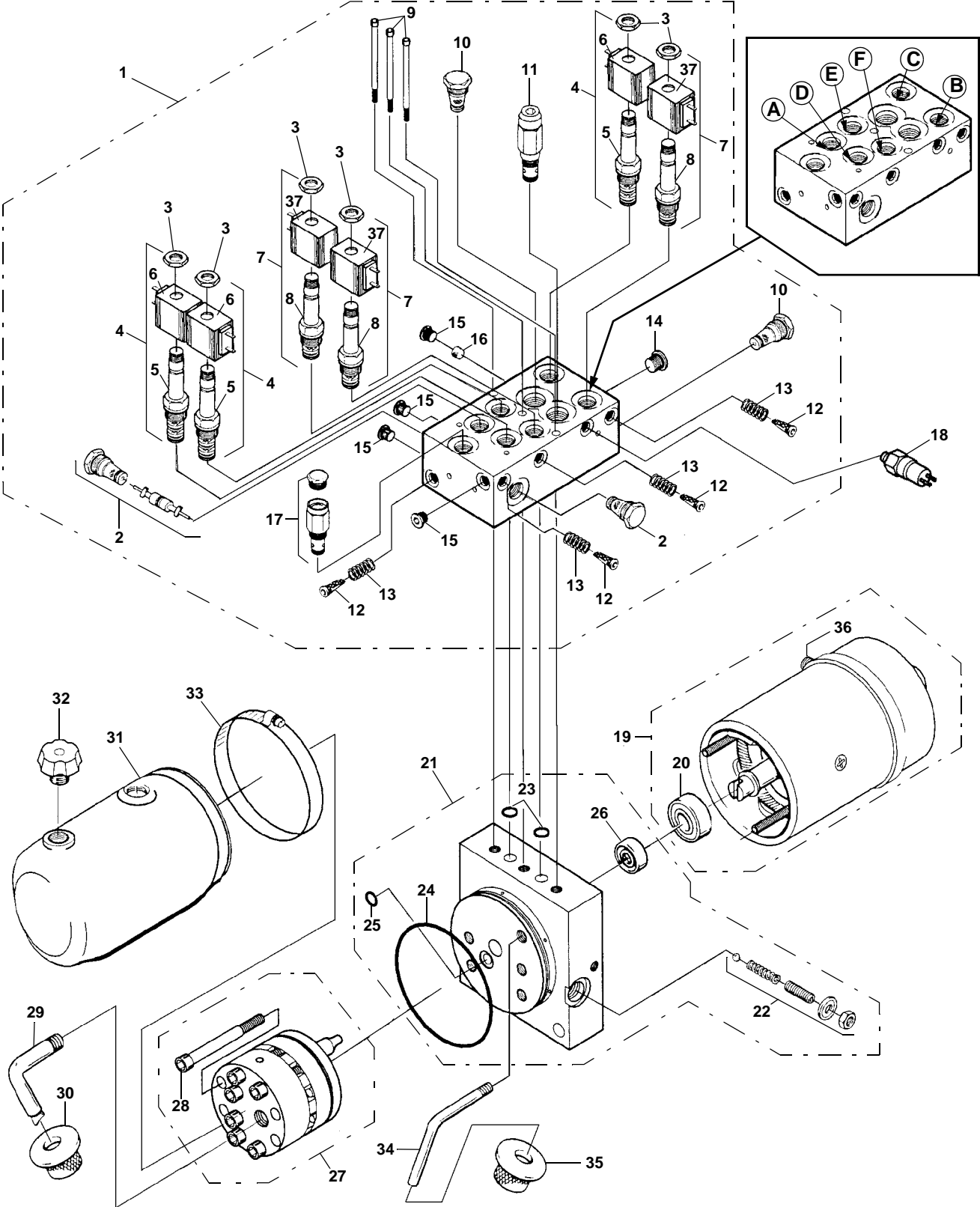
HYDRAULIC POWER UNIT GRAVITY DOWN SYSTEM



HYDRAULIC POWER UNIT GRAVITY DOWN SYSTEM

ITEM	PART NO.	DESCRIPTION	QTY
1		Valve Assembly	1
2	96106273	Valve, Check.....	1
3	96105275	Nut, Coil Retaining	4
4		Valve, 10V DC (Red Coil) - Use part 96108341	3
	96108341	Valve, 3-Way, 10V DC (Black Coil).....	3
5		Cartridge (Red Coil) - Use part 96108341	3
	96108324	Cartridge, 3-Way (Black Coil).....	3
6	96105274	Coil, 10V DC (Red).....	4
	96108323	Coil, 10V DC (Black)	4
7		Valve, 10V DC (Red Coil) - Use part 96108342	1
	96108342	Valve, 2-Way, 10V DC (Blue Coil).....	1
8		Cartridge (Red Coil) - Use part 96108342	1
	96108325	Cartridge (Blue Coil).....	1
9	96105237	Screw	3
10	96105234	Fitting, Plug	4
11	96106102	Fitting, Orifice	1
	96108627	Kit, Orifice (to adjust drop rate)	1
12	96105250	Screen, Inline	3
13	96105251	Spring, Retaining.....	3
14	96106417	Valve, Relief, Cross Over.....	1
15	96105233	Motor, 12V DC.....	1
16		Bearing, Motor Base	1
17	96105232	Base Assembly, Pump.....	1
18	96105317	Seal, Shaft.....	1
19	96105314	O-Ring.....	2
20	96105313	Parts Kit, Relief Valve	1
21	96105315	O-Ring.....	1
22	96105316	O-Ring.....	1
23	96105735	Pump Assembly	1
24		Screw, Socket Head Cap.....	4
25	96105249	Tube, Return.....	1
26	96105246	Tube, Suction.....	1
27	96105245	Filter, Suction.....	1
28	96105241	Reservoir	1
29	96105244	Filler Cap	1
30	96105231	Clamp	1
31	96105318	Filter, Return.....	1
32	96105312	Brush, Replacement Kit	1
33	96111171	Coil, 10V DC (Blue).....	1

HYDRAULIC POWER UNIT DOWN PRESSURE SYSTEM

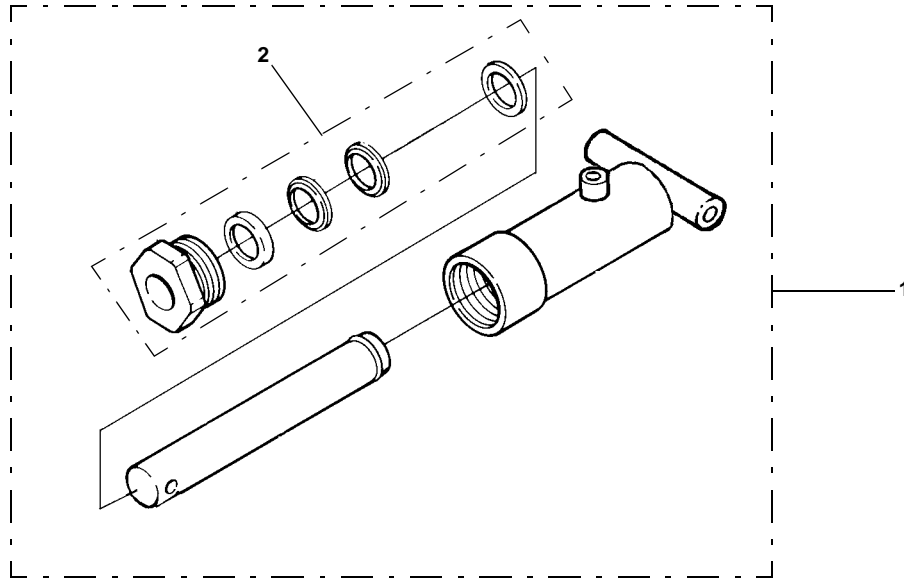


HYDRAULIC POWER UNIT DOWN PRESSURE SYSTEM

ITEM	PART NO.	DESCRIPTION	QTY
1		Valve Assembly.....	1
2	96106273	Valve, Check.....	1
3	96105275	Nut, Coil Retaining.....	6
4		Valve, 10V DC (Red Coil) - Use part 96108341	3
	96108341	Valve, 3-Way, 10V DC (Black Coil)	3
5		Cartridge (Red Coil) - Use part 96108341.....	3
	96108324	Cartridge, 3-Way (Black Coil)	3
6	96105274	Coil 10V DC (Red).....	6
	96108323	Coil, 10V DC (Black).....	6
7		Valve, 10V DC (Red Coil) - Use part 96108342	3
	96108342	Valve, 2-Way, 10V DC (Blue Coil).....	3
8		Cartridge (Red Coil) - Use part 96108342.....	3
	96108325	Cartridge, 2-Way (Blue Coil).....	3
9	96105237	Screw.....	3
10	96105238	Valve, Check.....	2
11	96105239	Valve, Relief, Down Pressure (680-720 psi)	1
12	96105250	Screen, Inline.....	4
13	96105251	Spring, Retaining	4
14	96105240	Fitting, Plug.....	2
15	96105234	Fitting, Plug.....	4
16	96105255	Fitting, Orifice (to adjust drop rate).....	1
	96108627	Kit, Orifice	1
17	96106417	Valve, Relief, Crossover (2400 psi).....	1
18	96100311	Switch, Pressure (525 psi).....	1
19	96105233	Motor, 12V DC	1
20		Bearing, Motor Base.....	1
21	96105232	Base Assembly, Pump.....	1
22	96105313	Parts Kit, Relief Valve	1
23	96105314	O-Ring	2
24	96105315	O-Ring	1
25	96105316	O-Ring	1
26	96105317	Seal, Shaft	1
27	96105735	Pump Assembly.....	1
28		Screw, Socket Head Cap.....	4
29	96105246	Tube, Suction.....	1
30	96105245	Filter.....	1
31	96105241	Reservoir	1
32	96105244	Filler Cap	1
33	96105231	Clamp	1
34	96105249	Tube, Return	1
35	96105318	Filter, Return.....	1
36	96105312	Brush Replacement Kit.....	2
37	96111171	Coil, 10V DC (Blue)	3

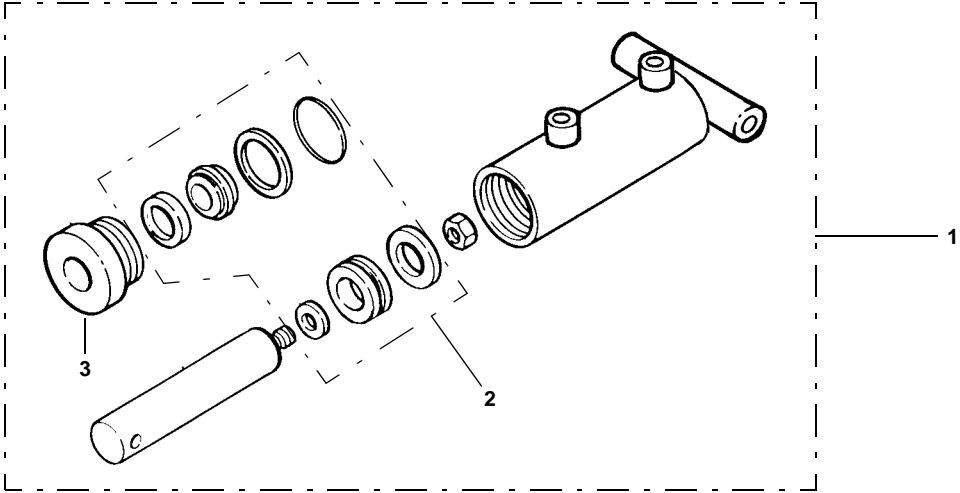
NOTES

LIFT CYLINDER GRAVITY DOWN SYSTEM



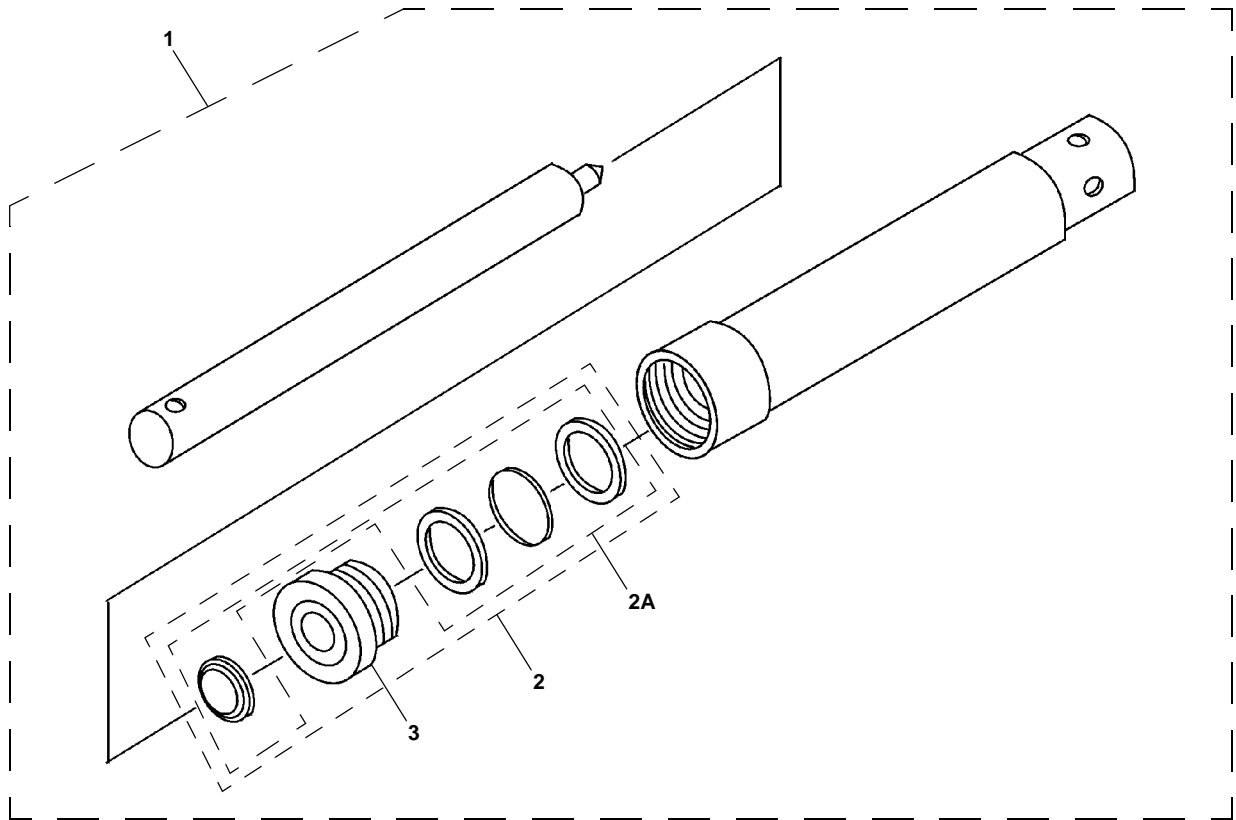
ITEM	PART NO.	DESCRIPTION	QTY
1	96106076	Cylinder, Lift, 2" (Single Action)	1
2	96106674	Kit, Lift Cylinder Gland Nut and Seal	1
		O-Ring	1
		Seal, Rod	1
		Ring, Guide	1
		Seal, Wiper	1
		Nut, Gland	1

LIFT CYLINDER DOWN PRESSURE SYSTEM



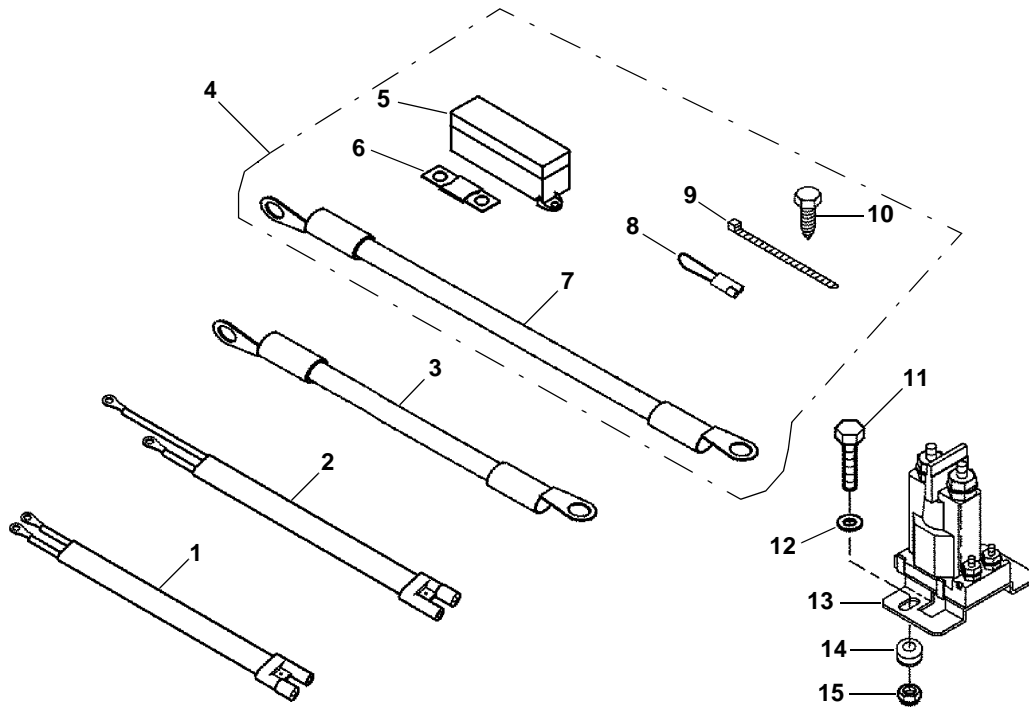
ITEM	PART NO.	DESCRIPTION	QTY
1	96106077	Cylinder, Lift, 2-1/2" (Double Action)	1
2	96101516	Kit, Seal, For 2-1/2" Cylinder	1
3	96100492	Nut, Gland, For 2-1/2" Cylinder	1

ANGLE CYLINDERS



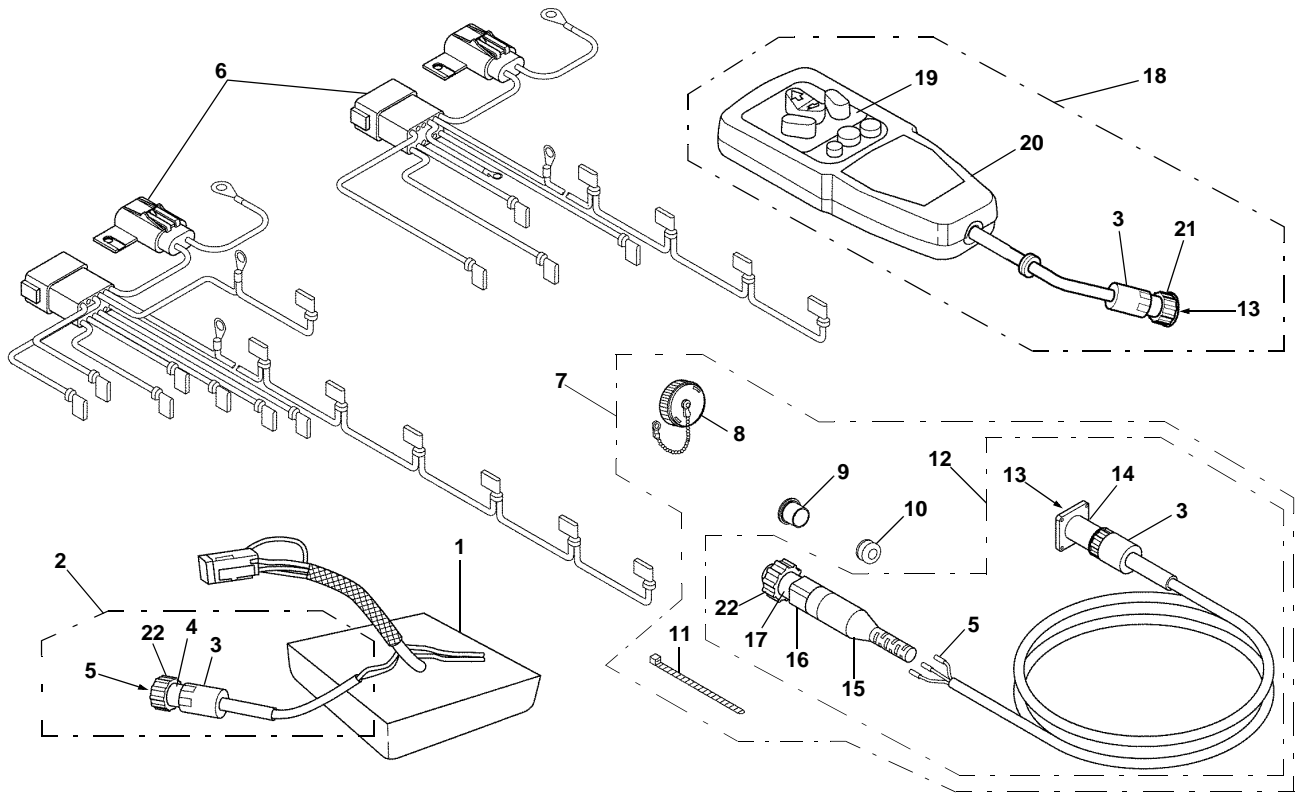
ITEM	PART NO.	DESCRIPTION	QTY
1	96110953	Cylinder, Swing, 1-1/2" (future use will replace 96106078)	2
2	96106330	Kit, Swing Cylinder Gland Nut & Seal (for current cylinder)	1
		O-ring	1
		Seal, Rod.....	1
		Ring, Guide, 1-1/2"	1
		Seal, Wiper.....	1
		Gland Nut	1
2A	96111176	Kit, Swing Cylinder Seal (for future use with 96110953)	1
		O-ring	2
		Seal, Rod.....	1
		Wiper	1
		Ring, Guide	1
3	96111177	Gland Nut (for future use with 96110953)	1

POWER PACK WIRING



ITEM	PART NO.	DESCRIPTION	QTY
1	96104221	Harness, Battery Power	1
2	96104230	Harness, Plow Power	1
3	96105273	Harness, Solenoid - HT Series	1
4	96105167	Bag Power Harness Parts	1
5	96109143	Fuse Holder	1
6	96109142	Fuse, 250 Amp	1
7	96102891	Cable, Power	2
8	96105082	Cap, Protective	2
9	96001227	Strap, Tie Plastic	2
10	98100037	Screw, Self Tapping, #10-16 x 1"	4
11	98100391	Capscrew, Hex, 1/4"-20 x 7/8"	2
12	98100254	Washer, Flat, 1/4"	2
13	96002086	Switch, Solenoid	1
14	96105282	Grommet, 3/8" ID	2
15	98100255	Nut, Hex Head Nylock, 1/4"-20	2

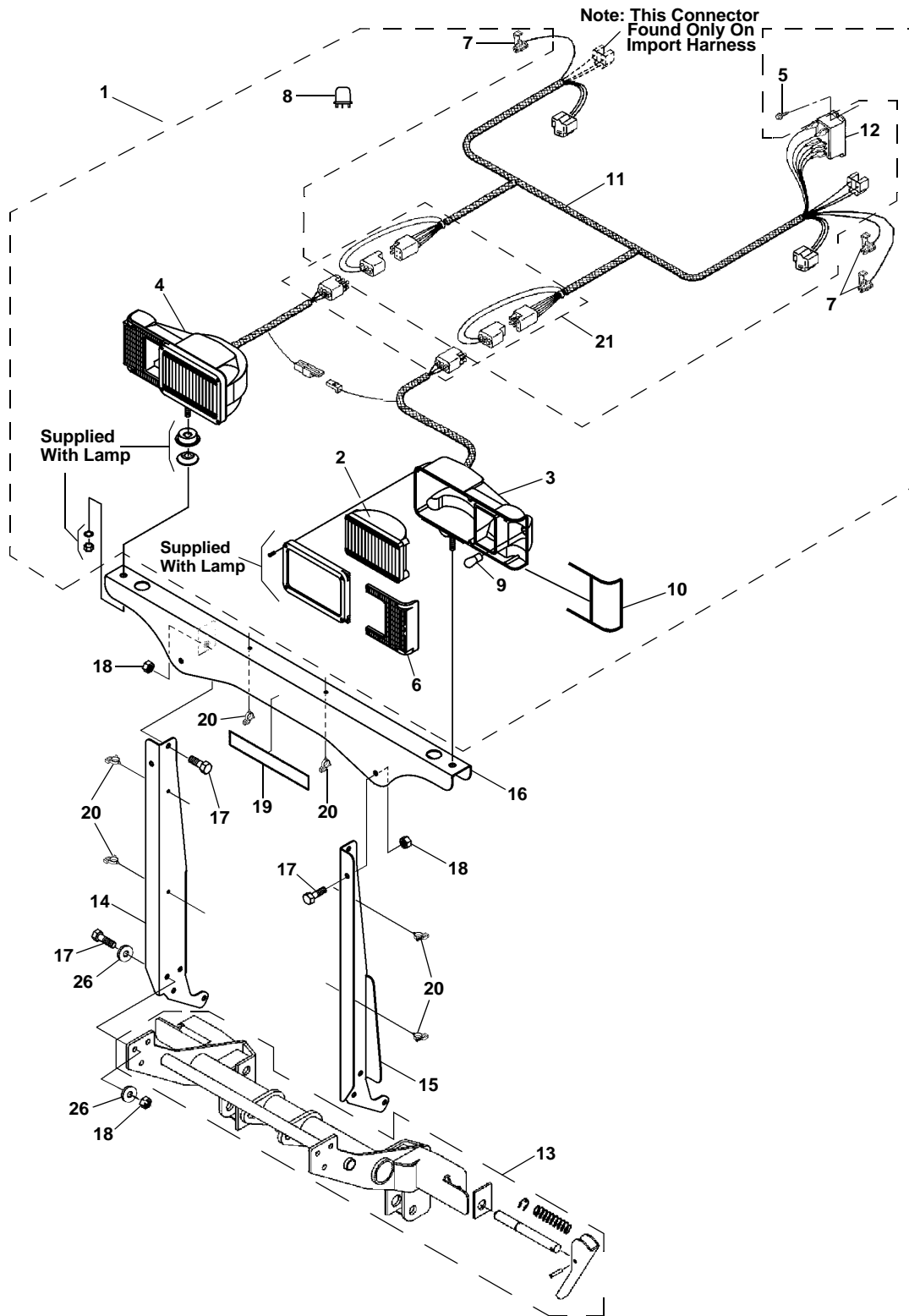
CONTROL SYSTEM WIRING



ITEM	PART NO.	DESCRIPTION	QTY
1	96105084	Module, Wired Control	1
	96107734	Module, Wireless Control	1
2	96105487	Harness Repair Kit	1
3	96105709	Clamp, Cable	3
4	96105418	Connector, Plug	1
5	96105370	Contact, Signal Socket	6
6	96105131	Harness, Solenoids - Gravity Down	1
	96108247	Harness, Solenoids - Down Pressure	1
7	96105081	Bag, Harness Controls	1
8	96105300	Cap, Screw-On	1
9	96105284	Cap, 1/2"	1
10	96104893	Grommet, 5/16" ID	1
11	96001227	Strap, Plastic Tie	5
12	96105101	Harness, Vehicle	1
13	96105416	Contact, Signal Pin	6
14	96105710	Connector, Receptacle, Flanged	1
15	96105419	Boot, Cable	1
16	96105420	Grip, Cable	1
17	96105708	Connector, Plug, Unsealed	1
18	96107354	Controller Assembly	1
	96107355	Controller Assembly, Wireless	1
19	96107356	Touch Pad, Straight Blade	1
20	96105299	Housing, Controller, Complete	1
21	96105417	Connector, Receptacle	1
22	96106533	Coupling Ring	2
23	96107382	Controller, Joystick, Str, Wired (not shown)	1
	96106472	Controller, Joystick, Str, Wireless (not shown)	1
24	96105325	Insertion Tool for Circular Connectors (not shown)	1
25	96105404	Extraction Tool for Circular Connectors (not shown)	1
26	96105877	Kit, Connector Repair (not shown) (includes (3) #3, (1) #4, (6) #5, (6) #13, (1) #14, (1) #15, (1) #16, (1) #17, (1) #21, (1) #24 & (1) #25)	1

AUXILIARY LIGHTS

**S.N. : 32D100000 - 102149, 32G100000 - 100299,
32C100000 - 100049**

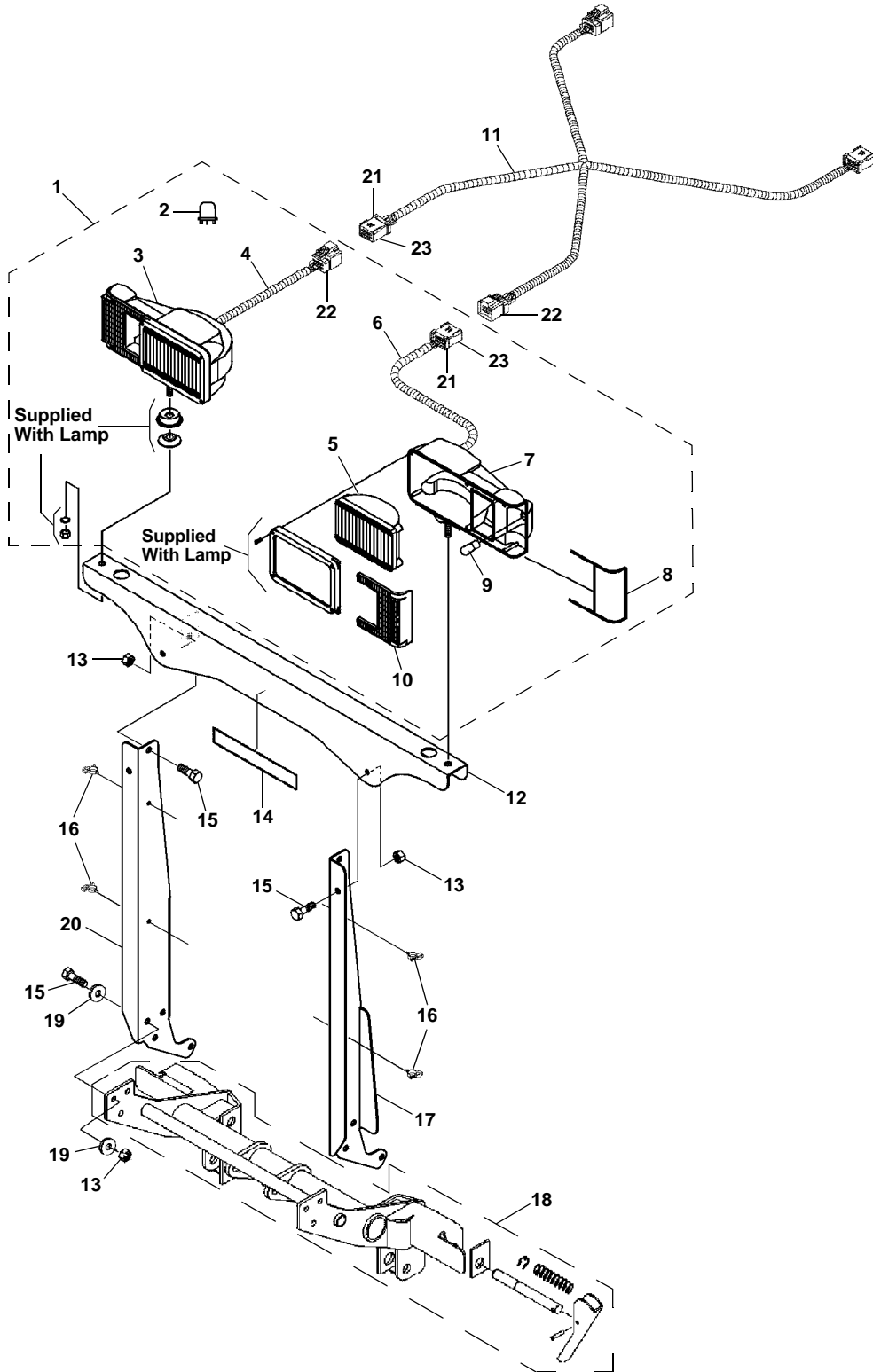


AUXILIARY LIGHTS
S.N. : 32D100000 - 102149, 32G100000 - 100299,
32C100000 - 100049

ITEM	PART NO.	DESCRIPTION	QTY
1	96106606	Kit, Lamp	1
2	96100514	Lamp, Sealed Beam	2
3	96106690	Light, Assembly, LH	1
4	96106691	Light, Assembly, RH	1
5	98100037	Screw, Self Tapping #10-16 x 1"	2
6	96106692	Lens, Turn Signal	2
7	96002039	Scotch Lock™ Connector	3
8	96003010	Flasher	1
9	96003060	Lamp, Park & Turn	2
10	96106693	Gasket, Turn Signal	2
11	99100196	Harness, Wiring, Standard	1
	99100197	Harness, Wiring, Import	1
12	96101536	Relay, DPDT	1
13	96107400	Assembly, Light/Lift Bar, Quick-Attach	1
14	96108629	Support, RH, 32 Series	1
	96108631	Support, RH, 29 Series	1
15	96108628	Support, LH, 32 Series	1
	96108630	Support, LH, 29 Series	1
16	96108030	Assy., Light Bar	1
17	98009022	Capscrew, Hex., 3/8"-16 x 1"	10
18	98009009	Nut, Hex., Nylock, 3/8"-16	10
19	97100882	Decal, Sno-Way	1
20	96100440	Clip, Rosebud	4
21	96102116	Kit, Plug Repair	1
22		Connector, Male End	2
23		Connector, Female End	2
24		Connector, Butt	24
25		Tube, Shrink	24
26	98009032	Washer, Flat, 3/8"	6

AUXILIARY LIGHTS

S.N. AFTER: 32D102150, 32G100300, 32C100050, 29D100000,
29G100000, 29C100000, 29TG100000, 29TD100000, 29TC100000



AUXILIARY LIGHTS

**S.N. AFTER: 32D102150, 32G100300, 32C100050, 29D100000,
29G100000, 29C100000, 29TG100000, 29TD100000, 29TC100000**

ITEM	PART NO.	DESCRIPTION	QTY
1	96107893	Kit, Lamp, EIS	1
2	96003010	Flasher	1
3	96107984	Light, Assembly, RH, EIS	1
4	96107986	Harness, Plow Light, RH, EIS	1
5	96100514	Lamp, Sealed Beam	2
6	96107985	Harness, Plow Light, LH, EIS	1
7	96107983	Light, Assembly, LH, EIS	1
8	96106693	Gasket, Turn Signal	2
9	96003060	Lamp, Park & Turn	2
10	96106692	Lens, Turn Signal	2
11	96107894	Harness, Main Light, EIS*	1
12	96108030	Assy., Light Bar	1
13	98009009	Nut, Hex., Nylock, 3/8"-16	12
14	97100882	Decal, Sno-Way	1
15	98009022	Capscrew, Hex., 3/8"-16 x 1"	12
16	96100440	Clip, Rosebud	4
17	96108628	Support, LH, 32 Series	1
18	96108630	Support, LH, 29 Series	1
19	96107400	Assembly, Light/Lift Bar, Quick-Attach	1
20	98009032	Washer, Flat, 3/8"	8
21	96108629	Support, RH, 32 Series	1
22	96108631	Support, RH, 29 Series	1
23	96108116	Connector, Male	2
24	96108117	Connector, Female	2
25	96108600	Clip, Secondary Lock	2

* NOTE: Adapter required. See Application Guide

NUMERICAL INDEX

PART NO.	PAGE	ITEM	PART NO.	PAGE	ITEM	PART NO.	PAGE	ITEM
96001227	23	9	96105274	16	6		6	53
	24	11		18	6	96106273	16	2
96001392	4	65	96105275	16	3		18	2
96002039	26	7		18	3	96106307	10	7
96002086	23	13	96105282	23	14	96106308	10	7
96003010	26	8	96105284	24	9	96106309	10	7
	28	2	96105299	24	20	96106330	22	2
96003060	26	9	96105300	24	8	96106353	10	6
	28	9	96105312	16	32	96106354	10	6
96100001	13	3		18	36	96106355	10	6
	14	3	96105313	16	20	96106356	10	4
96100311	18	18		18	22	96106357	10	4
96100440	26	20	96105314	16	19	96106358	10	4
	28	16		18	23	96106375	8	15
96100492	21	3	96105315	16	21	96106417	16	14
96100514	26	2		18	24		18	17
	28	5	96105316	16	22	96106472	24	23
96101516	21	2		18	25	96106533	24	22
96101536	26	12	96105317	16	18	96106605	4	40
96101891	4	50		18	26		6	24
	6	45	96105318	16	31	96106606	26	1
96102116	26	21		18	35	96106663	8	4
96102168	4	33	96105325	24	24	96106664	8	4
	6	38	96105370	24	5	96106665	8	6
96102542	8	10	96105404	24	25	96106666	8	6
	10	10	96105410	10	15	96106667	8	6
	12	21	96105416	24	13	96106668	8	7
96102891	23	7	96105417	24	21		12	33
96104221	23	1	96105418	24	4	96106669	8	7
96104230	23	2	96105419	24	15		12	33
96104893	24	10	96105420	24	16	96106670	10	6
96105046	4	10	96105457	4	61	96106671	10	6
96105081	24	7	96105487	24	2	96106672	10	6
96105082	23	8	96105618	4	34	96106674	20	2
96105084	24	1		6	36	96106690	26	3
96105101	24	12	96105619	4	21	96106691	26	4
96105131	24	6		6	16	96106692	26	6
96105167	23	4	96105708	24	17		28	10
96105231	16	30	96105709	24	3	96106693	26	10
	18	33	96105710	24	14		28	8
96105232	16	17	96105735	16	23	96106696	8	1
	18	21		18	27		10	1
96105233	16	15	96105877	24	26		12	1
	18	19	96105959	4	47	96107106	12	15
96105234	16	10		6	30	96107125	4	5
	18	15	96106069	13	2		6	4
96105237	16	9		14	2	96107128	4	12
	18	9	96106070	13	4		6	7
96105238	18	10		14	4	96107130	4	14
96105239	18	11	96106071	13	5		6	9
96105240	18	14		14	5	96107132	12	30
96105241	16	28	96106073	4	1	96107208	12	3
	18	31		6	1	96107221	12	8
96105244	16	29	96106074	13	1	96107329	4	11
	18	32	96106075	14	1		6	6
96105245	16	27	96106076	4	35	96107332	8	6
	18	30		6	37	96107354	24	18
96105246	16	26		20	1	96107355	24	18
	18	29	96106077	4	35	96107356	24	19
96105249	16	25		6	37	96107365	12	7
	18	34		21	1	96107374	12	2
96105250	16	12	96106090	4	56	96107382	24	23
	18	12		6	51	96107396	4	60
96105251	16	13	96106102	16	11	96107400	4	5
	18	13	96106144	4	17		6	4
96105255	18	16		6	13		26	13
96105273	23	3	96106184	4	66		28	18

NUMERICAL INDEX

PART NO.	PAGE	ITEM	PART NO.	PAGE	ITEM	PART NO.	PAGE	ITEM
96107434	12	19		6	50	98009053	12	6
96107503	12	30		22	1	98009075	12	5
96107673	12	4	96111171	16	33	98009078	4	63
96107711	4	41		18	37	98009085	4	19
	6	25	96111176	22	2A		6	14
96107734	24	1	96111177	22	3		12	12
96107767	4	30	97100001	4	54	98009114	4	37
	6	21		6	49		6	40
96107768	4	30	97100005	4	38	98009134	4	59
	6	21		6	42	98009150	12	32
96107893	28	1	97100018	8	3		13	7
96107894	28	11		10	3		14	7
96107935	12	26		12	17	98009169	4	9
96107936	12	26	97100400	4	6		8	14
96107937	12	26		6	5		10	14
96107938	12	26	97100750	4	2		12	25
96107939	12	26		6	2	98009171	8	9
96107940	12	26	97100752	4	2		10	9
96107950	12	28		6	2		12	34
96107951	12	28	97100876	4	36	98019176	4	70
96107983	28	7		6	41		6	57
96107984	28	3	97100879	8	5	98019230	4	71
96107985	28	6		10	5		6	58
96107986	28	4		12	27	98100006	4	57
96108030	26	16	97100880	8	5		6	52
	28	12		10	5	98100007	4	39
96108116	28	21		12	27		6	39
96108117	28	22	97100882	26	19	98100010	4	27
96108247	24	6		28	14		6	18
96108323	16	6	97100986	4	3	98100037	23	10
	18	6		6	3		26	5
96108324	16	5	97101087	4	4	98100040	4	52
	18	5		6	59		6	48
96108325	16	8	98009003	4	72	98100062	4	28
	18	8		6	15		6	19
96108341	16	4		12	40	98100095	12	10
	18	4	98009005	8	13	98100165	12	14
96108342	16	7		10	13	98100172	4	22
	18	7		12	24		6	34
96108497	12	37	98009009	4	53	98100176	4	25
	12	38		6	47		6	17
96108498	12	39		12	20	98100254	23	12
96108600	28	23		26	18	98100255	4	51
96108627	16	11		28	13		6	46
	18	16	98009013	4	23		23	15
96108628	26	15		6	33	98100263	12	31
	28	17		8	8	98100264	13	6
96108629	26	14		10	8		14	6
	28	20		12	11	98100266	4	69
96108630	26	15		12	35		6	56
	28	17	98009022	4	68	98100294	4	67
96108631	26	14		6	55		6	54
	28	20		12	29	98100300	4	18
96108873	4	8		26	17		6	12
	6	60		28	15	98100312	4	13
96108874	4	7	98009027	4	48		6	8
	6	61		6	43	98100313	4	16
96108876	4	58	98009029	4	49		6	11
	12	36		6	44	98100315	4	62
96109013	4	15	98009030	4	20	98100319	12	9
	6	10		12	13	98100324	4	29
96109142	23	6	98009032	4	42		6	20
96109143	23	5		6	26	98100390	4	24
96109981	4	60		26	26		6	28
96110394	4	26		28	19	98100391	23	11
	6	35	98009034	12	18	99100196	26	11
96110953	4	55	98009037	4	64	99100197	26	11

SNO-WAY® INTERNATIONAL, INC.

SNO-WAY®
SNOW & ICE CONTROL EQUIPMENT

Hartford, WI 53027 USA
Website: www.snoway.com
©2007 Sno-Way® International