

SNO-WAY[®]

SNOW & ICE CONTROL EQUIPMENT

SERVICE PARTS MANUAL

HTV SERIES SNOW PLOW
FOR SERIAL NUMBERS AFTER
HTV200000

TABLE OF CONTENTS

	Page
DEFLECTORS	2
POWER PACK FRAME	4
LIFT CYLINDER - DP	5
LIFT CYLINDER - GRAVITY	6
ANGLE CYLINDERS	7
BLADES	9
HYDRAULIC SYSTEM - DP	11
HYDRAULIC SYSTEM - GRAVITY	12
HYDRAULIC POWER UNIT - DP AND GRAVITY	13
HYDRAULIC POWER UNIT - DP (MANIFOLD ASSEMBLY)	15
HYDRAULIC POWER UNIT - GRAVITY (MANIFOLD ASSEMBLY)	17
POWER PACK WIRING	19
CONTROL SYSTEM WIRING	20
NUMERICAL INDEX	21

PARTS LIST INTRODUCTION

Our dealership network stands by to provide you with any assistance you may require, including genuine Sno-Way service parts. All parts should be obtained from or ordered through your dealer. Give complete information about the part as well as the Model Number and Serial Number of your machine.

Record the Serial Number in the space provided in your Owner's Manual for quick reference. The Serial Number for the unit is on a plate located on the left frame gusset of the Hopper Frame.

"Right" and "Left" are determined from a position sitting on the Operators Seat of the vehicle.

We reserve the right to make changes or improvements in the design or construction of any part without incurring the obligation to install such changes in any unit previously delivered.

USING THIS PARTS LIST

Below is parts listing with four columns. The first column is the "ITEM", the second is the "PART NUMBER", The third is the "DESCRIPTION" and the fourth is the "QUANTITY".

The "**ITEM**" is the number used in the corresponding illustration.

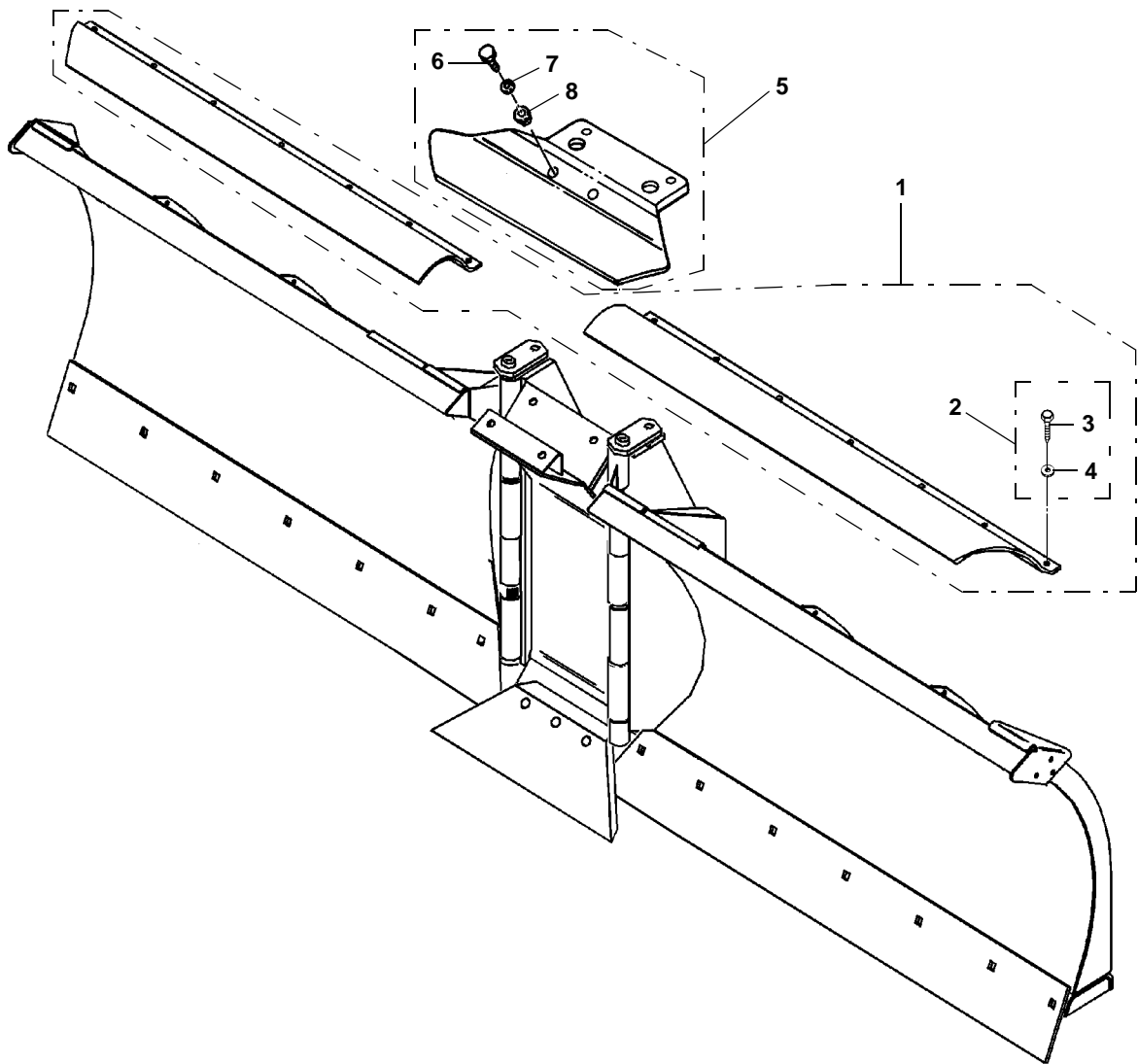
The "**PART NO.**" is the number used to order replacement parts. If a number does not appear in the column the part is only available by ordering the complete assembly.

The "**DESCRIPTION**" is the name of the replacement part. At times the name may be indented, this means that the indented parts are part of the preceding assembly.

The "**QTY.**" is the quantity needed to service the assembly illustrated, not the complete product.

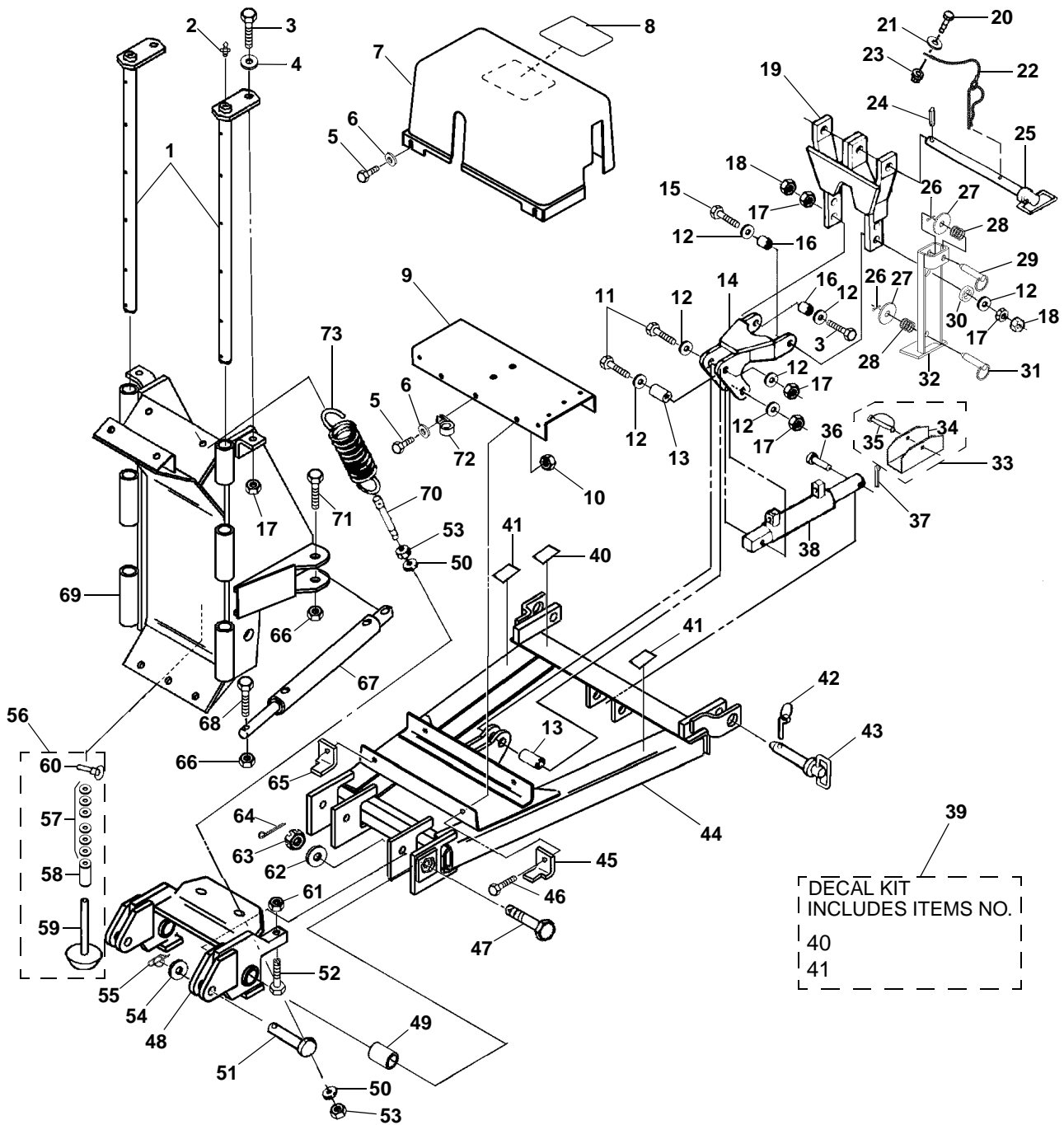
ITEM	PART NO.	DESCRIPTION	QTY.
196100083	O-ring	1	
296001529	Elbow	3	
398100036	Capscrew, Hex., 3/8"-16NC x 7/8"9		

DEFLECTORS



ITEM	PART NO.	DESCRIPTION	QTY
1	96102605	Wing Deflector Kit (99" Plow)(Includes Mtg. Hdwr.).....	1
	96102606	Wing Deflector Kit(109" Plow)(Includes Mtg. Hdwr.).....	1
2	96102482	HARDWARE KIT (Wing Deflectors).....	1
3	98019176	Screw, Self Tapping, 5/16" x 1"	14
4	98019230	Washer, Plain, 5/16"	14
5	96102604	Deflector, Center, (Includes Mtg. Hdwr.)	1
6	98100167	Cap Screw, Hex, 5/16"-18NC x 2"	2
7	98019230	Washer, Plain 5/16"	2
8	96102938	Spacer	2

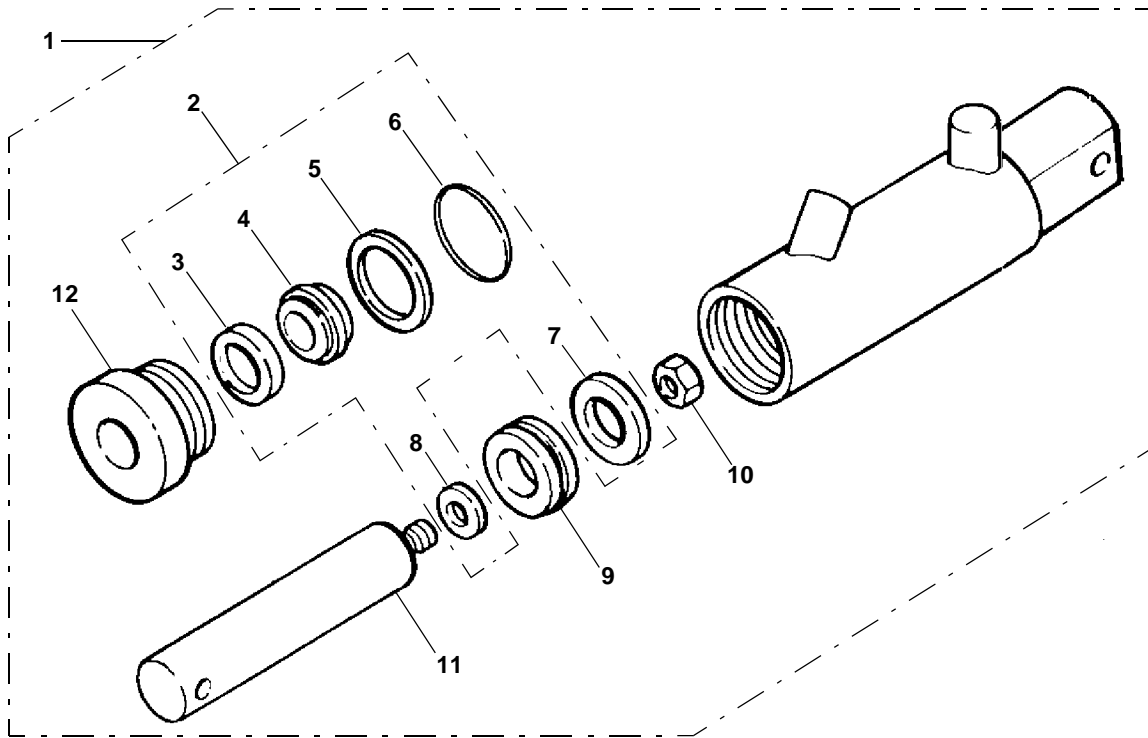
POWER PACK FRAME



POWER PACK FRAME

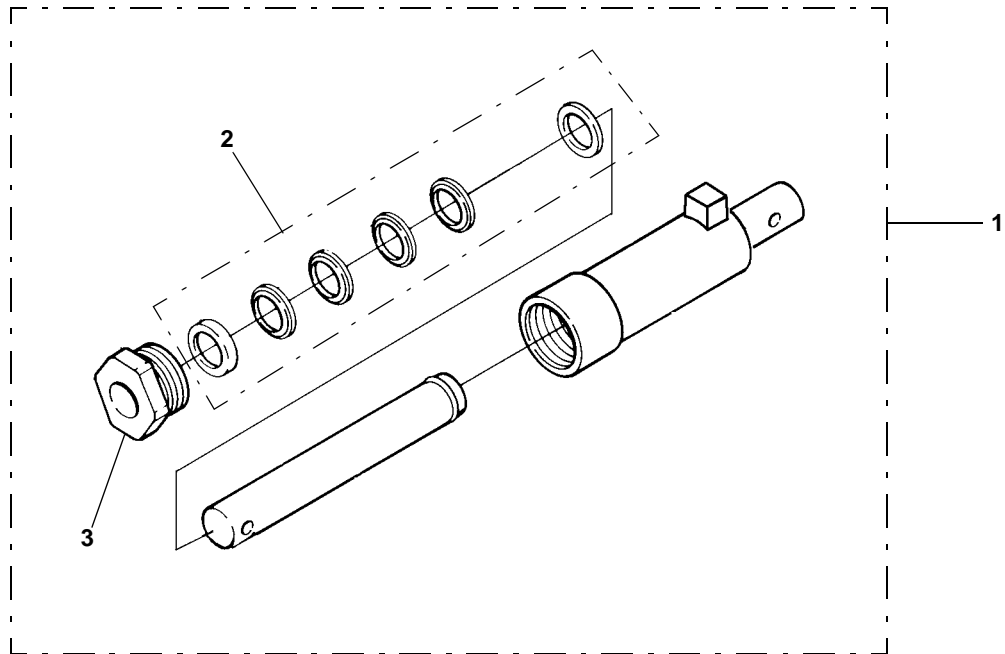
ITEM	PART NO.	DESCRIPTION	QTY
1	96101833	Pin, Pivot	2
2	98100098	Zerk, 1/8"NPT	2
3	98100010	Cap Screw, Hex, 1/2"-13 NC x 2"	3
4	98009011	Washer, Flat, 1/2"	2
5	98019176	Screw, Flanged Head, Self-Tapping, Black, 5/16" x 1"	3
6	98019230	Washer, Plain, 5/16", Black	3
7	96105007	Cover, Pump, DP	1
	96106743	Cover, Pump, Gravity	1
8	97100751	Decal, V-Plow System	1
9	96105330	Platform, Pump	1
10	98009009	Nut, Nylock, 3/8"-16 NC	4
11	98009036	Cap Screw, Hex, 1/2"-13 NC x 3-1/2"	2
12	98100176	Washer, Special, Hardened	7
13	96102227	Spacer, Bellcrank	2
14	96102927	Bellcrank	1
15	98100062	Cap Screw, Hex, 1/2"-13 NC x 2-1/4"	1
16	96102271	Spacer, Lift Link	2
17	98009013	Nut, Nylock, 1/2"-13 NC	6
18	98100172	Nut, Hex, Jam, 1/2"-13 NC	2
19	96105461	Link, Lift	1
20	98019027	Cap Screw, Hex, 1/4"-20 NC x 1"	1
21	98100254	Washer, Flat, 1/4"	1
22	96105044	Lanyard & Pin Ass'y	1
23	98100255	Nut, Hex, Nylock, 1/4"-20 NC	1
24	98100008	Roll Pin	1
25	96104713	Long Hitch Pin	1
26	98100105	Pin, Cotter, 1/8" x 1"	2
27	98100104	Washer, 3/8"	2
28	96102130	Spring, Latch	2
29	96103519	Pin, Latch	1
30	96102168	Spacer, Stand	1
31	96102131	Pin, Latch	1
32	96103524	Ass'y, Jackstand	1
33	96105278	Ass'y, Cylinder Lock Clamp, 1-1/2" (DP)	1
	96105279	Ass'y, Cylinder Lock Clamp, 2" (GRAVITY)	1
34		Cylinder Lock Clamp	1
35		Pin, Wire Lock	1
36	98100007	Pin, Clevis, 3/4" x 4"	1
37	98009085	Pin, Cotter, 5/32" x 1-1/2"	1
38	96100085	Cylinder, Raise, DP	1
		See "LIFT CYLINDER - DP" on page 5	1
	96106869	Cylinder, Raise, Gravity	1
		See "LIFT CYLINDER - GRAVITY" on page 6	1
39	96102370	DECAL KIT	1
40	97100005	Decal, Patent	1
41	97100004	Decal, Important	2
42	98009169	Pin, Lynch, 1/4" x 1-9/16"	2
43	96105046	Pin, Hitch, 3/4" x 2-1/2"	2
44	96105074	Frame, Main	1
45	96102916	Plate, Wear, L.H.	1
46	98009034	Cap Screw, Hex, 3/8"-16 NC x 1-1/4"	4
47	98100169	Screw, Special Pivot	2
48	96103000	Frame, Pivot, With Bushings	1
49	96102832	Bushing	2
50	98009039	Washer, Flat, 5/8"	4
51	98100165	Pin, Clevis, 3/4" x 2-1/2"	2
52	98100164	Screw, Special	2
53	98009078	Nut, 5/8"-11 NC	4
54	98009030	Washer, Flat, 3/4"	2
55	98100099	Pin, Special	2
56	96102542	Shoe Assembly	1
57	98009005	Washer, Flat, 1"	14
58		Spacer, 1"	1
59		Shoe, Cast, 1" Shaft	1
60	98009169	Pin, Lynch, 1/4" x 1-9/16"	1
61	98100157	Nut, Hex, Jam, 5/8"-11 NC	2
62	98100170	Washer, Special	2
63	98009068	Nut, Slotted, 1"-14 NC	2
64	98009069	Pin, Cotter, 5/32" x 2"	2
65	96102915	Plate, Wear, R.H.	1
66	98009038	Nut, Nylock, 5/8"-11 NC	4
67	96101977	Cylinder, Angle See "ANGLE CYLINDERS" on page 7	2
68	98009194	Cap Screw, Hex, 5/8"-11 NC x 4"	2
69	96105260	Frame, Blade Center	1
70	96102781	Eyebolt	2
71	98009042	Cap Screw, Hex, 5/8"-11 x 3-1/2"	2
72	96001531	Clamp, Tube	1
73	96001392	Spring, Trip	2

LIFT CYLINDER - DP



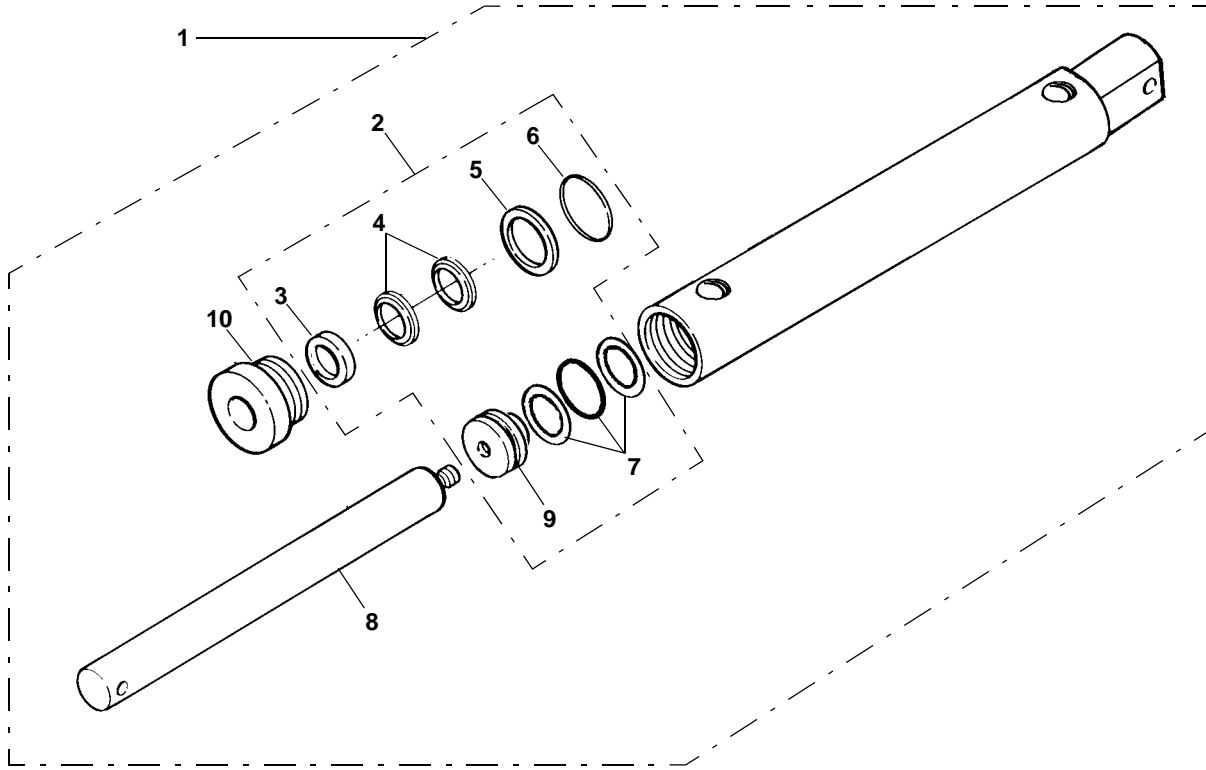
ITEM	PART NO.	DESCRIPTION	QTY
1	96100085	Cylinder, Lift, 2-1/2"	1
2	96101516	Kit, Seal	1
3		Seal, Wiper	1
4		Seal, Rod	1
5		Ring, Back-up	1
6		Seal, O-ring.....	1
7		Seal, Piston.....	1
8		Seal, O-ring.....	1
9		Piston, 2-1/2"	1
10		Nut	1
11		Rod, Cylinder	1
12	96100492	Nut, Gland 2-1/2"	1

LIFT CYLINDER - GRAVITY



ITEM	PART NO.	DESCRIPTION	QTY
1	96106869	Cylinder, Lift, 2" (Single Action).....	1
2	96005046	Kit, Seal, for 2" Cylinder	1
3	96005100	Nut, Gland, for 2" Cylinder (Includes Wiper)	1

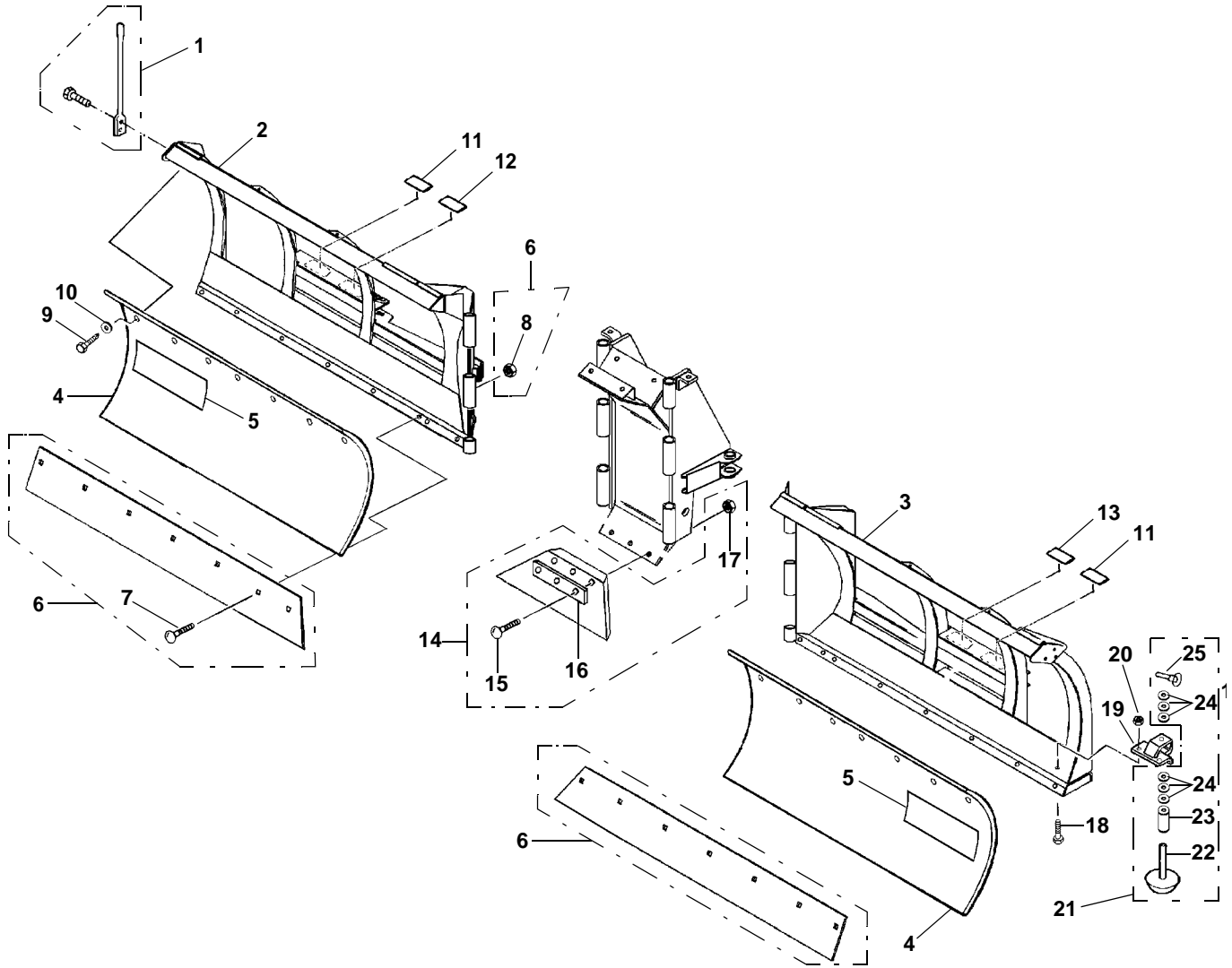
ANGLE CYLINDERS



ITEM	PART NO.	DESCRIPTION	QTY
1	96101977	Cylinder, Angle, 2-1/4"	1
2	96102537	Kit, Seal 2-1/4"	1
3		Wiper, Rod	1
4		Seal, Rod	1
5		Ring, Back Up	1
6		O-Ring	1
7		Seal, Piston	1
8		Rod, Cylinder	1
9		Piston	1
10	96102536	Nut, Gland 2-1/4"	1

NOTES

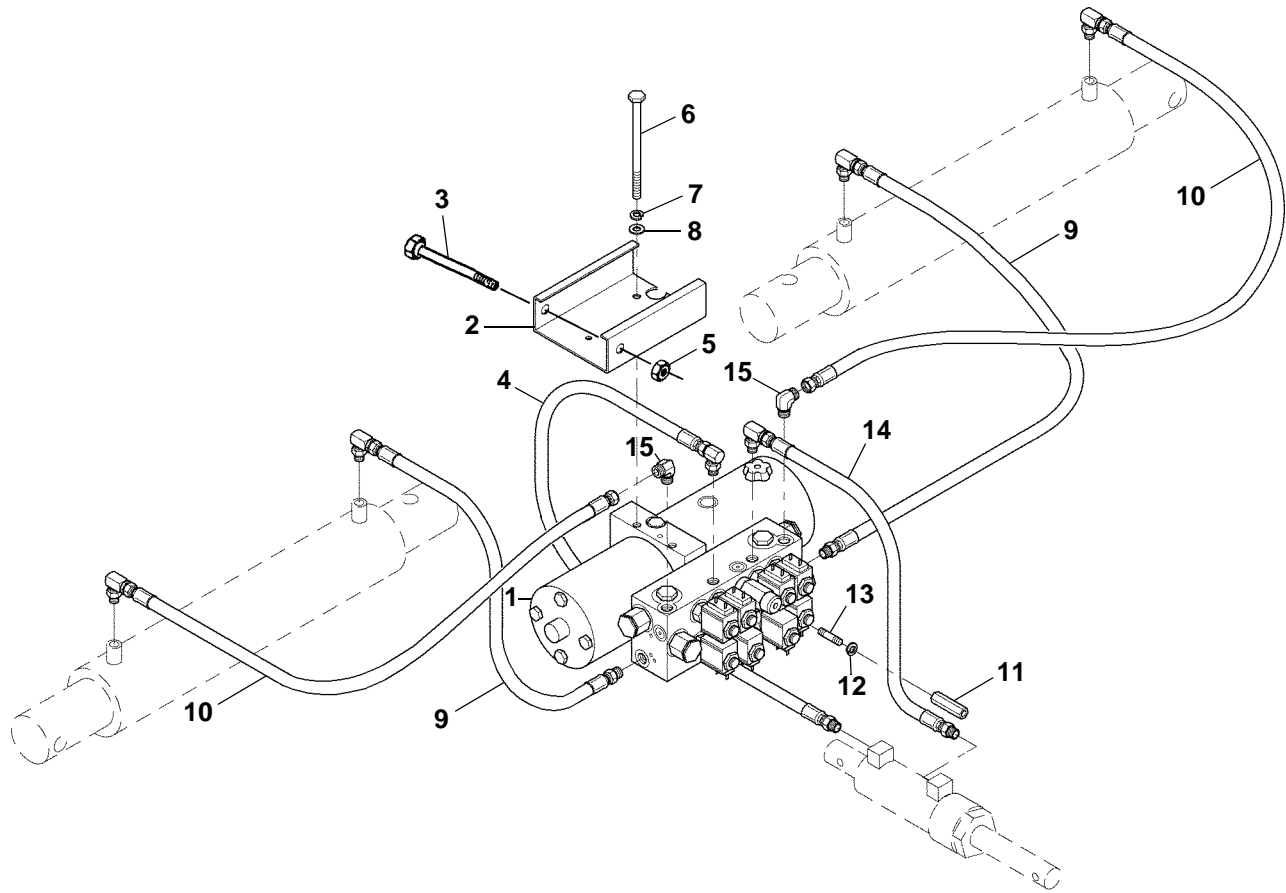
BLADES



BLADES

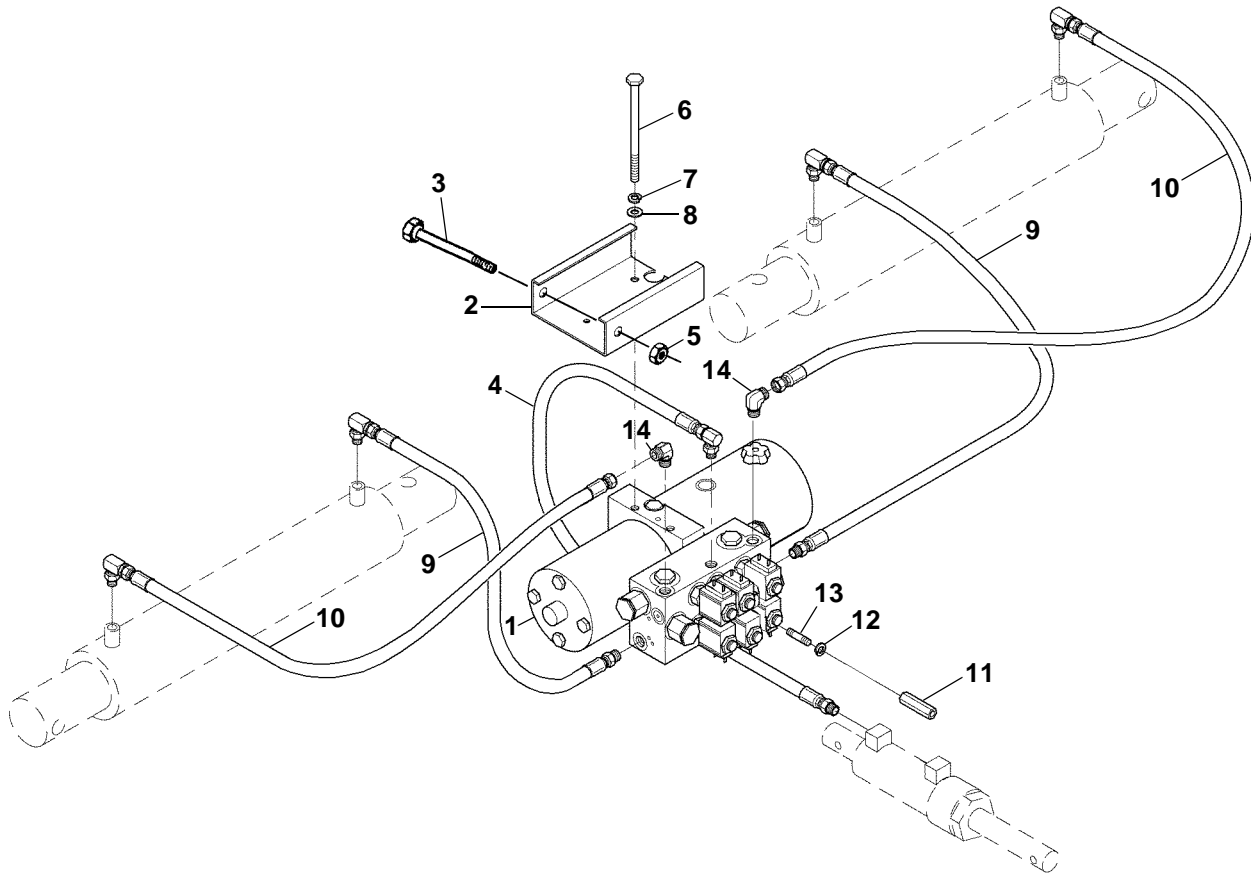
ITEM	PART NO.	DESCRIPTION	QTY
1	96006002	Kit, Guide, Blade (Includes 2 Guides And Mtg. Hdwr.).....	1
2		Frame, 99", RH	1
		Frame, 109", RH.....	1
3		Frame, 99", LH	1
		Frame, 109", LH	1
4	96107342	Kit, Skin, Steel, 8'3" (Bolt On Style) w/ Decal	2
	96107343	Kit, Skin, Steel, 9'1" (Bolt On Style) w/ Decal	2
	96107344	Kit, Skin, SS, 8'3" (Bolt On Style) w/ Decal	2
	96107345	Kit, Skin, SS, 9'1" (Bolt On Style) w/ Decal	2
	96106108	Kit, Lexan Skin, V, 8'3" w/ HDE	1
	96106109	Kit, Lexan Skin, V, 8'3" w/o HDE	2
	96106110	Kit, Lexan Skin, V, 9'1" w/ HDE	1
	96106111	Kit, Lexan Skin, V, 9'1" 2/o HDE	2
5	97100911	Decal, Sno-Way, Steel.....	2
	97100912	Decal, Sno-Way, Lexan	2
6	96103891	Wearstrip Kit, Steel, 99" (Includes Mtg. Hdwr.)	2
	96103892	Wearstrip Kit, Steel, 109" (Includes Mtg. Hdwr.)	2
	NOTE: Each Wearstrip Kit will replace Wearstrip on one Wing only. To replace Wearstrips on both Wings, two Kits are required.		
7	98100171	Bolt, Carriage, Gr. 5, 1/2"-13 NC x 1-3/4".....	16
8	98009013	Nut, Nylock, 1/2" - 13 NC	16
9	98019176	Screw, Self Tapping	10
10	98019230	Washer, Flat, 5/16"	10
11	97100018	Decal, Warning	2
12	97100006	Decal, Important	1
13	97100001	Decal, Warning	1
14	96106033	Wearstrip Kit, Center, Urethane (includes Mtg. Hdwr.).....	1
15	98009151	Bolt, Carriage, Gr. 5, 7/16"-14 NC x 2"	3
16		Strip, Mounting	1
17	98009050	Nut, Nylock 7/16"-14 NC	3
18	98009034	Cap Screw, Hex., 3/8"-16 NC x 1-1/4"	8
19	96101401	Bracket, Shoe	2
20	98009009	Nut, Nylock, 3/8"-16 NC	8
21	96102542	SHOE ASSEMBLY	2
22		Shoe, Cast, 1" Shaft	1
23		Spacer, 1"	1
24		Washer, Flat, 1"	14
25		Pin, Lynch, 1/4" x 1-9/16"	1

HYDRAULIC SYSTEM - DP



ITEM	PART NO.	DESCRIPTION	QTY
1	96104161	Power Unit, HTV	1
2	96105321	Bracket, Controls	1
3	98100266	Hex Head Cap Screw, 1/4"-20 x 5"	1
4	96104243	Hose, Hydraulic, 29.50	1
5	98100255	Nut, Nylock, 1/4"-20.....	1
6	98100276	Hex Head Cap Screw, 3/8"-16 x 6"	2
7	98009008	Lock Washer, 3/8"	2
8	98009032	Flat Washer, 3/8"	2
9	96104246	Hose, Hydraulic, 27.00	2
10	96104247	Hose, Hydraulic, 26.50	2
11	98100278	Standoff, Hex, 5/16"-18 x 2"	2
12	98009025	Lock Washer, 5/16".....	2
13	98100277	Stud, 5/16"-18 x	2
14	96104503	Hose, Hydraulic, 15.50	1
15	96100001	Elbow, 90 DEG	2

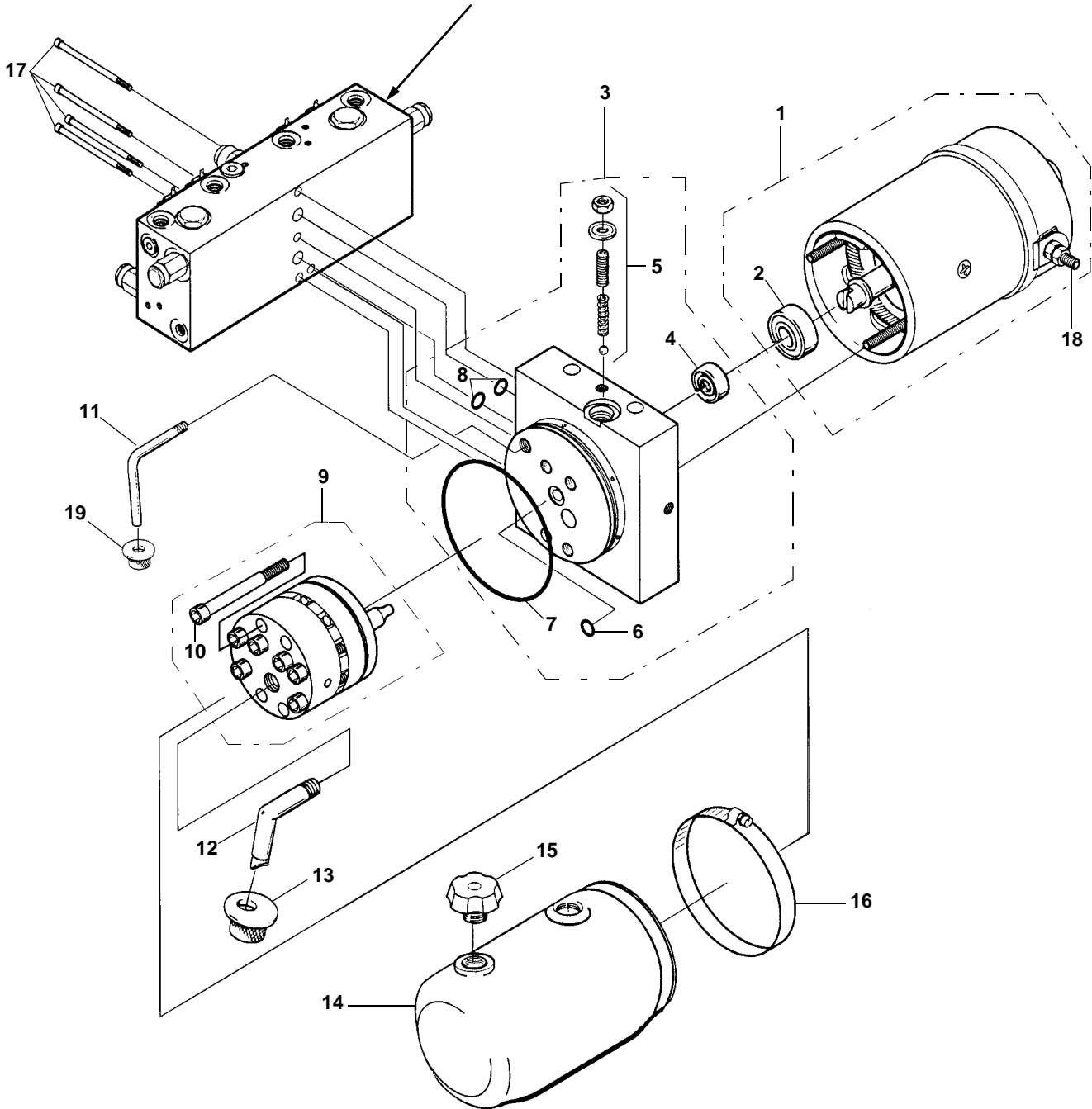
HYDRAULIC SYSTEM - GRAVITY



ITEM	PART NO.	DESCRIPTION	QTY
1	96106723	Power Unit, HTVG,	1
2	96105321	Bracket, Controls	1
3	98100266	Hex Head Cap Screw, 1/4"-20 x 5"	1
4	96104243	Hose, Hydraulic, 29.50	1
5	98100255	Nut, Nylock, 1/4"-20	1
6	98100276	Hex Head Cap Screw, 3/8"-16 x 6"	2
7	98009008	Lock Washer, 3/8"	2
8	98009032	Flat Washer, 3/8"	2
9	96104246	Hose, Hydraulic, 27.00	2
10	96104247	Hose, Hydraulic, 26.50	2
11	98100278	Standoff, Hex, 5/16"-18 x 2"	2
12	98009025	Lock Washer, 5/16"	2
13	98100277	Stud, 5/16"-18 x	2
14	96100001	Elbow, 90 DEG	2

HYDRAULIC POWER UNIT - DP AND GRAVITY

(SEE P. 15 (DP) and 17 (GRAVITY)
FOR VALVE DETAIL)

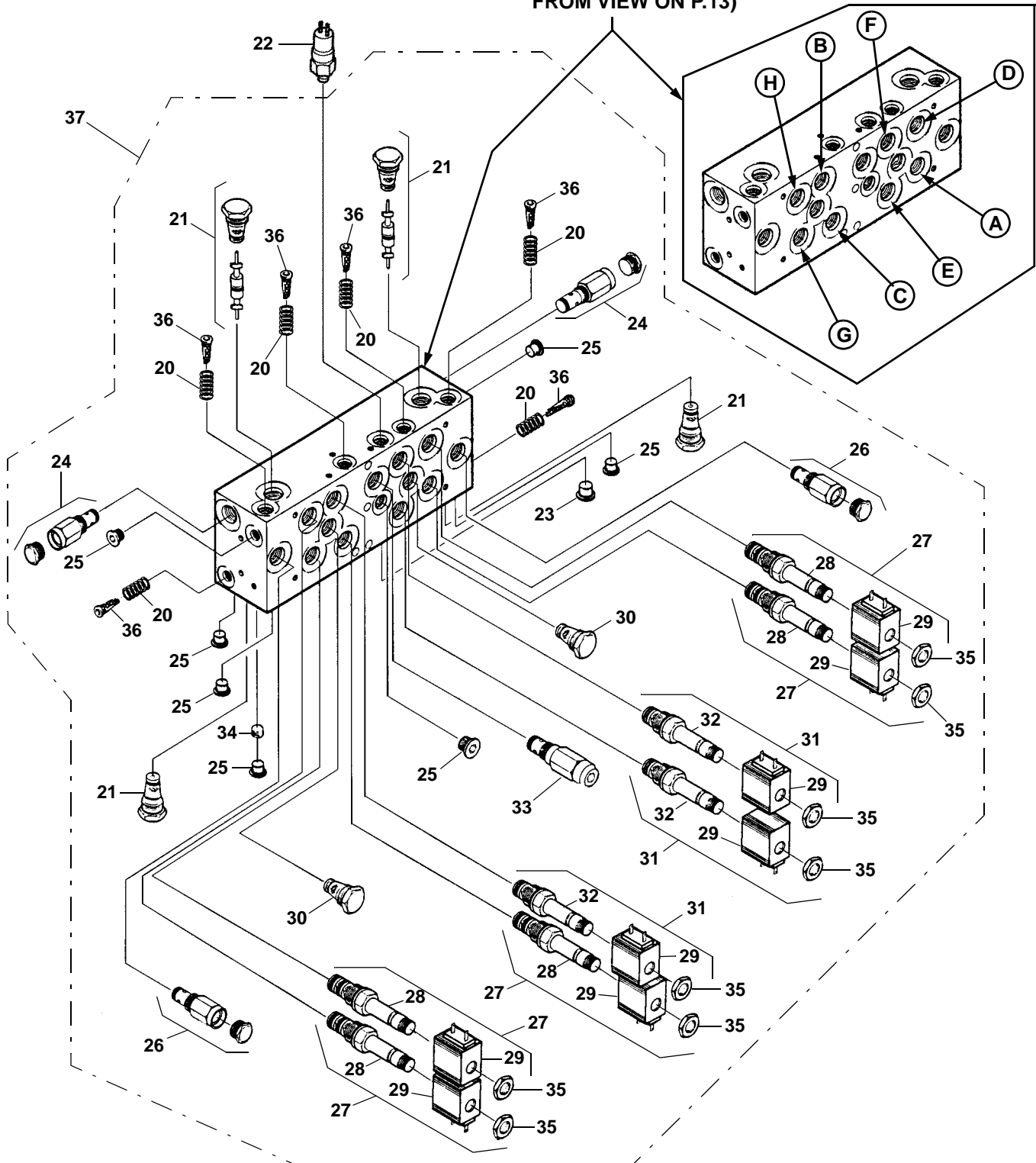


HYDRAULIC POWER UNIT - DP AND GRAVITY

ITEM	PART NO.	DESCRIPTION	QTY
1	96105233	Motor, 12V DC.....	1
2		Bearing, Motor Base	1
3	96105734	Base Ass'y.	1
4	96105317	Seal, Shaft, Heavy Duty	1
5	96105313	Parts Kit, Relief Valve	1
6	96105316	O-Ring	1
7	96105315	O-Ring	1
8	96105314	O-Ring	1
9	96105735	Pump Ass'y., Modular.....	1
10	96105736	Screw, Socket Head 1/4"-20 x 3".....	4
11	96105249	Tube, R.V. Return	1
12	96105737	Tube, Suction.....	1
13	96105245	Filter, Suction	1
14	96105241	Reservoir	1
15	96105244	Filler Cap.....	1
16	96105231	Clamp.....	1
17	96105237	Screw, Socket Head 1/4"-20 x 2-3/4"	4
18	96105312	Brush Replacement Kit, HT.....	1
19	96105318	Filter, Return.....	1

HYDRAULIC POWER UNIT - DP (CONTINUED)

(VALVE ROTATED 180°
FROM VIEW ON P.13)

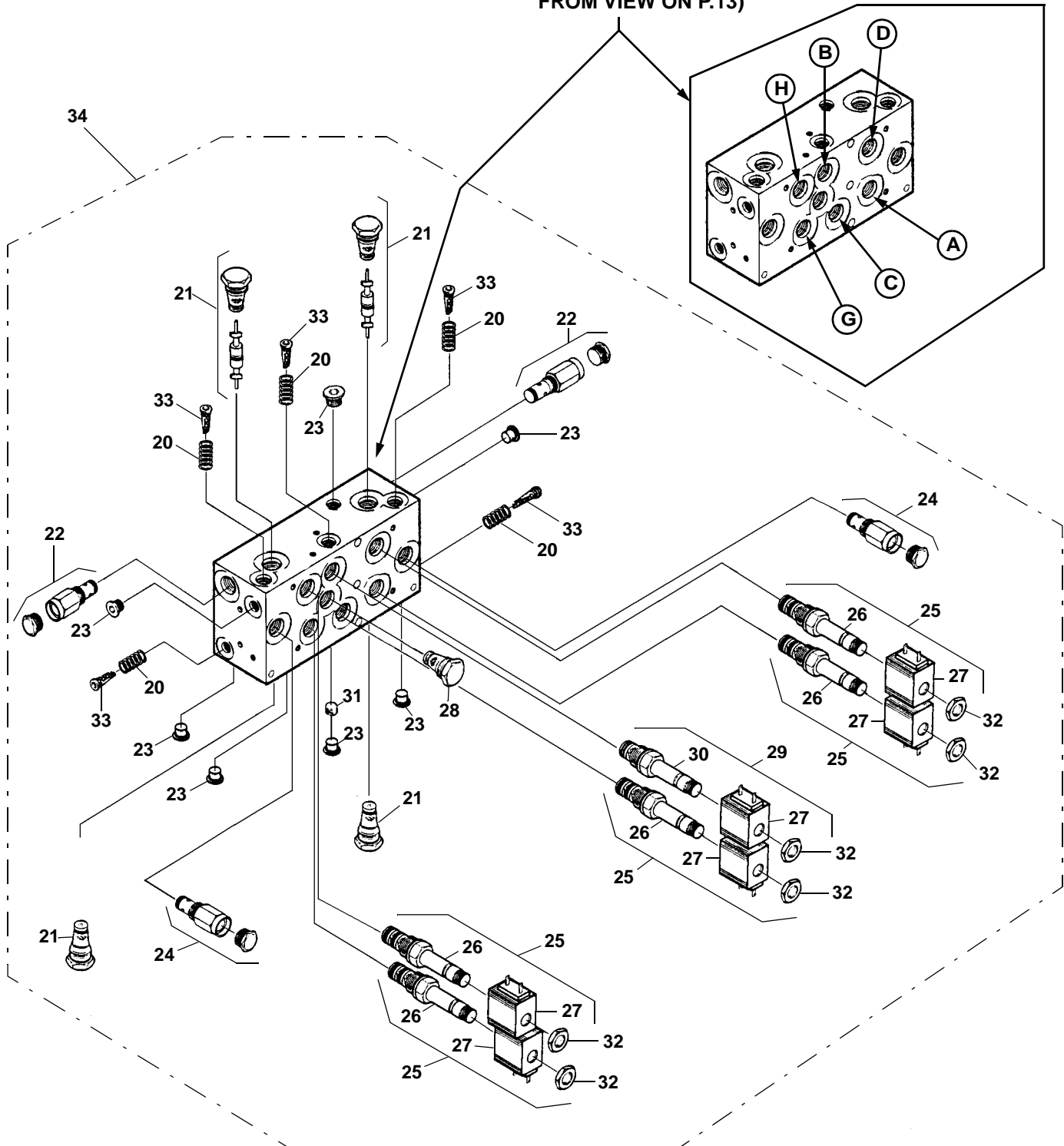


HYDRAULIC POWER UNIT - DP (CONTINUED)

ITEM	PART NO.	DESCRIPTION	QTY
20	96105251	Spring, Retaining.....	6
21	96106273	Valve, Check and Piston Assy.	2
22	96102416	Switch, Pressure, 525 PSI	1
23	96105240	Fitting, Plug	1
24	96105732	Valve, Relief, 2150 PSI.....	2
25	96105234	Fitting, Plug	7
26	96105731	Valve, Relief, 1750 PSI.....	2
27	96108341	Valve, 12V DC	5
28		Use 96108341 (no longer available)	
29	96105274	Coil, 10V DC	8
30	96105238	Valve, Check.....	2
31	96108342	Valve, 12V DC	3
32		Use 96108342 (no longer available)	
33	96105239	Valve, Relief, 680-720 PSI.....	1
34	96105733	Fitting, Orifice	1
	96106006	Kit, Orifice Fitting.....	1
35	96105275	Nut, Coil Retaining	8
36	96105250	Filter, Inline.....	6
37		Valve Ass'y., 12V DC.....	1

HYDRAULIC POWER UNIT - GRAVITY (CONTINUED)

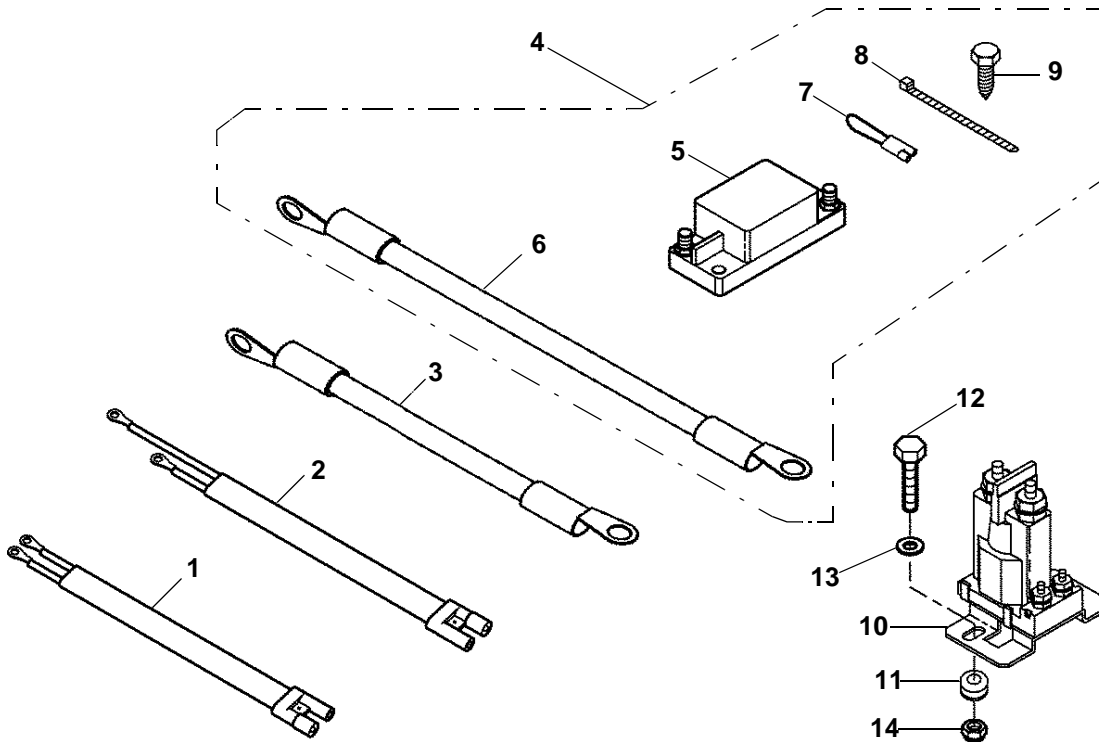
(VALVE ROTATED 180°
FROM VIEW ON P.13)



HYDRAULIC POWER UNIT - GRAVITY (CONTINUED)

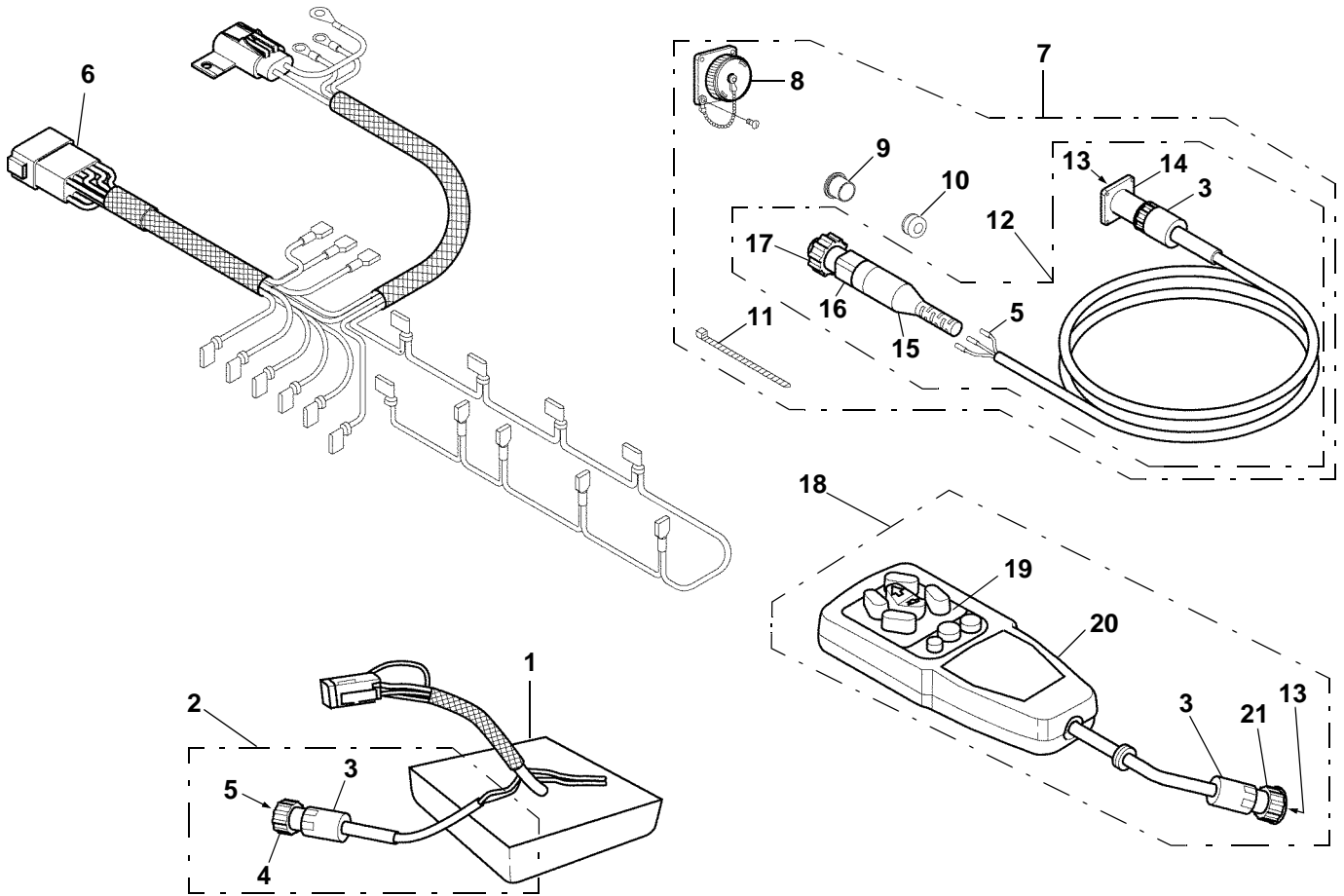
ITEM	PART NO.	DESCRIPTION	QTY
20	96105251	Spring, Retaining.....	6
21	96106273	Valve, Check and Piston Assy.	2
22	96105732	Valve, Relief, 2150 PSI.....	2
23	96105234	Fitting, Plug	6
24	96105731	Valve, Relief, 1750 PSI.....	2
25	96108341	Valve, 12V DC	5
26		Use 96108341 (no longer available)	
27	96105274	Coil, 10V DC	6
28	96105238	Valve, Check.....	1
29	96108342	Valve, 12V DC	3
30		Use 96108342 (no longer available)	
31	96105733	Fitting, Orifice	1
	96106006	Kit, Orifice Fitting.....	1
32	96105275	Nut, Coil Retaining	6
33	96105250	Filter, Inline.....	5
34		Valve Ass'y., 12V DC.....	1

POWER PACK WIRING



ITEM	PART NO.	DESCRIPTION	QTY
1	96104221	Harness, Battery Power.....	1
2	96104230	Harness, Plow Power.....	1
3	96105273	Harness, Solenoid - HT Series.....	1
4	96105167	Bag Power Harness Parts.....	1
5	96101210	Breaker, Circuit, 150A.....	1
6	96102891	Cable, Power.....	1
7	96105082	Cap, Protective.....	2
8	96001227	Strap, Tie Plastic.....	2
9	98100037	Screw, Self Tapping, #10-16 x 1".....	2
10	96002086	Switch, Solenoid.....	1
11	96105282	Grommet, 3/8" ID.....	2
12	98100253	Capscrew, Hex, 1/4"-20 x 1-1/4".....	2
13	98100254	Washer, Flat, 1/4".....	2
14	98100255	Nut, hex Head Nylock, 1/4"-20.....	2

CONTROL SYSTEM WIRING



ITEM	PART NO.	DESCRIPTION	QTY
1	96105083	Module, Wired Control	1
2	96105487	Harness Repair Kit.....	1
3	96105709	Clamp, Cable	3
4	96105418	Connector, Plug	1
5	96105370	Contact, Signal Socket.....	6
6	96108295	Harness, Solenoids, DP.....	1
	96106741	Harness, Solenoids, Gravity.....	1
7	96105081	Bag, Harness Controls.....	1
8	96105300	Cap, Screw-On.....	1
9	96105284	Cap, 1/2"	1
10	96104893	Grommet, 5/16" ID	1
11	96001227	Strap, Plastic Tie	5
12	96105101	Harness, Vehicle	1
13	96105416	Contact, Signal Pin	6
14	96105710	Connector, Receptacle, Flanged.....	1
15	96105419	Boot, Cable	1
16	96105420	Grip, Cable.....	1
17	96105708	Connector, Plug, Unsealed	1
18	96104890	Controller Assembly	1
19	96104681	Touch Pad, V-Plow	1
20	96105299	Housing, Controller (Complete)	1
21	96105417	Connector, Receptacle.....	1

NUMERICAL INDEX

PART NO.	PAGE	ITEM	PART NO.	PAGE	ITEM	PART NO.	PAGE	ITEM
96001227	19	8	96104246	11	9	96105316	14	6
	20	11		12	9	96105317	14	4
96001392	4	73	96104247	11	10	96105318	14	19
96001531	4	72		12	10	96105321	11	2
96002086	19	10	96104503	11	14		12	2
96005046	6	2	96104681	20	19	96105330	4	9
96005100	6	3	96104713	4	25	96105370	20	5
96006002	10	1	96104890	20	18	96105416	20	13
96100001	11	15	96104893	20	10	96105417	20	21
	12	14	96105007	4	7	96105418	20	4
96100085	4	38	96105044	4	22	96105419	20	15
	5	1	96105046	4	43	96105420	20	16
96100492	5	12	96105074	4	44	96105461	4	19
96101210	19	5	96105081	20	7	96105487	20	2
96101401	10	19	96105082	19	7	96105708	20	17
96101516	5	2	96105083	20	1	96105709	20	3
96101833	4	1	96105101	20	12	96105710	20	14
96101977	4	67	96105167	19	4	96105731	16	26
	7	1	96105231	14	16		18	24
96102130	4	28	96105233	14	1	96105732	16	24
96102131	4	31	96105234	16	25		18	22
96102168	4	30		18	23	96105733	16	34
96102227	4	13	96105237	14	17		18	31
96102271	4	16	96105238	16	30	96105734	14	3
96102370	4	39		18	28	96105735	14	9
96102416	16	22	96105239	16	33	96105736	14	10
96102482	2	2	96105240	16	23	96105737	14	12
96102536	7	10	96105241	14	14	96106006	16	34
96102537	7	2	96105244	14	15		18	31
96102542	4	56	96105245	14	13	96106033	10	14
	10	21	96105249	14	11	96106108	10	4
96102604	2	5	96105250	16	36	96106109	10	4
96102605	2	1		18	33	96106110	10	4
96102606	2	1	96105251	16	20	96106111	10	4
96102781	4	70		18	20	96106273	16	21
96102832	4	49	96105260	4	69		18	21
96102891	19	6	96105273	19	3	96106723	12	1
96102915	4	65	96105274	16	29	96106741	20	6
96102916	4	45		18	27	96106743	4	7
96102927	4	14	96105275	16	35	96106869	4	38
96102938	2	8		18	32		6	1
96103000	4	48	96105278	4	33	96107342	10	4
96103519	4	29	96105279	4	33	96107343	10	4
96103524	4	32	96105282	19	11	96107344	10	4
96103891	10	6	96105284	20	9	96107345	10	4
96103892	10	6	96105299	20	20	96108295	20	6
96104161	11	1	96105300	20	8	96108341	16	27
96104221	19	1	96105312	14	18		18	25
96104230	19	2	96105313	14	5	96108342	16	31
96104243	11	4	96105314	14	8		18	29
	12	4	96105315	14	7	97100001	10	13

NUMERICAL INDEX

PART NO.	PAGE	ITEM
97100004	4	41
97100005	4	40
97100006	10	12
97100018	10	11
97100751	4	8
97100911	10	5
97100912	10	5
98009005	4	57
98009008	11	7
	12	7
98009009	4	10
	10	20
98009011	4	4
98009013	4	17
	10	8
98009025	11	12
	12	12
98009030	4	54
98009032	11	8
	12	8
98009034	4	46
	10	18
98009036	4	11
98009038	4	66
98009039	4	50
98009042	4	71
98009050	10	17
98009068	4	63
98009069	4	64
98009078	4	53
98009085	4	37
98009151	10	15
98009169	4	42
	4	60
98009194	4	68
98019027	4	20
98019176	2	3
	4	5
	10	9
98019230	2	4
	2	7
	4	6
	10	10
98100007	4	36
98100008	4	24
98100010	4	3
98100037	19	9
98100062	4	15
98100098	4	2
98100099	4	55
98100104	4	27

PART NO.	PAGE	ITEM
98100105	4	26
98100157	4	61
98100164	4	52
98100165	4	51
98100167	2	6
98100169	4	47
98100170	4	62
98100171	10	7
98100172	4	18
98100176	4	12
98100253	19	12
98100254	4	21
	19	13
98100255	4	23
	11	5
	12	5
	19	14
98100266	11	3
	12	3
98100276	11	6, 126
98100277	11	13
	12	13
98100278	11	11
	12	11

PART NO.	PAGE	ITEM
----------	------	------

SNO-WAY[®] INTERNATIONAL, INC.

SNO-WAY[®]
SNOW & ICE CONTROL EQUIPMENT

Hartford, WI 53027 USA
Website: www.snoway.com
©2007 Sno-Way[®] International