

SNO-WAY[®]

SNOW & ICE CONTROL EQUIPMENT

SERVICE PARTS MANUAL

18DX SERIES SNOW PLOW

**FOR 18 SERIES SNOW PLOWS SERIAL NUMBERS AFTER
18DX100000**

TABLE OF CONTENTS

	Page
HYDRAULIC SYSTEM (18DX)	2
POWER PACK FRAME	3
BLADES	5
LIFT CYLINDER	7
ANGLE CYLINDER (18DX)	8
HYDRAULIC POWER UNIT (18DX)	9
ENGINE, VEHICLE & POWER PACK WIRING	11
CONTROLLER (18DX)	12
CONTROL BOX (18DX)	13
CONTROL BOX (18DX)	14
WIRING HARNESS (18DX)	15
WIRE HARNESS (18DX)	16
CONTROLLER (JOYSTICK) (18DX)	17
CONTROLLER STAND (18DX)	19
NUMERICAL INDEX	20

PARTS LIST INTRODUCTION

Our dealership network stands by to provide you with any assistance you may require, including genuine Sno-Way service parts. All parts should be obtained from or ordered through your dealer. Give complete information about the part as well as the Model Number and Serial Number of your machine.

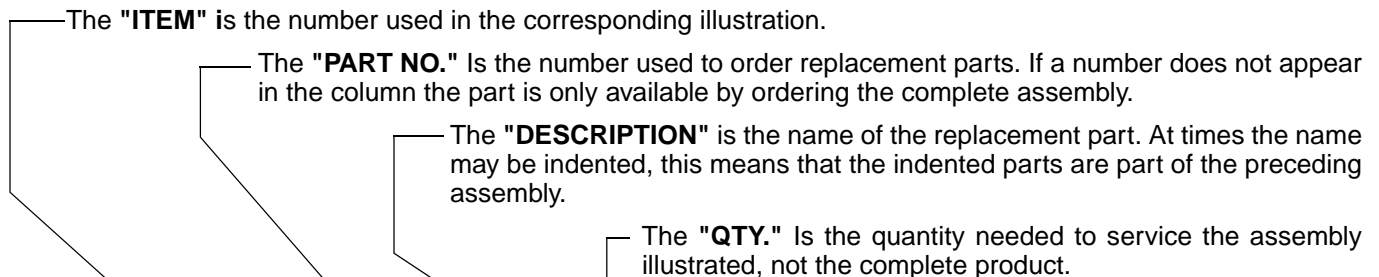
Record the Serial Number in the space provided in your Owner's Manual for quick reference. The Serial Number for the unit is on a plate located on the left frame gusset of the Hopper Frame.

"Right" and "Left" are determined from a position sitting on the Operators Seat of the vehicle.

We reserve the right to make changes or improvements in the design or construction of any part without incurring the obligation to install such changes in any unit previously delivered.

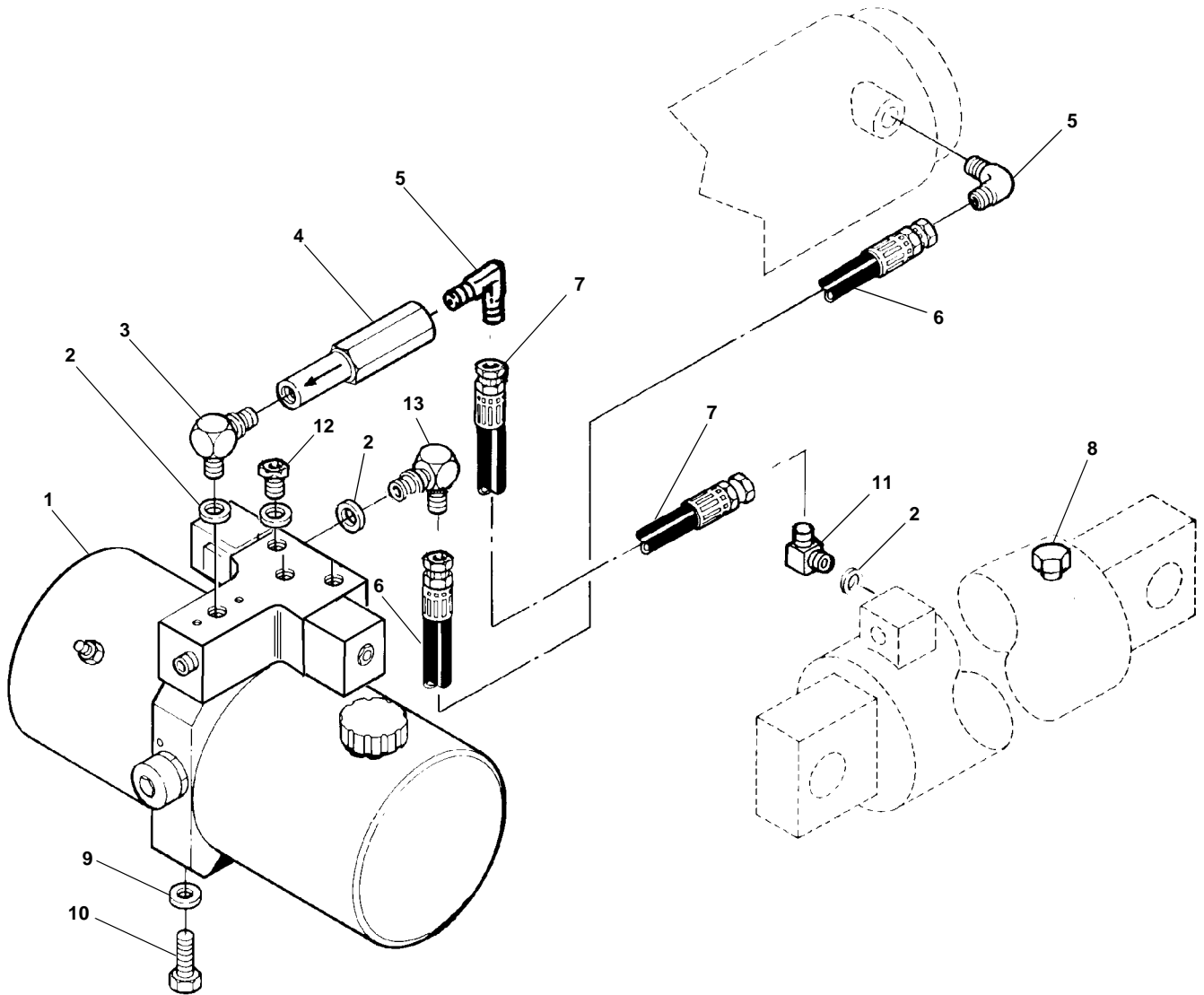
USING THIS PARTS LIST

Below is parts listing with four columns. The first column is the "ITEM", the second is the "PART NUMBER", The third is the "DESCRIPTION" and the fourth is the "QUANTITY".



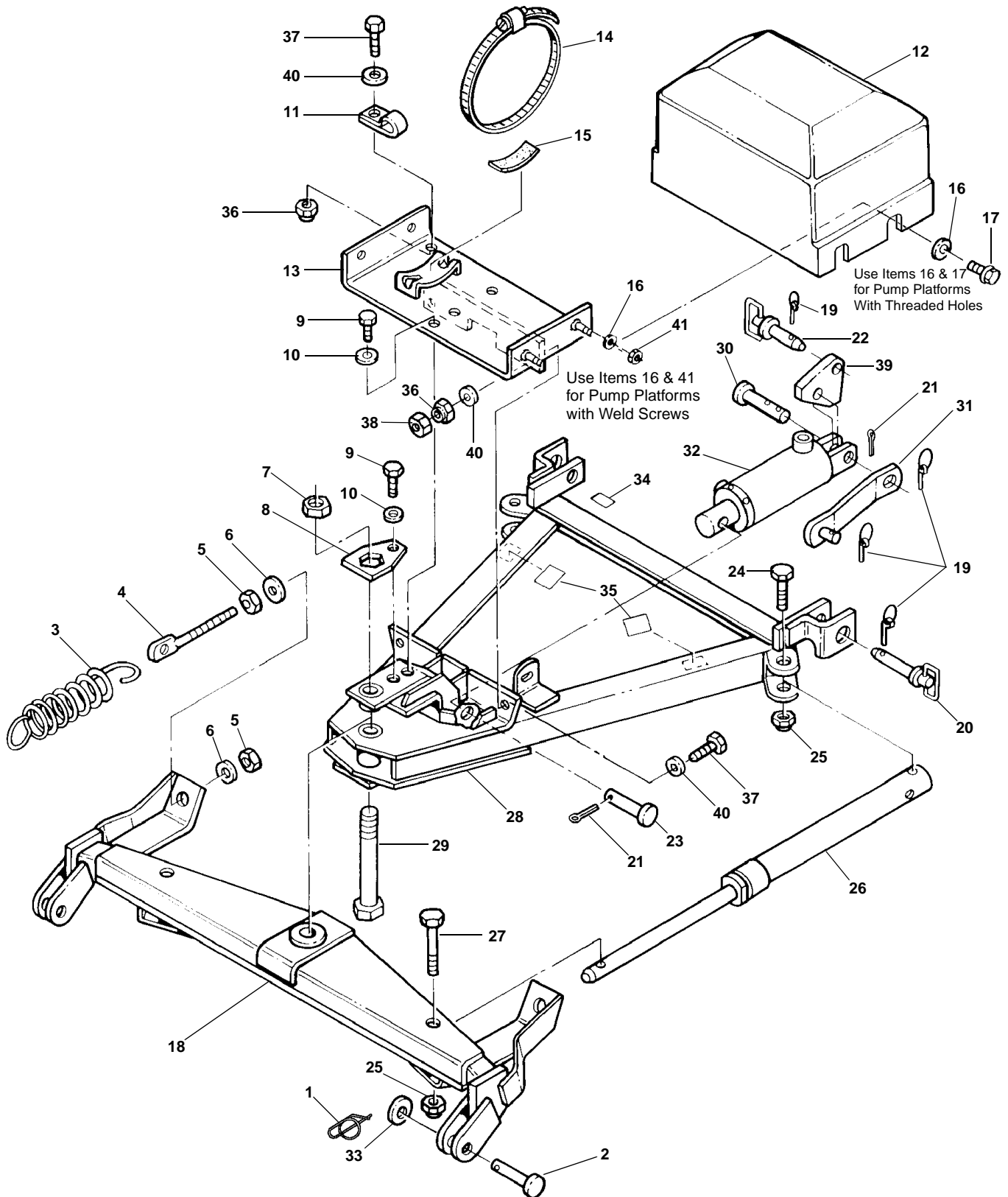
ITEM	PART NO.	DESCRIPTION	QTY.
196100083	O-ring	1	
296001529	Elbow	3	
398100036	Capscrew, Hex., 3/8"-16NC x 7/8"9		

HYDRAULIC SYSTEM (18DX)



ITEM	PART NO.	DESCRIPTION	QTY.
1	96100976	HYDRAULIC POWER UNIT ASS'Y (See Pg 9 for breakdown).....	1
2	96100522	O-ring	4
3	96101995	Elbow, 90°	1
4	96001528	Assembly, Flow Regulator	1
5	96100002	Elbow, 90°	3
6	96100004	Hose, Hydraulic	2
7	96101264	Hose, Hydraulic	1
8	96100960	Plug, Breather	1
9	98009008	Washer, Lock, 3/8"	2
10	98009189	Cap Screw, Hex, 3/8"-16 x 3/4"	2
11	96100001	Elbow, 90°	3
12	96102225	Plug, Port w/ O-Ring.....	3
13	96101993	Elbow, 90°	2

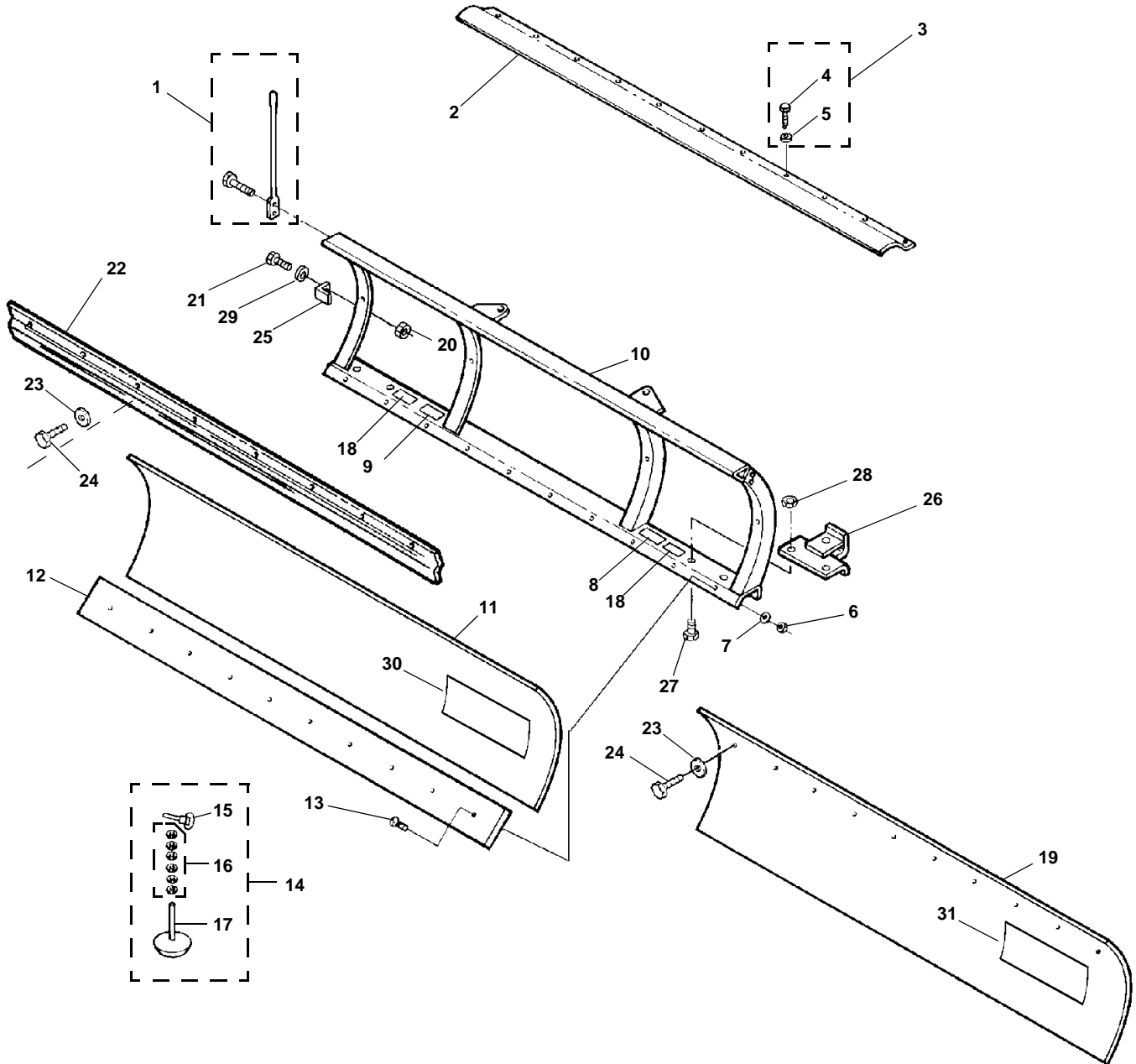
POWER PACK FRAME



POWER PACK FRAME

ITEM	PART NO.	DESCRIPTION	QTY
1	98100099	Pin, Special	2
2	98009175	Pin, Clevis, 3/4" x 2-1/2"	2
3	96101061	Spring, Trip	2
4	98009037	Eyebolt, 5/8"-11 x 6"	2
5	98009078	Nut, Hex, 5/8"-11	4
6	98009039	Washer, Flat, 5/8"	4
7	98100005	Nut, Hex, 1"-14	1
8	96100073	Plate, Locking, Nut	1
9	98009022	Cap Screw, Hex, 3/8"-16 x 1"	2
10	98009008	Washer, Lock, 3/8"	2
11	96001531	Clamp, Cable	1
12	96101013	Cover, Pump	1
13	96100977	Platform, Pump	1
14	98009138	Clamp, Mounting, Pump	1
15	96001354	Pad, Neoprene	1
16	98019230	Washer, Flat, 5/16"	4
17	98019176	Screw, Flange HD., Self Tapping, 5/16" x 3/4"	4
18	96100919	Frame, Swing	1
19	98009169	Pin, Lynch, 1/4" X1-9/16"	5
20	96100015	Pin, Hitch	2
21	98009085	Pin, Cotter, 5/32" x 1-1/2"	2
22	98009168	Pin, Hitch, 3/4" x 2-1/2"	1
23	98100040	Pin, Clevis, 3/4" x 3"	1
24	98009017	Cap Screw, Hex, 1/2"-13 x 3"	2
25	98009013	Nut, Hex, Nylock, 1/2"-13	4
26	96001044	Cylinder, Angle (See Page 8 for Parts Breakdown)(18DX Only)	2
27	98009055	Cap Screw, Hex, 1/2"-13 x 4-1/2"	2
28	96100920	A-Frame	1
29	98100028	Cap Screw, Hex, 1"-14 x 7"	1
30	98100053	Pin, Special	1
31	96101157	Lock, Transport	1
32	96100816	Cylinder, Lift, 2-1/4"(See Page 7 for Parts Breakdown)	1
33	98009030	Washer, Flat, 3/4"	2
34	97100005	Decal, Patent	1
35	97100004	Decal, Important	2
36	98009009	Nut, Hex, Nylock, 3/8"-16	3
37	98009034	Cap Screw, Hex, 3/8"-16 x 1-1/4"	3
38	98009077	Nut, Hex, 3/8"-16	2
39	96101314	Link, Lift Cylinder	1
40	98009032	Washer, Flat 3/8"	5
41	98009150	Nut, Nylock 5/16"-18NC	4

BLADES

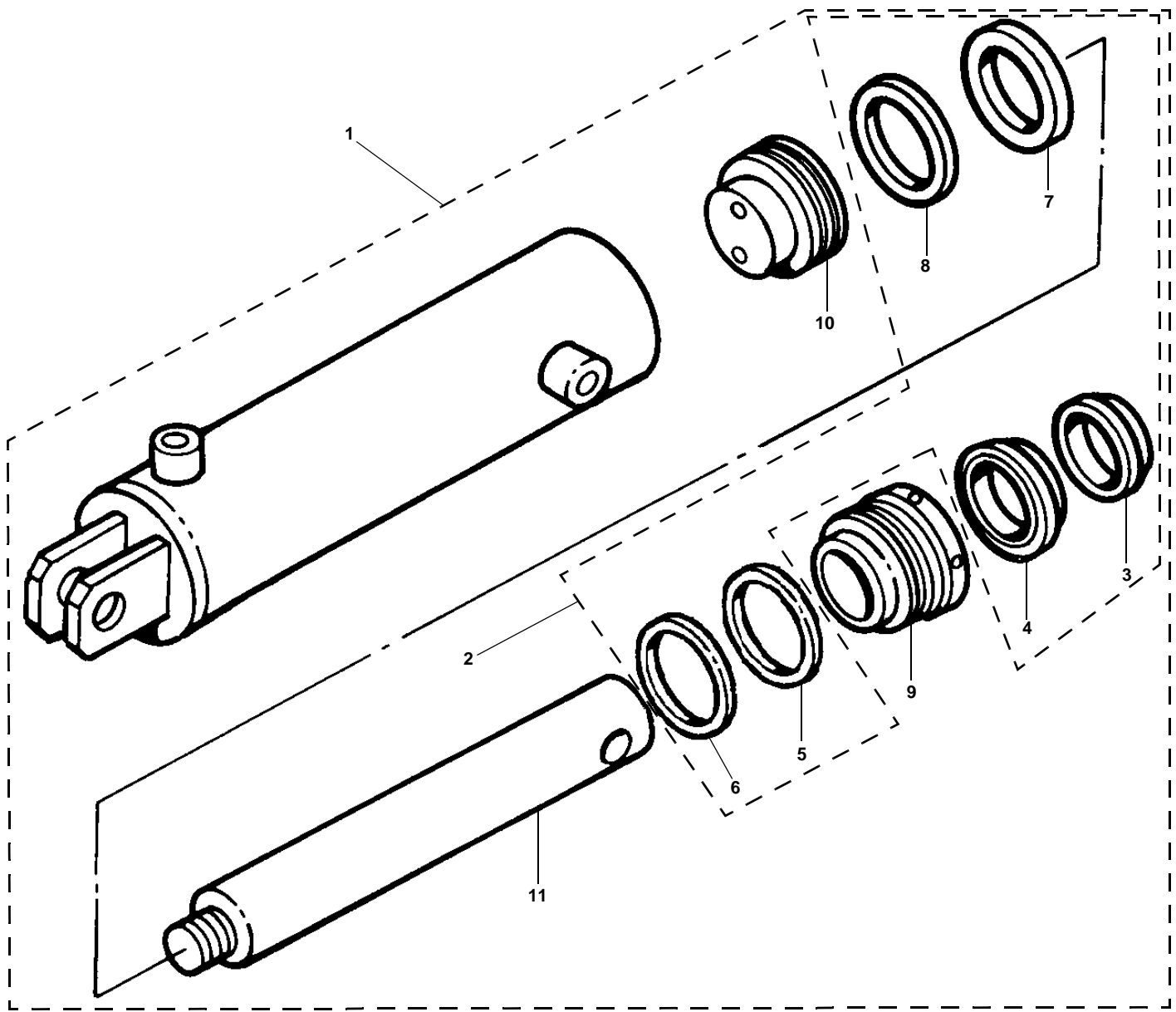


BLADES

ITEM	PART NO.	DESCRIPTION	QTY
1	96006002	Kit, Guide, Blade (Includes 2 Guides And Mounting Hardware	1
2		Deflector, Formed, (See Note)	1
3	96101257	Hardware Kit	1
4	98019176	Screw, Self Tapping	14
5	98019230	Washer, Flat, 5/16"	14
6	98009077	Nut, Hex, 3/8"-16 (Use With Polymer Wearstrip)	12
	98009009	Nut, Hex, Nylock, 3/8"-16 (Use With Steel Wearstrip)	12
7	98009008	Washer, Lock, 3/8" (Use With Polymer Wearstrip)	12
8	97100001	Decal, Warning	1
9	97100006	Decal, Important	1
10		Frame, 18" x 72"	1
		Frame, 18" x 80"	1
		Frame, 18" x 90"	1
11	96101445	Blade, Lexan, 18" x 72" (Includes "Sno-Way" Decal)	1
	96101446	Blade, Lexan, 18" x 80" (Includes "Sno-Way" Decal)	1
	96103069	Blade, Lexan, 18" x 90" (Includes "Sno-Way" Decal)	1
12	96101634	Kit, Wearstrip, Steel, 72" (Includes Mounting Hardware)	1
	96101635	Kit, Wearstrip, Steel, 80" (Includes Mounting Hardware)	1
	96102789	Kit, Wearstrip, Steel, 90" (Includes Mounting Hardware)	1
	96101632	Kit, Wearstrip, Polymer, 72" (Includes Mounting Hardware)	1
	96101633	Kit, Wearstrip, Polymer, 80" (Includes Mounting Hardware)	1
13	98009061	Bolt, Carriage, Grade 5, 3/8"-16 x 1-1/2"	12
14	96001191	SHOE ASSEMBLY	2
15	98009169	Pin, Lynch, 1/4" x 1-9/16"	1
16	98100045	Washer, Flat, 3/4"	13
17		Shoe, Cast, 3/4" Shaft	
18	97100018	Decal, Warning	2
19	96103042	Blade, Steel, 72" (Includes "Sno-Way" Decal)	1
	96103043	Blade, Steel, 80" (Includes "Sno-Way" Decal)	1
20	98009150	Nut, Nylock, 5/16"-18	2
21	98009149	Cap Screw, Hex, 5/16"-18 x 1	2
22	96100264	Retainer, Blade, 72"	1
	96100265	Retainer, Blade, 80"	1
	96100266	Retainer, Blade, 90"	1
23	98019230	Washer, Flat, 5/16"	8
24	98019176	Screw, Self-Tapping, 5/16" x 1"	8
25	96100213	Retainer, Bracket	2
26	96100872	Bracket, Shoe	2
27	98009034	Cap Screw, Hex, 3/8"-16 x 1-1/4"	8
28	98009009	Nut, Nylock, 3/8"-16	8
29	98009230	Washer, Flat, 5/16"	2
30	97100663	Decal, Sno-Way, Lexan	1
31	97100664	Decal, Sno-Way, Steel	1

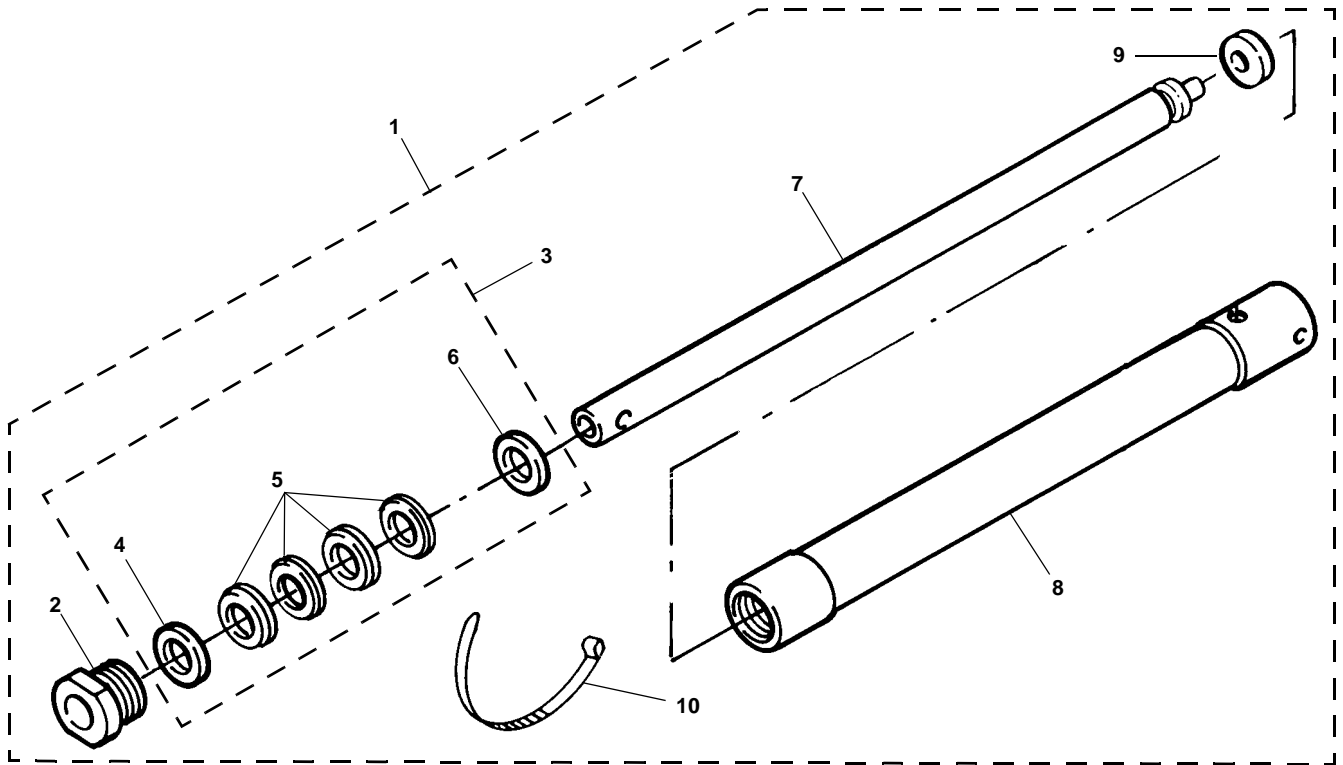
NOTE: Formed Deflectors are available only as a 96" Three-Pack - Part Number 99100154.

LIFT CYLINDER



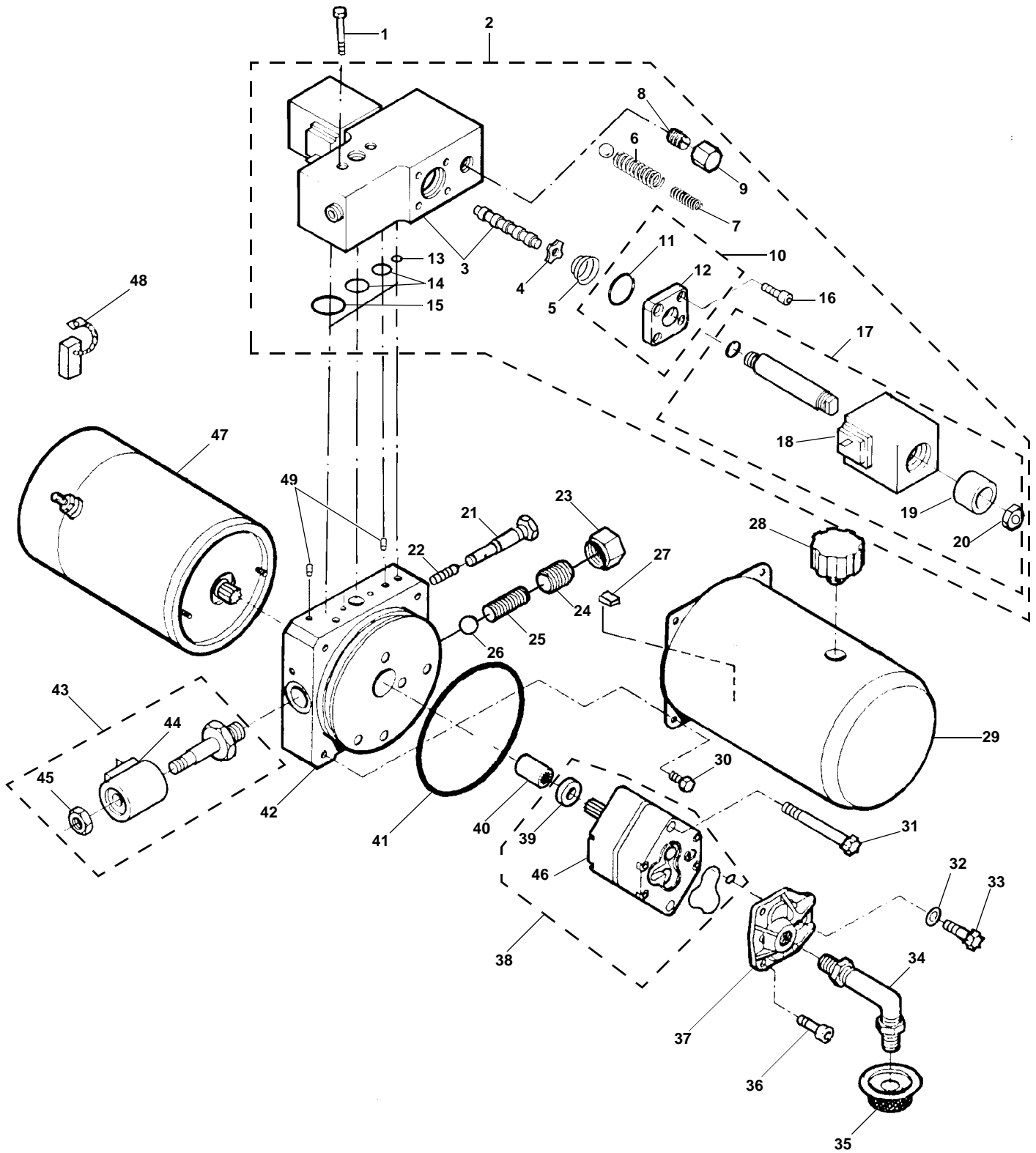
ITEM	PART NO.	DESCRIPTION	QTY
1	96100816	Cylinder, Lift, 2-1/4.....	1
2	96101381	Kit, Seal	1
3		Seal, Wiper	1
4		Seal, Rod	1
5		Ring, Back-up.....	1
6		Seal, O-Ring	1
7		Seal, Piston.....	1
8		Seal, Wear Ring	1
9	96101380	Nut, Gland	1
10		Piston.....	1
11		Rod.....	1

ANGLE CYLINDER (18DX)



ITEM	PART NO.	DESCRIPTION	QTY
1	96001044	Cylinder, Angle, 1".....	1
2	96005101	Nut, Gland 1".....	1
3	96005035	Kit, Seal 1".....	1
4		Seal, Square End.....	1
5		Seal, Inner.....	4
6		Seal, Domed (Metal or Plastic).....	1
7		Rod, Cylinder.....	1
8		Housing, Cylinder.....	1
9	96100419	Ring, Guide, 1" (HDM Cylinder only).....	1
10		Wrap, Tie.....	1

HYDRAULIC POWER UNIT (18DX)

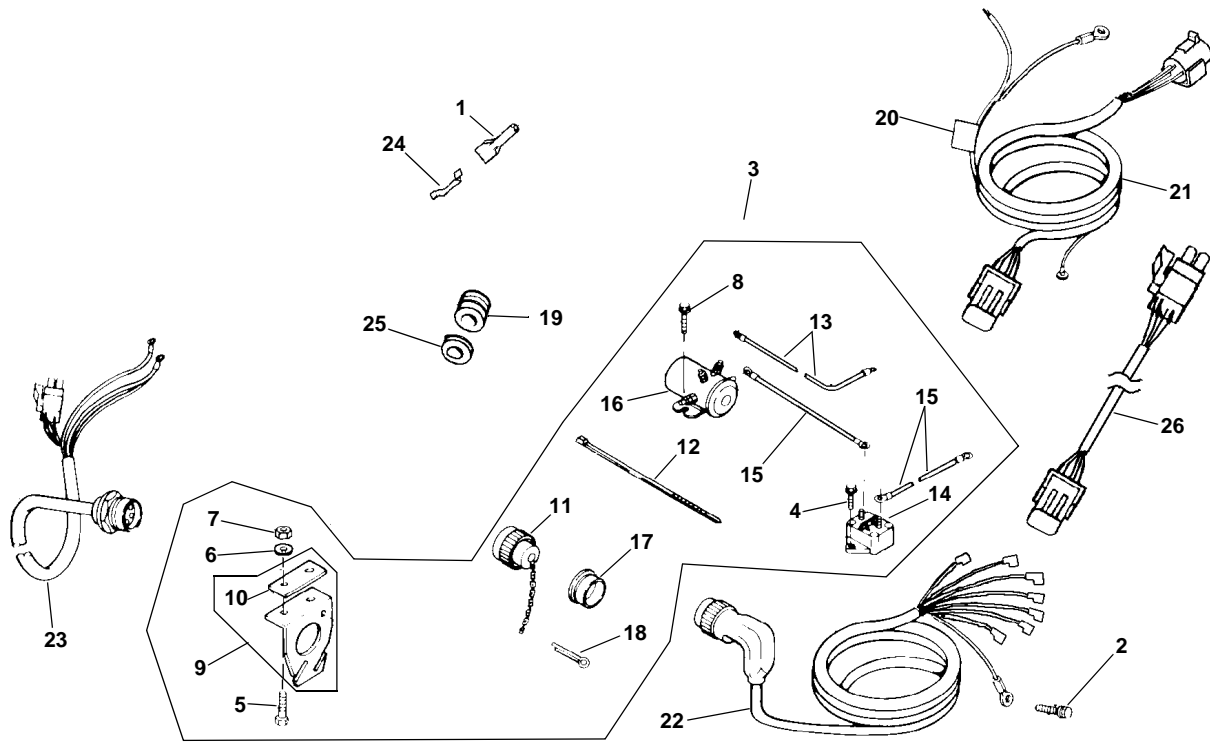


HYDRAULIC POWER UNIT (18DX)

ITEM	PART NO.	DESCRIPTION	QTY
1	98001618	Cap Screw, Socket Head 1/4"-20 x 2"	2
2		U-VALVE ASSEMBLY	1
3		Valve	1
4	98001577	Washer, Star	2
5	96001574	Spring, Conical	2
6	96001583	Ball And Spring.....	2
7	96001573	Spring	2
8	96001587	Screw, Adjusting	2
9	96001584	Cap, Hex.....	2
10	96001585	Adaptor	2
11	96001687	O-ring.....	2
12	96001688	Plate, Adapter.....	1
13	96001578	O-ring.....	1
14	96001579	O-ring.....	2
15	96001580	O-ring.....	1
16	98001576	Screw, Torx, Socket Head, #10-32	8
17	96001575	Solenoid, 12 VDC	2
18		Coil, U-Valve	1
19	96102795	Spacer	1
20	98100135	Nut, Hex Jam	1
21	96001549	Valve, Check, Power Beyond	1
22	96001565	Spring and Ball, Check Assembly	1
23	96001566	Cap, Relief	1
24	96001570	Screw, Adjusting.....	1
25	96001552	Spring.....	1
26	96001538	Ball, 3/8".....	1
27	96001543	Magnet	1
28	96001540	Cap, Breather	1
29	96101437	Reservoir.....	1
30		Screw, Hex, Flange Head, #12-24 x 9/32"	4
31	98001536	Bolt, Torx, 5/16"-24 x 2-3/4"	2
32	98001541	Washer	1
33	98001550	Bolt, Torx, 5/16"-18 x 1"	1
34	96100798	Pipe, Elbow, Nylon, 90°, 3/8" NPT	1
35	96001544	Filter, 149 Micron	1
36	98001547	Screw, Taptite, M6-1" x 12MM.....	2
37	96001546	Cover, Suction, 3/8" NPT	1
38	96001690	Kit, Seal.....	1
39	96001539	Seal, Shaft 1/2" x 1".....	1
40	96101439	Coupling.....	1
41	96001557	O-ring	1
42	96101438	Endhead.....	1
43	96001553	Valve, Release	1
44	96001625	Coil, Solenoid, Lift Valve	1
45	98001626	Nut, Jam, 1/2"-20.....	1
46	96100796	Pump.....	1
47	96100794	Motor, 12VDC	1
48	96101614	Brush, Motor, Kit	1
49		Pin, 1/8" x 1/4"	2

ENGINE, VEHICLE & POWER PACK WIRING

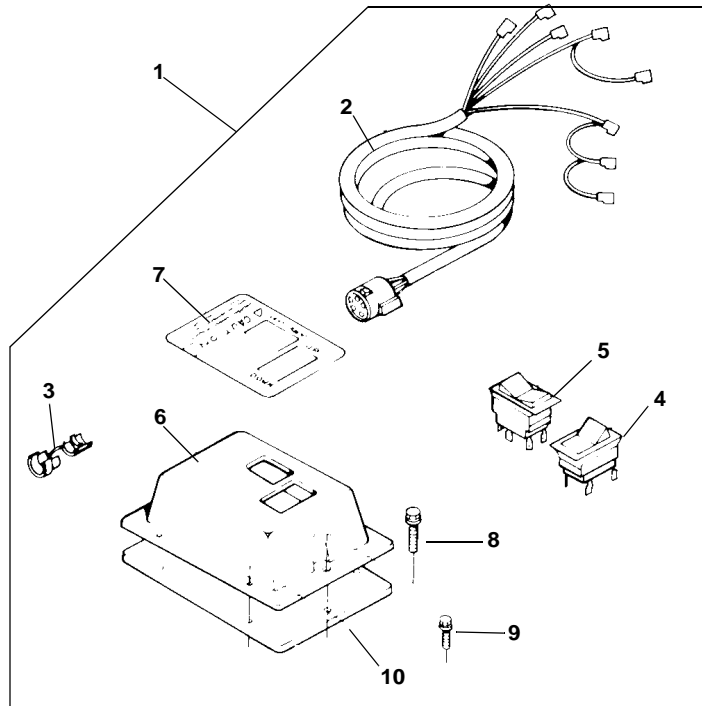
(Serial Number 18DX100776 and After)



ITEM	PART NO.	DESCRIPTION	QTY
1	96002085	Terminal, Female, Spade, 1/4" - For ATO/ATC Blade Fuse	1
	96101845	Terminal, Female, Spade, 1/4" - For Mini Blade Fuse	1
2		Screw, Self Tapping, 1/4" x 1/4".....	1
3	96100200	BAG, HARNESS & CONTROL PARTS	1
4	98100037	Screw, Self Tapping, #10 x 1".....	2
5	98009027	Cap Screw, Hex, 1/4" x 1"	2
6	98009031	Washer, Lock, 1/4"	2
7	98009033	Nut, Hex, 1/4"	2
8	98009092	Screw, Self Tapping, 1/4" x 1"	2
9	96002130	MOUNTING BRACKET ASSEMBLY.....	1
10	96001684	Tape, Foam, Adhesive Back, 3" Long	1
11	96002107	Cap, Metal Protective	1
12	96001227	Strap, Plastic Tie	5
13	96002100	Wire, Solenoid Ground.....	1
14	96101210	Breaker, Circuit, 150 Amp	1
15	96102891	Cable, Power	2
16	96002086	Switch, Solenoid.....	1
17	96002108	Cap, Plastic, Protective	2
18	98009233	Pin, Cotter, 3/16" x 1"	1
19	96100298	Grommet, Rubber, 1"	1
20	97000034	Label, Electrical, Warning.....	1
21	96100308	Harness, Engine Compartment (Gravity Down)	1
22	96002097	Harness, Power Pack (Gravity Down).....	1
23	96002099	Harness, Vehicle Power (Gravity Down).....	1
24	96002083	Tap, Auto Fuse Power - For ATO/ATC Blade Fuse	1
	96101832	Tap, Auto Fuse Power - For Mini Blade Fuse	1
25	96101846	Seal, Neoprene.....	1
26	96103868	Harness, Extension	1

CONTROLLER (18DX)

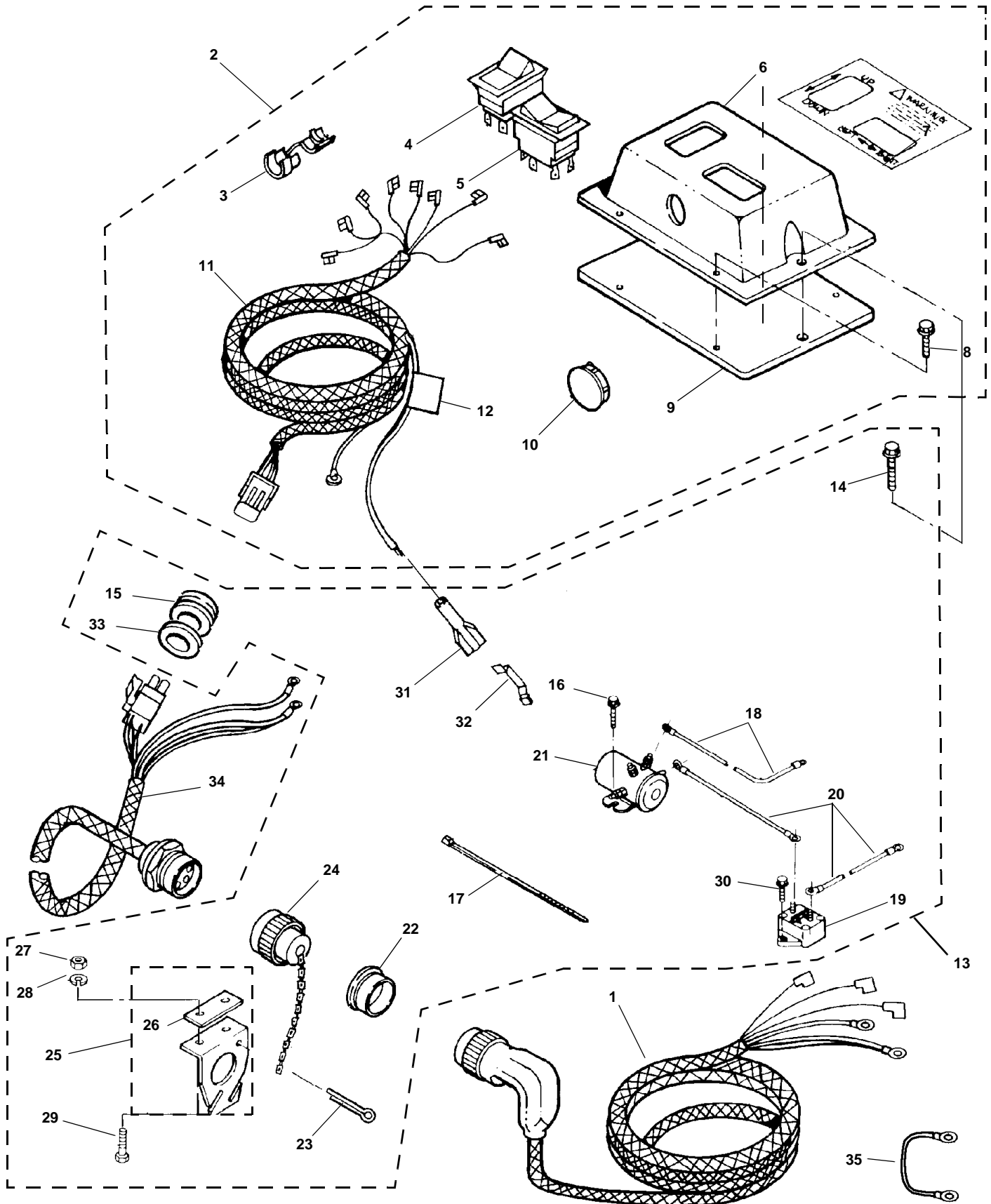
(Serial Number 18DX100776 and After)



ITEM	PART NO.	DESCRIPTION	QTY
1	99100011	CONTROL BOX ASSEMBLY (Gravity Down)	1
2	96100309	Harness, Control Box	1
3	96002075	Bushing, Strain Relief, Large	1
4	96002103	Switch, Up / Down	1
5	96002104	Switch, Left / Right	1
6	96002015	Cover, Control Box	1
7	97100016	Decal / Control Box	1
8	98009071	Screw, Self Tapping , 1/4" x 1-1/2"	2
9	98009172	Screw, Self Tapping #10 x 3/8"	4
10	96012015	Plate, Control Box Base	1

CONTROL BOX (18DX)

(Serial Number 18DX100775 and Before)



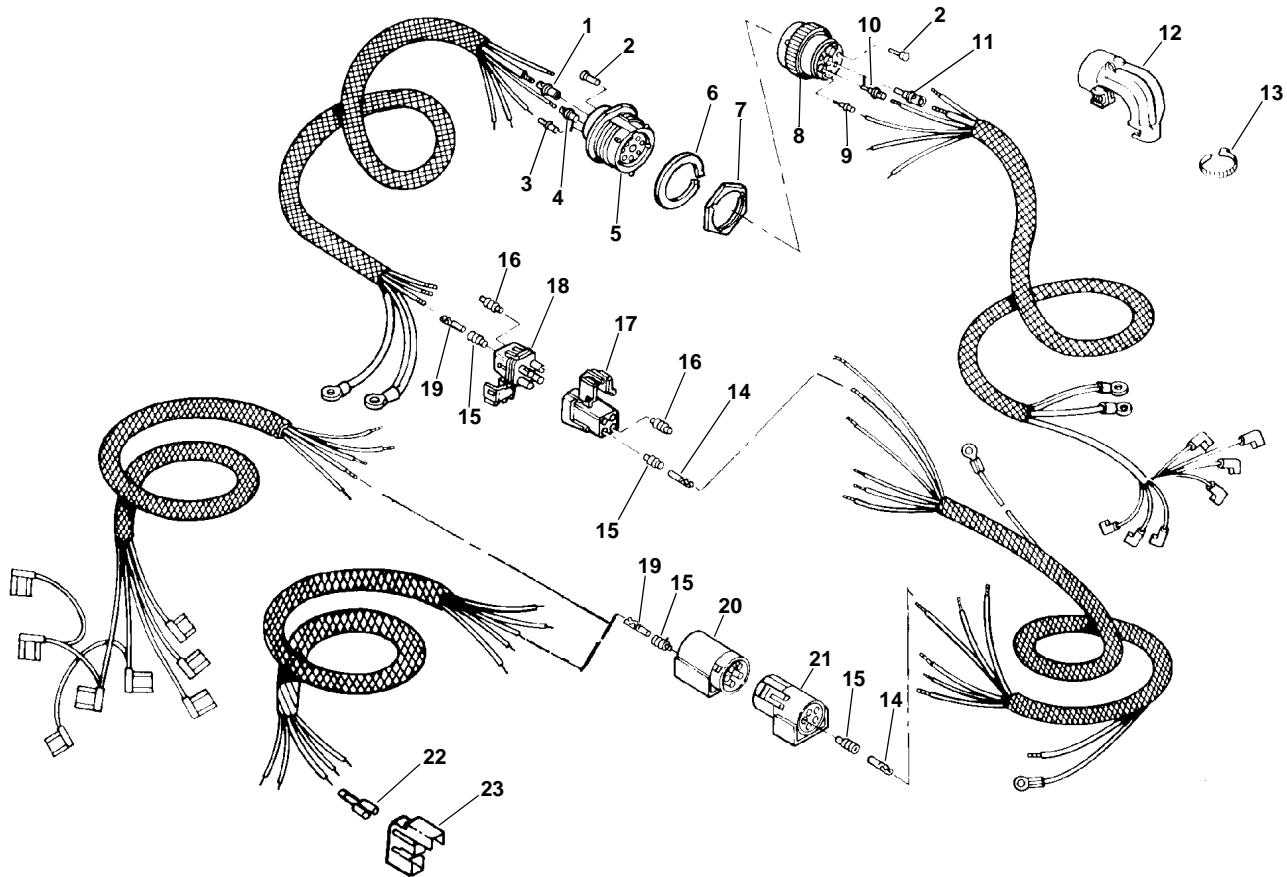
CONTROL BOX (18DX)

(Serial Number 18DX100775 and Before)

ITEM	PART NO.	DESCRIPTION	QTY
1	96002097	Harness, Power Pack	1
2	99100011	CONTROL BOX ASSEMBLY	1
3	96002075	Bushing, Strain Relief	1
4	96002103	Switch, Up / Down	1
5	96002104	Switch, Left / Right.....	1
6	96002015	Cover, Control Box.....	1
7	97100016	Decal / Control Box	1
8	98009172	Screw, Self Tapping	4
9	96012015	Plate, Control Box Base	1
10	96002074	Plug, Plastic 7/8"	1
11	96002098	Harness, Control Box	1
12	97000034	Label, Electrical Warning.....	1
13	96101441	BAG, HARNESS & CONTROL PARTS.....	1
14	98009071	Screw, Self Tapping, 1/4" x 1-1/2".....	2
15	96002077	Grommet, Rubber 3/4".....	1
16	98009092	Screw, Self Tapping 1/4" x 1".....	2
17	96001227	Strap, Plastic Tie.....	5
18	96002100	Wire, Solenoid Ground	1
19	96002102	Breaker, Circuit	1
20	96102891	Cable, Power	2
21	96002086	Switch, Solenoid.....	1
22	96002108	Cap, Plastic Protective.....	2
23	98009233	Pin, Cotter 3/16" x 1"	1
24	96002107	Cap, Metal Protective	1
25	96002130	MOUNTING BRACKET ASSEMBLY	1
26	96001684	Tape, Foam Adhesive	3 FT.
27	98009033	Nut, Hex 1/4"	2
28	98009031	Washer, Lock 1/4".....	2
29	98009027	Cap Screw, Hex 1/4" x 1".....	2
30	98100037	Screw, Self-tapping #10x1".....	2
31	96002085	Terminal, Female Spade 1/4" - For ATO/ATL Blade Fuse.....	1
	96101845	Terminal, Female Spade 3/16" - For Mini Blade Fuse	1
32	96002083	Tap, Auto Fuse Power - For ATO/ATC Blade Fuse	1
	96101832	Tap, Auto Fuse power - For Mini Blade Fuse.....	1
33	96101846	Seal, Neoprene.....	1
34	96002099	Harness, Vehicle Power	1
35	96102010	Wire, Jumper.....	1

WIRING HARNESS (18DX)

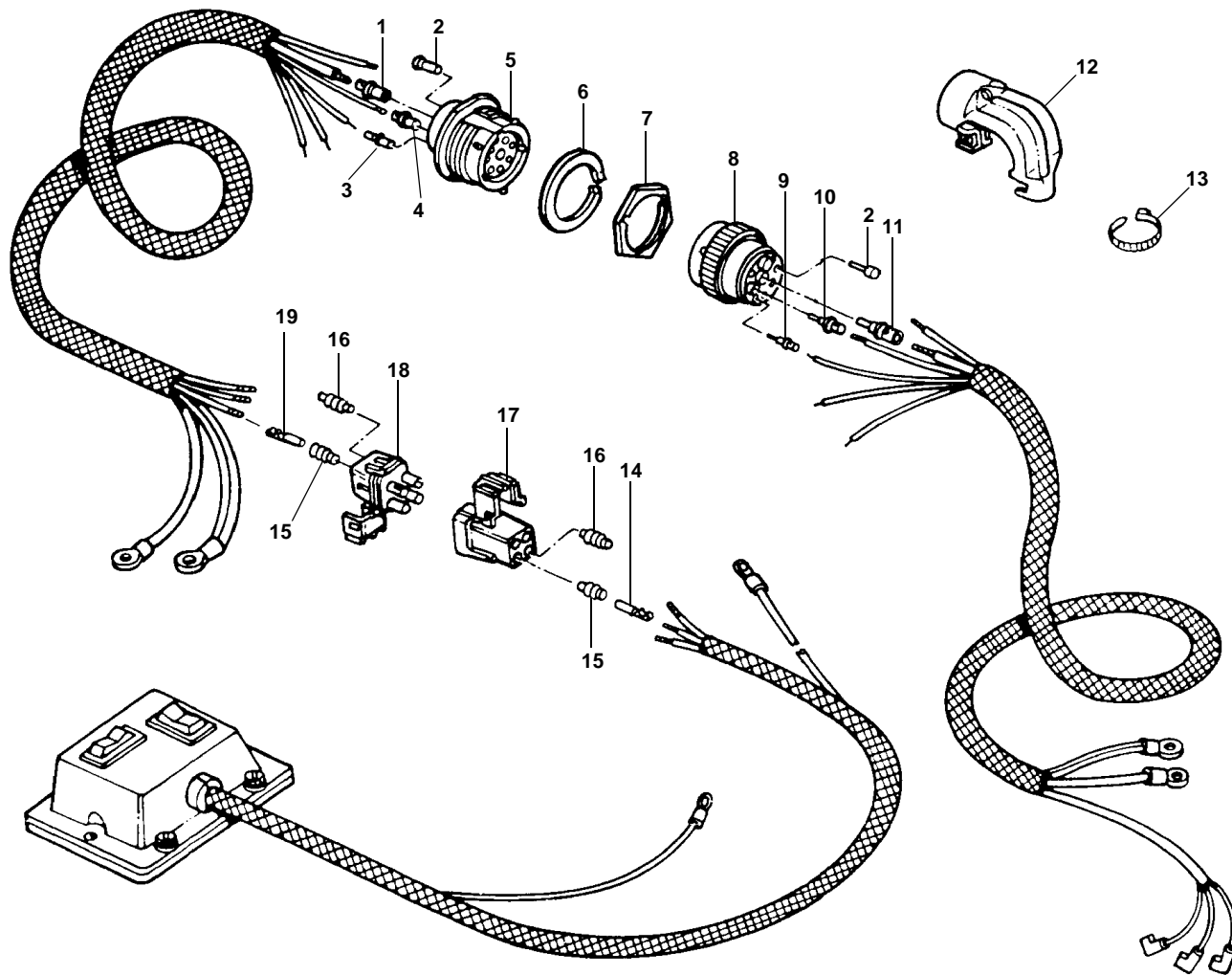
(Serial Number 18DX100776 and After)



ITEM	PART NO.	DESCRIPTION	QTY
1	96002119	Contact, Socket, Gauge 6	1
2	96002124	Plug, Sealing, Plastic.....	6
3	96002121	Contact, Socket, 12-14 Gauge	3
4	96002120	Contact, Socket, 8-10 Gauge	2
5	96002113	Socket, Harness , Vehicle	1
6	98002115	Washer, Lock.....	1
7	98002114	Nut	1
8	96002112	Plug, Harness, Power Pack	1
9	96002118	Contact, Pin, 12-14 Gauge.....	3
10	96002117	Contact, Pin, 8-10 Gauge.....	2
11	96002116	Contact, Pin, 6 Gauge	1
12	96002111	Elbow, Strain Relief, 90°	1
13	96001227	Strap, Tie, Plastic	1
14	96002138	Contact, Pin.....	8
15	96002139	Seal, Silicone, Blue	16
16	96002140	Plug, Silicone, Green.....	2
17	96002137	Socket, Harness	1
18	96002141	Plug, Harness, Vehicle	1
19	96002142	Contact, Socket	8
20	96100496	Connector, Socket	1
21	96100495	Connector, Plug.....	1
22		Terminal, Female Spade (Joystick Harness).....	8
23		Connector (Joystick Harness)	4

WIRE HARNESS (18DX)

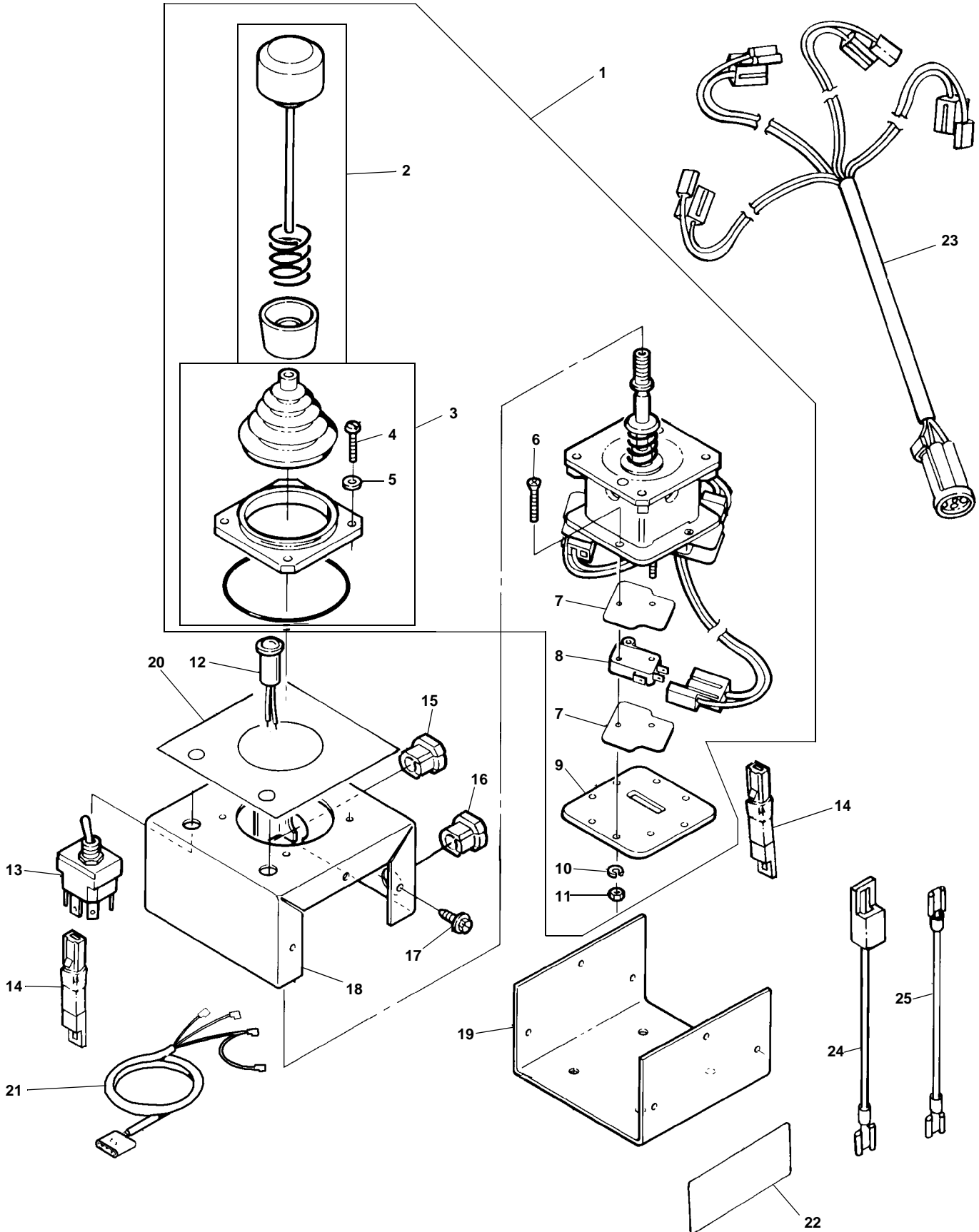
(Serial Number 18DX100775 and Before)



ITEM	PART NO.	DESCRIPTION	QTY
1	96002119	Contact, Socket, Gauge 6.....	1
2	96002124	Plug, Sealing, Plastic.....	6
3	96002121	Contact, Socket, 12-14 Gauge.....	3
4	96002120	Contact, Socket, 8-10 Gauge.....	2
5	96002113	Socket, Harness, Vehicle.....	1
6	98002115	Washer, Lock.....	1
7	98002114	Nut.....	1
8	96002112	Plug, Harness, Power Pack.....	1
9	96002118	Contact, Pin, 12-14 Gauge.....	3
10	96002117	Contact, Pin, 8-10 Gauge.....	2
11	96002116	Contact, Pin, 6 Gauge.....	1
12	96002111	Elbow, Strain Relief, 90°.....	1
13	96001227	Strap, Tie, Plastic.....	1
14	96002138	Contact, Pin 14 Gauge.....	3
15	96002139	Seal, Silicone, Blue.....	6
16	96002140	Plug, Silicone, Green.....	2
17	96002137	Socket, Harness.....	1
18	96002141	Plug, Harness, Vehicle.....	1
19	96002142	Contact, Socket 14 Gauge.....	3

CONTROLLER (JOYSTICK) (18DX)

(Serial Number 18DX100776 and After)



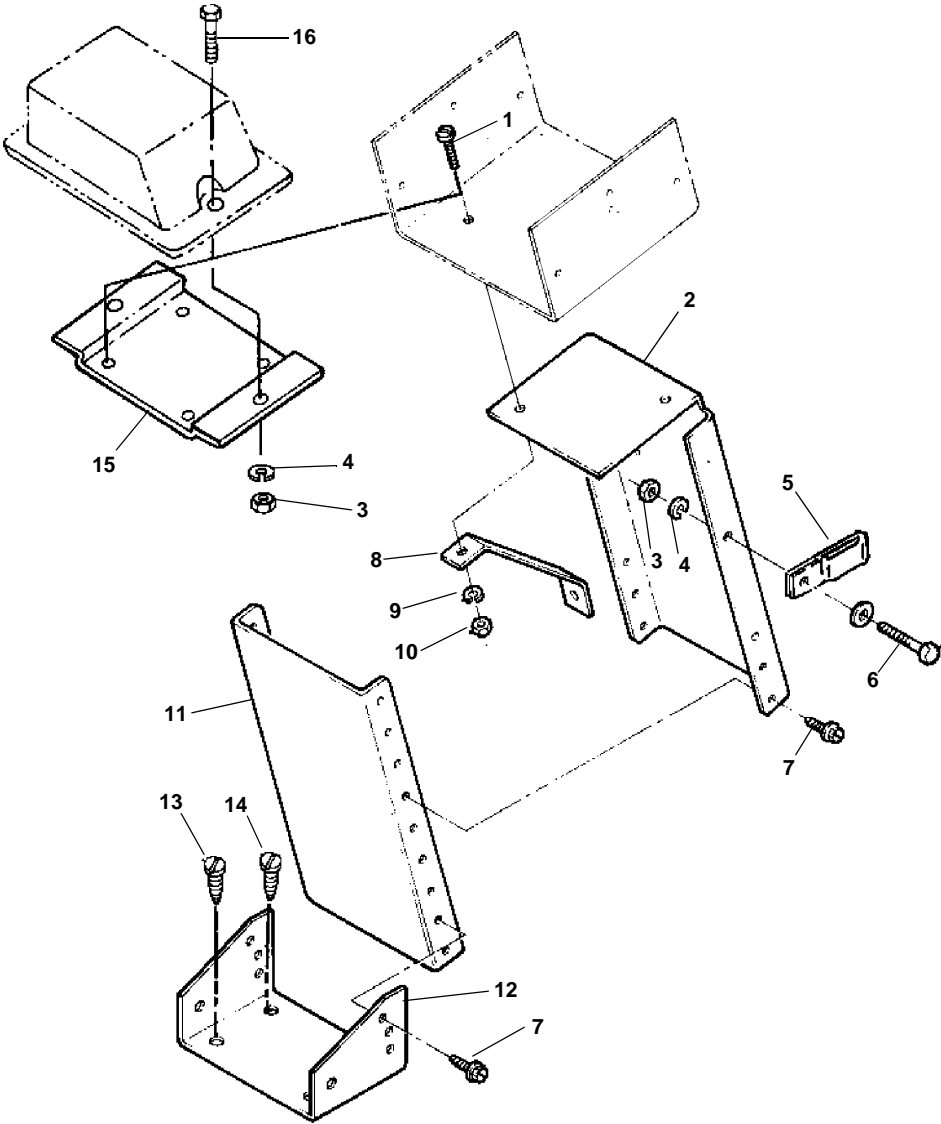
CONTROLLER (JOYSTICK) (18DX)

(Serial Number 18DX100776 and After)

ITEM	PART NO.	DESCRIPTION	QTY
1	96101169	JOYSTICK ASSEMBLY	1
2		Knob Assembly.....	1
3		Boot Assembly.....	1
4		Screw.....	4
5		Washer, Plain	4
6		Screw.....	8
7		Insulator.....	8
8	96101524	Switch.....	4
9		Plate, Guide.....	1
10		Washer, Lock.....	8
11		Nut, Hex.....	8
12	96100444	Lamp, Indicator (Down Pressure)	1
13	96100190	Switch, Toggle (Down Pressure)	1
14	96101014	Diode.....	3
15	96101267	Bushing, Strain Relief, Large	1
16	96101165	Bushing, Strain Relief, Small (Down Pressure).....	1
17	98009172	Screw, Self Tapping, #10 x 3/8"	6
18	96100361	Housing, Controller	1
19	96100362	Plate, Controller Base	1
20	97100176	Decal, Controller (Gravity Down)	1
	97100175	Decal, Controller (Down Pressure)	1
21	96100310	Harness, Down Pressure (Down Pressure)	1
22	97100177	Decal, Caution	1
23	96101161	Harness, Joystick Control (Gravity Down).....	1
	96100313	Harness, Joystick Control (Down Pressure)	1
24	96101256	Wire, Jumper (Down Pressure).....	1
25	96100192	Wire, Jumper (Down Pressure).....	1

CONTROLLER STAND (18DX)

(Serial Number 18DX100776 and After)



ITEM	PART NO.	DESCRIPTION	QTY
1	98009173	Screw, Round Head, #10-24 x 1/2"	3
2	96101018	Plate, Stand	1
3	98009033	Nut, Hex., 1/4"-20	3
4	98009031	Washer, Lock, 1/4"	3
5	96101015	Clamp, Tube	1
6	98009027	Cap Screw, Hex., 1/4"-20 x 1"	1
7	98009172	Screw, Self Tapping, #10 x 3/8"	8
8	96101286	Brace	1
9	98009065	Washer, Lock, 3/16"	3
10	98009066	Nut, Hex., #10-24	3
11	96101176	Plate, Stand Extension	1
12	96101017	Plate, Stand Base	1
13	98009092	Screw, Self Tapping, 1/4"-14 x 1"	2
14	98009071	Screw, Self Tapping, 1/4"-14 x 1-1/2"	2
15	96101501	Plate Adapter	1
16	98009144	Cap Screw, Hex., 1/4"-20 x 1-1/2"	2

NUMERICAL INDEX

PART NO.	PAGE	ITEM
96001044	4	26
	8	1
96001191	6	14
96001227	11	12
	14	17
	15	13
	16	13
96001354	4	15
96001528	2	4
96001531	4	11
96001538	10	26
96001539	10	39
96001540	10	28
96001543	10	27
96001544	10	35
96001546	10	37
96001549	10	21
96001552	10	25
96001553	10	43
96001557	10	41
96001565	10	22
96001566	10	23
96001570	10	24
96001573	10	7
96001574	10	5
96001575	10	17
96001578	10	13
96001579	10	14
96001580	10	15
96001583	10	6
96001584	10	9
96001585	10	10
96001587	10	8
96001625	10	44
96001684	11	10
	14	26
96001687	10	11
96001688	10	12
96001690	10	38
96002015	12	6
	14	6
96002074	14	10
96002075	12	3
96002075	14	3
96002077	14	15
96002083	11	24
	14	32
96002085	11	1
	14	31
96002086	11	16
	14	21
96002097	11	22
	14	1
96002098	14	11
96002099	11	23
	14	34
96002100	11	13
	14	18

PART NO.	PAGE	ITEM
96002102	14	19
96002103	12	4
	14	4
96002104	12	5
	14	5
96002107	11	11
	14	24
96002108	11	17
	14	22
96002111	15	12
	16	12
96002112	15	8
	16	8
96002113	15	5
	16	5
96002116	15	11
	16	11
96002117	15	10
	16	10
96002118	15	9
	16	9
96002119	15	1
	16	1
96002120	15	4
	16	4
96002121	15	3
	16	3
96002124	15	2
	16	2
96002130	11	9
	14	25
96002137	15	17
	16	17
96002138	15	14
	16	14
96002139	15	15
	16	15
96002140	15	16
	16	16
96002141	15	18
	16	18
96002142	15	19
	16	19
96005035	8	3
96005101	8	2
96006002	6	1
96012015	12	10
	14	9
96100001	2	11
96100002	2	5
96100004	2	6
96100015	4	20
96100073	4	8
96100190	18	13
96100192	18	25
96100200	11	3
96100213	6	25
96100264	6	22

PART NO.	PAGE	ITEM
96100265	6	22
96100266	6	22
96100298	11	19
96100308	11	21
96100309	12	2
96100310	18	21
96100313	18	23
96100361	18	18
96100362	18	19
96100419	8	9
96100444	18	12
96100495	15	21
96100496	15	20
96100522	2	2
96100794	10	47
96100796	10	46
96100798	10	34
96100816	4	32
	7	1
96100872	6	26
96100919	4	18
96100920	4	28
96100960	2	8
96100976	2	1
96100977	4	13
96101013	4	12
96101014	18	14
96101015	19	5
96101017	19	12
96101018	19	2
96101061	4	3
96101157	4	31
96101161	18	23
96101165	18	16
96101169	18	1
96101176	19	11
96101210	11	14
96101256	18	24
96101257	6	3
96101264	2	7
96101267	18	15
96101286	19	8
96101314	4	39
96101380	7	9
96101381	7	2
96101437	10	29
96101438	10	42
96101439	10	40
96101441	14	13
96101445	6	11
96101446	6	11
96101501	19	15
96101524	18	8
96101614	10	48
96101632	6	12
96101633	6	12
96101634	6	12
96101635	6	12

NUMERICAL INDEX

PART NO.	PAGE	ITEM
96101832	11	24
	14	32
96101845	11	1
	14	31
96101846	11	25
	14	33
96101993	2	13
96101995	2	3
96102010	14	35
96102225	2	12
96102789	6	12
96102795	10	19
96102891	11	15
	14	20
96103042	6	19
96103043	6	19
96103069	6	11
96103868	11	26
97000034	11	20
	14	12
97100001	6	8
97100004	4	35
97100005	4	34
97100006	6	9
97100016	12	7
	14	7
97100018	6	18
97100175	18	20
97100176	18	20
97100177	18	22
97100663	6	30
97100664	6	31
98001536	10	31
98001541	10	32
98001547	10	36
98001550	10	33
98001576	10	16
98001577	10	4
98001618	10	1
98001626	10	45
98002114	15	7
	16	7
98002115	15	6
	16	6
98009008	2	9
	4	10
	6	7
98009009	4	36
	6	6
	6	28
98009013	4	25
98009017	4	24
98009022	4	9
98009027	11	5
	14	29
	19	6
98009030	4	33

PART NO.	PAGE	ITEM
98009031	11	6
	14	28
	19	4
98009032	4	40
98009033	11	7
	14	27
	19	3
98009034	4	37
	6	27
98009037	4	4
98009039	4	6
98009055	4	27
98009061	6	13
98009065	19	9
98009066	19	10
98009071	12	8
	14	14
	19	14
98009077	4	38
	6	6
98009078	4	5
98009085	4	21
98009092	11	8
	14	16
	19	13
98009138	4	14
98009144	19	16
98009149	6	21
98009150	4	41
	6	20
98009168	4	22
98009169	4	19
	6	15
98009172	12	9
	14	8
	18	17
	19	7
98009173	19	1
98009175	4	2
98009189	2	10
98009230	6	29
98009233	11	18
	14	23
98019176	4	17
	6	4
	6	24
98019230	4	16
	6	5
	6	23
98100005	4	7
98100028	4	29
98100037	11	4
	14	30
98100040	4	23
98100045	6	16
98100053	4	30
98100099	4	1
98100135	10	20

PART NO.	PAGE	ITEM
99100011	12	1
	14	2

NOTES

SNO-WAY[®] INTERNATIONAL, INC.

SNO-WAY[®]
SNOW & ICE CONTROL EQUIPMENT

Hartford, WI 53027 USA
Website: www.snoway.com
©2007 Sno-Way[®] International