

SNO-WAY[®]

SNOW & ICE CONTROL EQUIPMENT

SERVICE PARTS MANUAL

26 SERIES SNOW PLOWS
FOR PLOW SERIAL NUMBERS AFTER
26D100000
26G100000



TABLE OF CONTENTS

	Page
PARTS LIST INTRODUCTION.....	2
POWER PACK FRAME.....	3
BLADES.....	6
HYDRAULIC SYSTEM - GRAVITY DOWN.....	7
HYDRAULIC SYSTEM - DOWN PRESSURE.....	8
HYDRAULIC POWER UNIT - GRAVITY DOWN SYSTEM.....	9
HYDRAULIC POWER UNIT - DOWN PRESSURE SYSTEM.....	11
LIFT CYLINDER - GRAVITY DOWN SYSTEM.....	14
LIFT CYLINDER - DOWN PRESSURE SYSTEM.....	15
ANGLE CYLINDERS	16
POWER PACK WIRING	17
CONTROL SYSTEM WIRING.....	18
AUXILIARY LIGHTS - S.N. : 26D100000 - 26D100149.....	19
AUXILIARY LIGHTS - S.N. AFTER: 26D100150, 26G100000.....	21
NUMERICAL INDEX	23

PARTS LIST INTRODUCTION

Our dealership network stands by to provide you with any assistance you may require, including genuine Sno-Way service parts. All parts should be obtained from or ordered through your dealer. Give complete information about the part as well as the Model Number and Serial Number of your machine.

Record the Serial Number in the space provided in your Owner's Manual for quick reference. The Serial Number for the unit is on a plate located on the left frame gusset of the Hopper Frame.

"Right" and "Left" are determined from a position sitting on the Operators Seat of the vehicle.

We reserve the right to make changes or improvements in the design or construction of any part without incurring the obligation to install such changes in any unit previously delivered.

USING THIS PARTS LIST

Below is parts listing with four columns. The first column is the "ITEM", the second is the "PART NUMBER", The third is the "DESCRIPTION" and the fourth is the "QUANTITY".

The **"ITEM"** is the number used in the corresponding illustration.

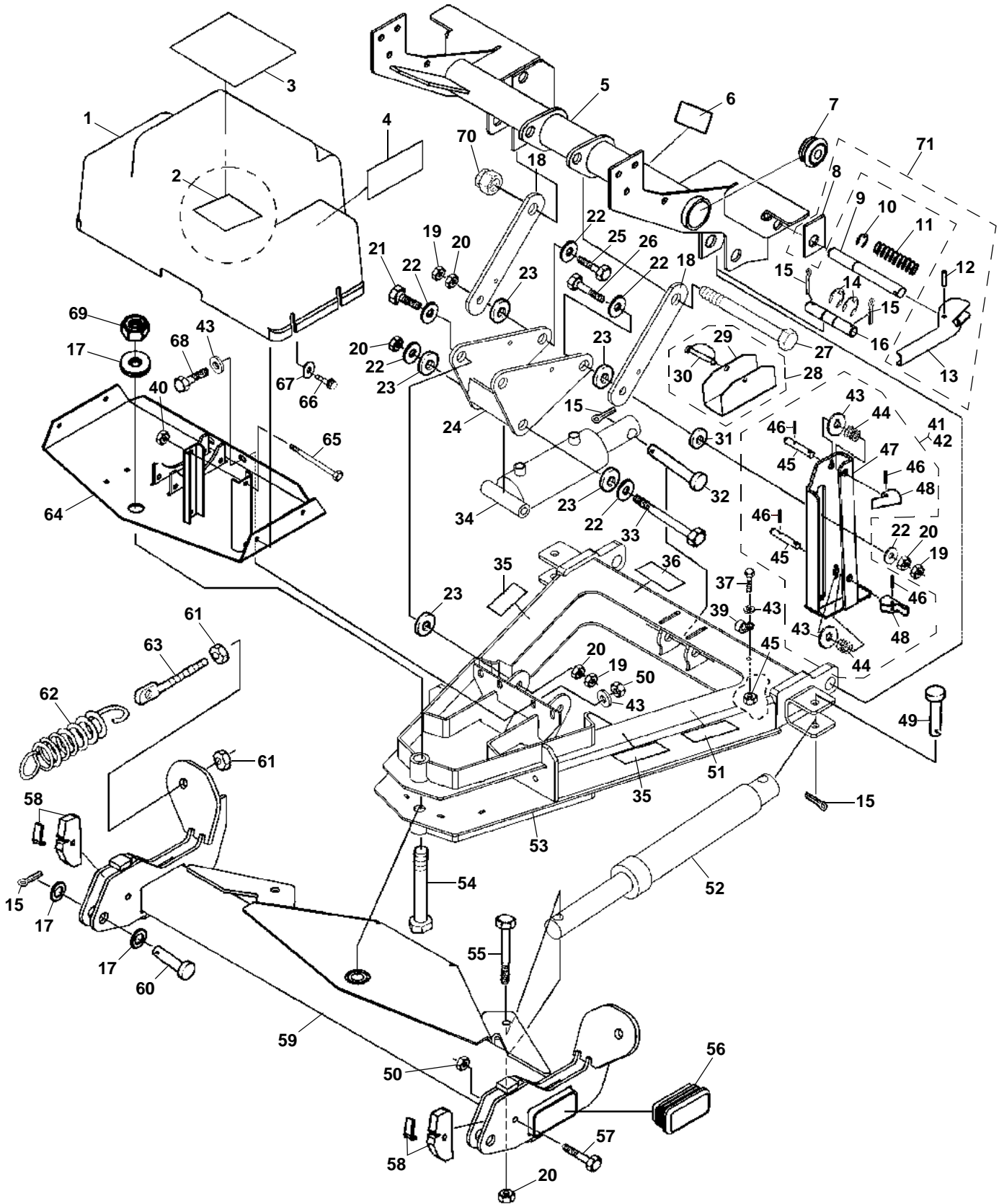
The **"PART NO."** Is the number used to order replacement parts. If a number does not appear in the column the part is only available by ordering the complete assembly.

The **"DESCRIPTION"** is the name of the replacement part. At times the name may be indented, this means that the indented parts are part of the preceding assembly.

The **"QTY."** Is the quantity needed to service the assembly illustrated, not the complete product.

ITEM	PART NO.	DESCRIPTION	QTY.
196100083	O-ring	1	
296001529	Elbow	3	
398100036	Capscrew, Hex.,3/8"-16NC x 7/8"9		

POWER PACK FRAME

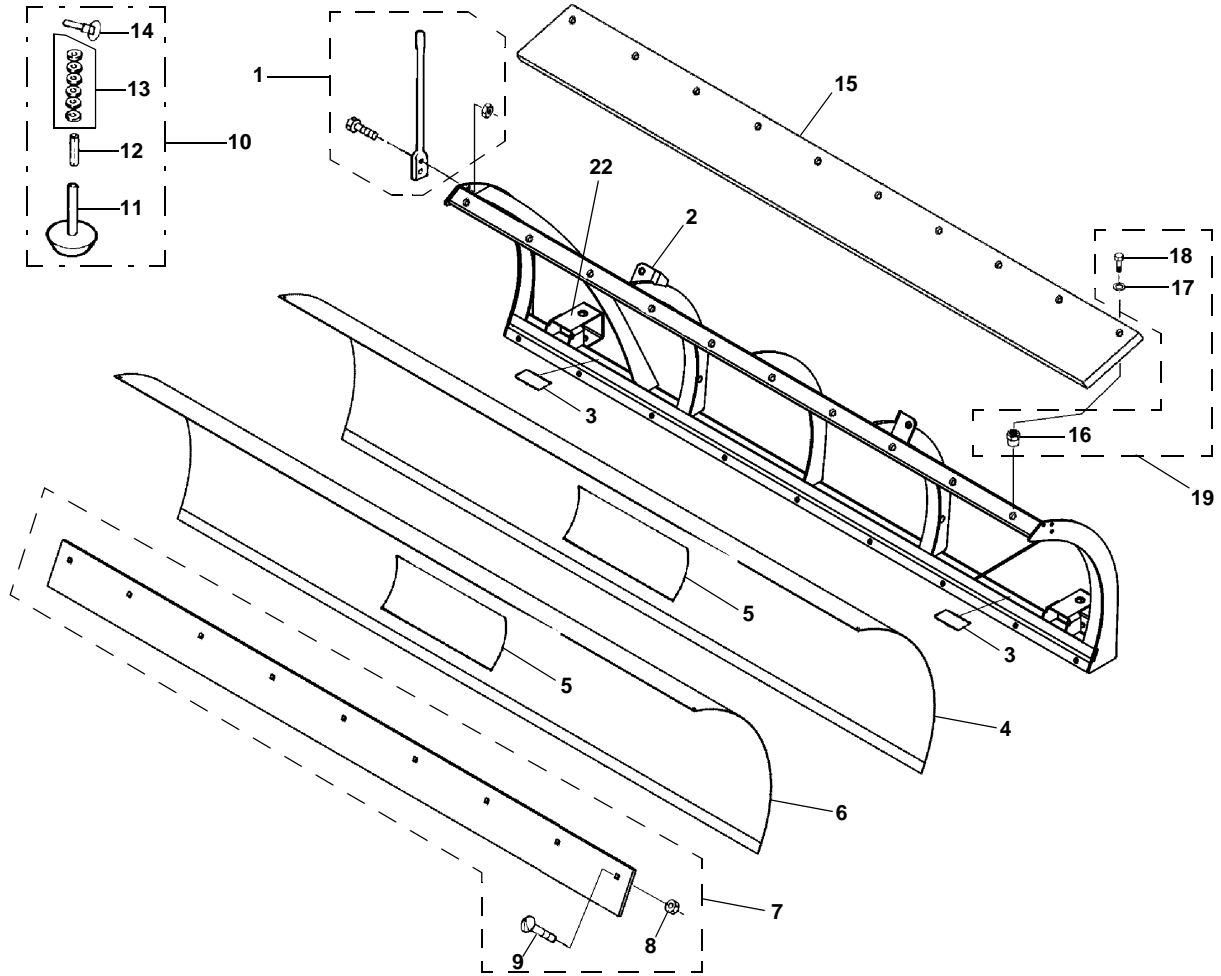


POWER PACK FRAME

ITEM	PART NO.	DESCRIPTION	QTY
1	96106073	Cover, Pump	1
2	97100750	Decal, DP System.....	1
	97100752	Decal, Gravity System	1
3	97100986	Decal, Mounting Instructions	1
4	97101087	Decal, Warning, Cover Removal.....	1
5	96109015	Light/Lift Bar, Quick-Attach	1
	96107551	Assembly, Light/Lift Bar, Quick-Attach (includes items 8, 9, 10, 11, 12, 13) ...	1
6	97100400	Decal, Warning	1
7	96108873	End Cap, 2-1/4"	2
8	96107329	Plate, Bearing, Polyethylene (for plows with vertical cams).....	2
	96110515	Plate, Bearing, Polyethylene (for plows with horizontal cams, use kit item 71)	2
9	96107128	Pin, Quick-Tatch - Upper Hitch Pin (for plows with horizontal cams)	2
	96107012	Pin, Quick-Tatch - Upper Hitch Pin (for plows with vertical cams)	2
10	98100312	E-Ring.....	2
11	96107130	Spring, SS (for plows with horizontal cams)	2
	96107505	Spring, SS (for plows with vertical cams)	2
12	98100313	Pin, Roll, 1/4 x 1-3/8" SS	2
13		Handle, Quick-Release (for plows with horizontal cams) (use kit item 71)	
	96107013	Handle, Quick-Release (for plows with vertical cams).....	2
14	98100326	E-Ring, 7/8"	4
15	98009085	Pin, Cotter, 5/32" x 1-1/2"	9
16	96107014	Pin, Quick Hitch - Lower Hitch Pin	2
17	98009030	Washer, Flat, 3/4"	5
18	96106913	Link, Lift	2
19	98100172	Nut, Jam, 1/2"-13	4
20	98009013	Nut, Nylock, 1/2"-13	7
21	98100390	Cap Screw, Hex, 1/2"-13 x 1-3/4"	2
22	98100176	Washer, Hardened.....	7
23		Spacer, Lift Bar (Available only in Kit)	
	96110394	Kit, Spacer (includes item 27, 70, two of item 19, 20, 21, and six of item 23)	6
24	96105618	Bellcrank	1
25	98100010	Cap Screw, Hex, 1/2"-13 x 2".....	1
26	98100062	Cap Screw, Hex, 1/2"-13 x 2-1/4"	1
27	98100324	Cap Screw, Hex, 3/4"-10 x 6-1/2"	1
28	96107767	Clamp, Cylinder Lock, Gravity Down	1
	96107768	Clamp, Cylinder Lock, Down Pressure	1
29		Clamp, Cylinder Lock, Gravity Down	1
		Clamp, Cylinder Lock, Down Pressure	1
30		Pin, Wire Lock.....	1
31	96106987	Spacer, Stand	1
32	98100007	Pin, Clevis, 3/4" x 4".....	1
33	98009114	Cap Screw, Hex, 1/2"-13 x 6".....	1
34	96106076	Cylinder, Lift, Gravity Down	1
	96106077	Cylinder, Lift, Down Pressure	1
35	97100876	Decal, Warning, Pinch Point	2
36	97100005	Decal, Patent	1
37	98009027	Cap Screw, Hex, 1/4"-20 x 1".....	1
38	98100254	Washer, Flat, 1/4"	1
39	96101891	Clamp, Tube.....	1
40	98100255	Nut, Nylock, 1/4"-20.....	2
41	96107532	Jackstand Assembly, 22/26 Series	1
42	96107711	Kit, Jackstand Hardware (includes one ea. items 43, 44, 20, two item 48)	2
43	98009032	Washer, 3/8"	6
44		Spring, Latch	2

45		Pin, Latch	2
46		Roll Pin, 5/32" x 7/8"	4
47	96106986	Jackstand	1
48		Cam, Jackstand	2
49	98100314	Pin, Clevis, 1/2" x 3"	2
50	98009009	Nut, Hex Nylock, 3/8"-16	4
51	97100001	Decal, Warning	1
52	96110952	Cylinder, Angle, 1-1/4" (See page 16 for parts breakdown).....	2
53	96107513	A-Frame	1
54	98100325	Cap Screw, Hex, 3/4"-10 x 7"	1
55	98009036	Cap Screw, Hex, 1/2"-13 x 3-1/2"	2
56	96108876	End Cap, 2 x 4"	2
57	98100020	Cap Screw, Hex, 3/8"-16 x 1-3/4"	2
58	96107395	Kit, Cushion/Stop, Blade Trip	1
59	96106148	Frame, Swing	1
60	98100315	Pin, Clevis, 3/4" x 2"	2
61	98009078	Nut, Hex, 5/8"-11	4
62	96001392	Spring, Trip.....	2
63	98009037	Eye Bolt, 5/8"-11 x 6"	2
64	96106184	Platform, Pump	1
65	98100266	Cap Screw, Hex, 1/4"-20 x 6"	1
66	98019176	Screw, Flange Head, Self-Tapping, 5/16" x 1"	4
67	98019230	Washer, Flat, 5/16"	4
68	98009022	Cap Screw, Hex, 3/8"-16 x 1"	2
69	98100323	Nut, Hex, 3/4"-10.....	1
70	98009003	Nut, Nylock, 3/4"-10	1
71	99100953	Kit, Cam Handle (includes item 8,12, and 13)	2

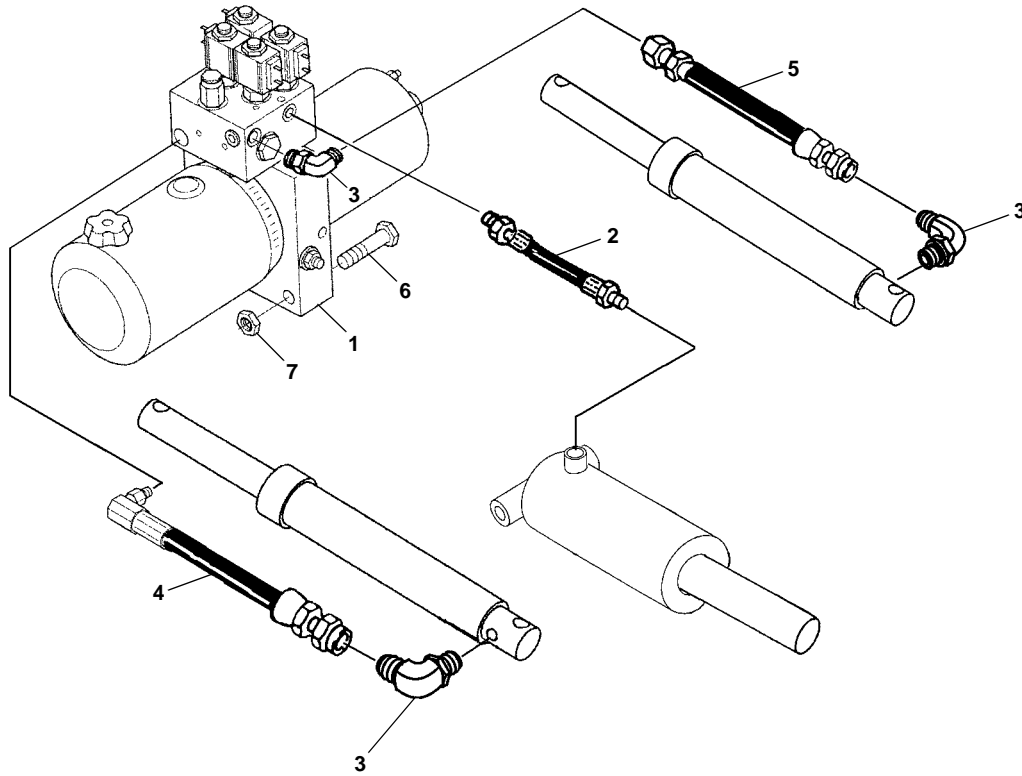
BLADES



ITEM	PART NO.	DESCRIPTION	QTY
1	96106696	Kit, Guide, Blade (Includes 2 Guides And Mounting Hardware).....	1
2		Frame, 80"	1
		Frame, 90"	1
3	97100018	Decal, Warning.....	2
4	96107647	Kit, Skin, Polycarbonate, 80" (Includes "Sno-Way" Decal)	1
	96107648	Kit, Skin, Polycarbonate, 90" (Includes "Sno-Way" Decal)	1
5	97100879	Decal, Sno-Way (Used With Steel Blade)	1
	97100880	Decal, Sno-Way (Used With Polycarbonate Blade)	1
6	96107555	Blade Skin, Steel, 80" (Includes "Sno-Way" Decal).....	1
	96107557	Blade Skin, Steel, 90" (Includes "Sno-Way" Decal).....	1
7	96107649	Kit, Wearstrip, Steel, 80".....	1
	96106668	Kit, Wearstrip, Steel, 90".....	1
8	98009013	Nut, Hex., Nylock, 1/2" - 13.....	9
9	98009171	Bolt, Carriage, Gr. 5, 1/2"-13 x 1-1/2"	9
10	96102542	Assembly, Shoe.....	2
11		Shoe, Cast, 1" Shaft	1
12		Spacer, 1"	1
13	98009005	Washer, Flat, 1"	13
14	98009169	Pin, Lynch, 1/4" x 1-9/16"	1
15	96106254	Deflector, Straight (All Blades).....	1
16	98100100	Nut Insert, Threaded	9
17	98009230	Washer, Plain, 5/16"	9
18	98009149	Bolt, Hex, 5/16"-18 x 1"	9
19	96106380	Kit, Hardware.....	1
20*	99100490	Kit, Deflector, Curled (All Blades, Includes Hardware)	1
21*	96101257	Hardware Kit, Curled Deflector.....	1
22	96106375	Brkt., Shoe, 29, 26.....	2

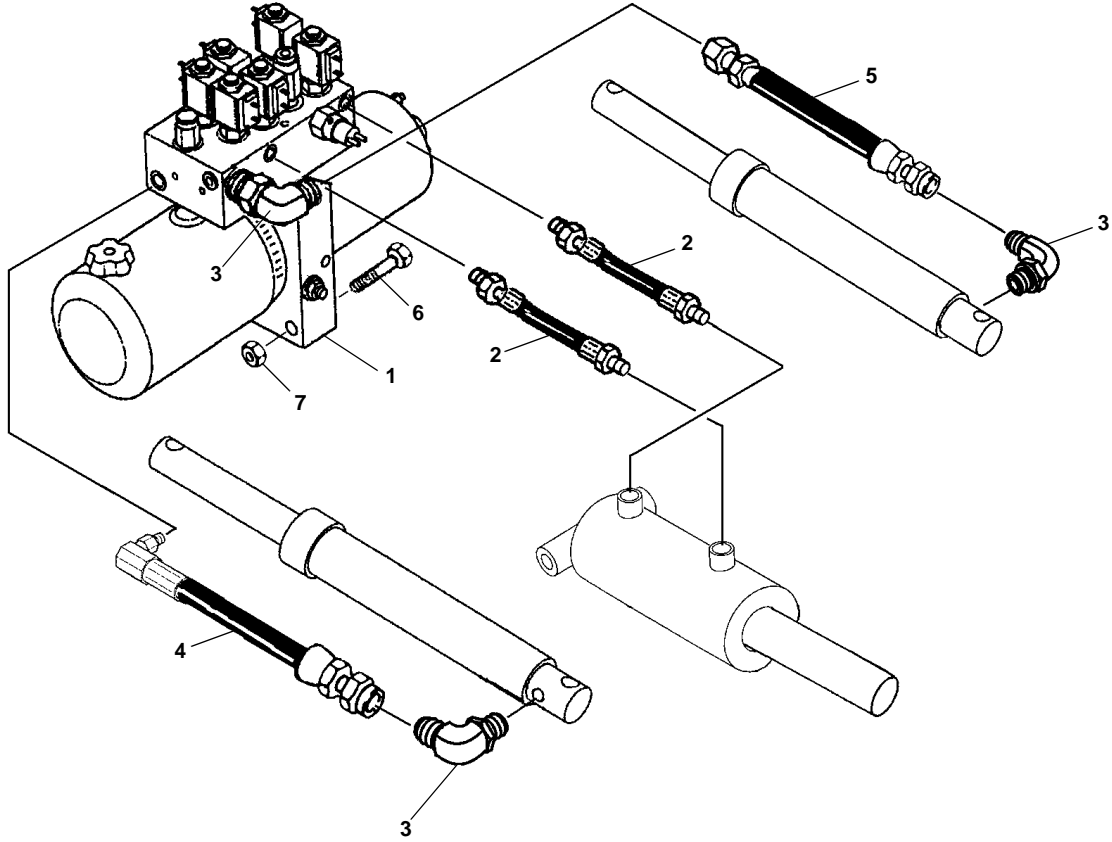
* NOT SHOWN

HYDRAULIC SYSTEM GRAVITY DOWN



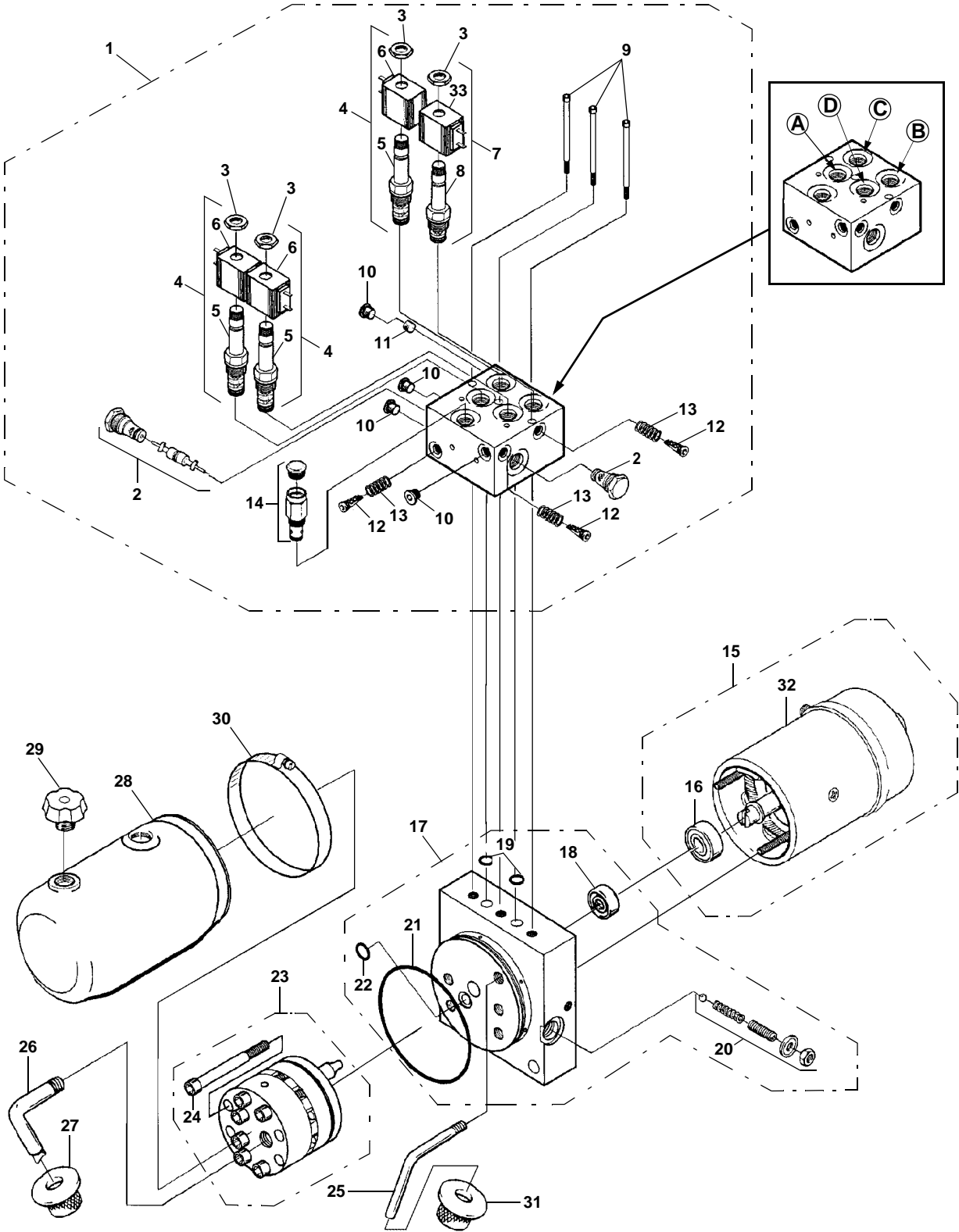
ITEM	PART NO.	DESCRIPTION	QTY
1	96105076	Power Unit, Gravity (See Page 9 for parts breakdown)	1
2	96106069	Hose, Hydraulic, 18-3/4"	1
3	96100001	Fitting, Elbow, 90 Degree	3
4	96106070	Hose, Hydraulic, 27-1/2"	1
5	96106071	Hose, Hydraulic, 32"	1
6	98100264	Capscrew, Hex Head, 5/16"-18 x 2-1/4"	2
7	98009150	Nylock, Hex Head, 5/16"-18	2

HYDRAULIC SYSTEM DOWN PRESSURE



ITEM	PART NO.	DESCRIPTION	QTY
1	96105075	Power Unit, DP (See Page 11 for parts breakdown)	1
2	96106069	Hose, Hydraulic, 18-3/4"	2
3	96100001	Fitting, Elbow, 90 Degree	3
4	96106070	Hose, Hydraulic, 27-1/2"	1
5	96106071	Hose, Hydraulic, 32"	1
6	98100264	Capscrew, Hex Head, 5/16"-18 x 2-1/4"	2
7	98009150	Nylock, Hex Head, 5/16"-18	2

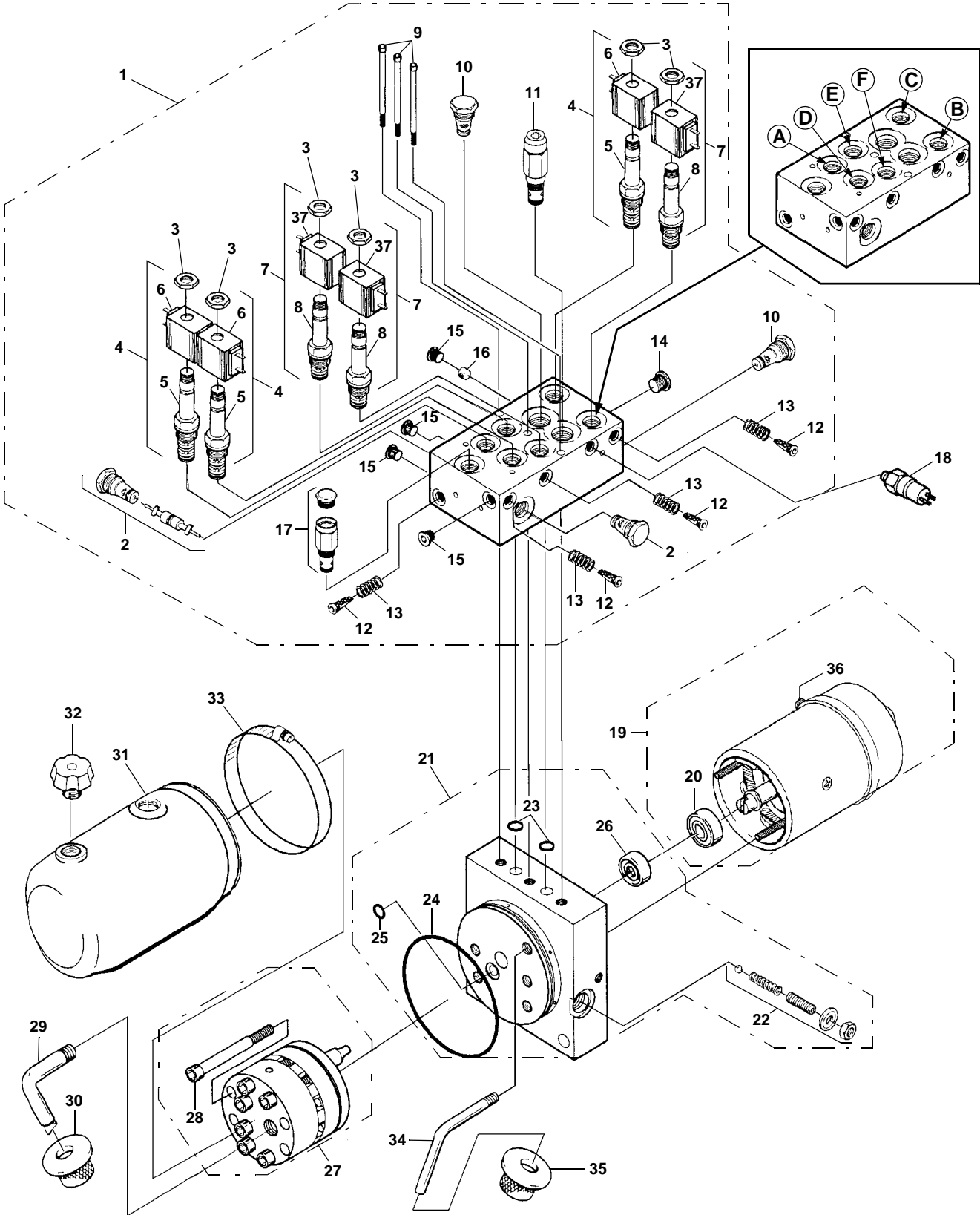
HYDRAULIC POWER UNIT GRAVITY DOWN SYSTEM



HYDRAULIC POWER UNIT GRAVITY DOWN SYSTEM

ITEM	PART NO.	DESCRIPTION	QTY
1		Valve Assembly.....	1
2	96106273	Valve, Check	1
3	96105275	Nut, Coil Retaining.....	4
4		Valve, 10V DC (Red Coil) - Use part 96108341	3
	96108341	Valve, 3-Way, 10V DC (Black Coil)	3
5		Cartridge (Red Coil) - Use part 96108341.....	3
	96108324	Cartridge, 3-Way (Black Coil)	3
6	96105274	Coil, 10V DC (Red).....	4
	96108323	Coil, 10V DC (Black).....	4
7		Valve, 10V DC (Red Coil) - Use part 96108342	1
	96108342	Valve, 2-Way, 10V DC (Blue Coil).....	1
8		Cartridge (Red Coil) - Use part 96108342.....	1
	96108325	Cartridge, 2-Way (Blue Coil).....	1
9	96105237	Screw.....	3
10	96105234	Fitting, Plug.....	4
11	96105255	Fitting, Orifice	1
	96108627	Kit, Orifice (to adjust drop rate).....	1
12	96105250	Screen, Inline.....	3
13	96105251	Spring, Retaining	3
14	96105243	Valve, Relief, Cross Over	1
15	96106802	Motor, 12V DC	1
16		Bearing, Motor Base	1
17	96105232	Base Assembly, Pump	1
18	96105317	Seal, Shaft	1
19	96105314	O-Ring	2
20	96105313	Parts Kit, Relief Valve	1
21	96105315	O-Ring	1
22	96105316	O-Ring	1
23	96105248	Pump Assembly.....	1
24		Screw, Socket Head Cap	4
25	96105249	Tube, Return	1
26	96105246	Tube, Suction	1
27	96105245	Filter, Suction	1
28	96105241	Reservoir	1
29	96105244	Filler Cap	1
30	96105231	Clamp	1
31	96105318	Filter, Return	1
32	96106803	Brush, Replacement Kit.....	1
33	96111171	Coil, 10V DC (Blue Coil)	1

HYDRAULIC POWER UNIT DOWN PRESSURE SYSTEM

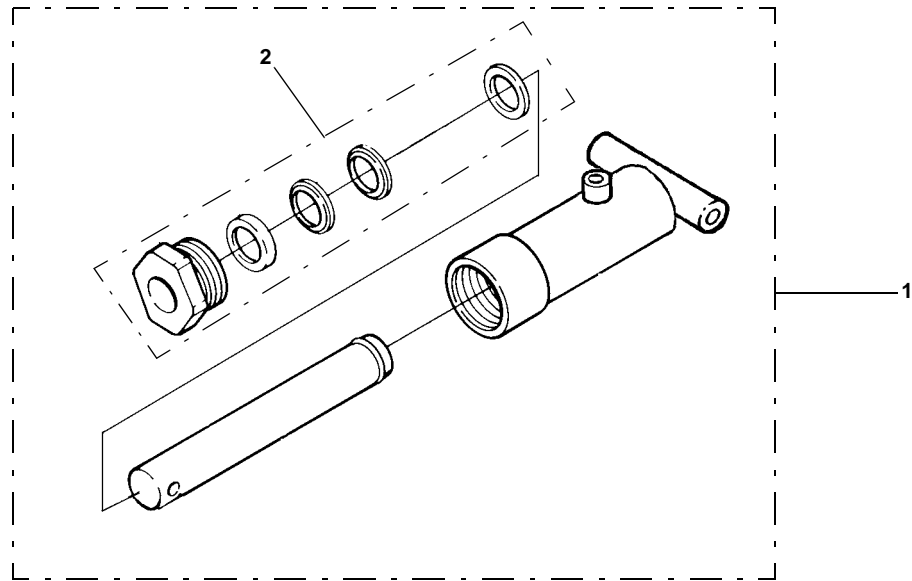


HYDRAULIC POWER UNIT DOWN PRESSURE SYSTEM

ITEM	PART NO.	DESCRIPTION	QTY
1		Valve Assembly	1
2	96106273	Valve, Check	1
3	96105275	Nut, Coil Retaining	6
4		Valve, 10V DC (Red Coil) - Use part 96108341	3
	96108341	Valve, 3-Way, 10V DC (Black Coil).....	3
5		Cartridge (Red Coil) - Use part 96108341	3
	96108324	Cartridge, 3-Way (Black Coil).....	3
6	96105274	Coil, 10V DC (Red)	6
	96108323	Coil, 10V DC (Black)	6
7		Valve, 10V DC (Red Coil) - Use part 96108342	3
	96108342	Valve, 2-Way, 10V DC (Blue Coil)	3
8		Cartridge (Red Coil) - Use part 96108342	3
	96108325	Cartridge, 2-Way (Blue Coil)	3
9	96105237	Screw	3
10	96105238	Valve, Check	2
11	96105253	Valve, Relief, Down Pressure (460-500 psi).....	1
12	96105250	Screen, Inline	4
13	96105251	Spring, Retaining.....	4
14	96105240	Fitting, Plug	2
15	96105234	Fitting, Plug	4
16	96105255	Fitting, Orifice	1
	96108627	Kit, Orifice (to adjust drop rate)	1
17	96105243	Valve, Relief, Crossover (2000 psi)	1
18	96101976	Switch, Pressure (325 psi)	1
19	96106802	Motor, 12V DC.....	1
20		Bearing, Motor Base	1
21	96105232	Base Assembly, Pump	1
22	96105313	Parts Kit, Relief Valve.....	1
23	96105314	O-Ring.....	2
24	96105315	O-Ring.....	1
25	96105316	O-Ring.....	1
26	96105317	Seal, Shaft.....	1
27	96105248	Pump Assembly	1
28		Screw, Socket Head Cap	4
29	96105246	Tube, Suction	1
30	96105245	Filter	1
31	96105241	Reservoir.....	1
32	96105244	Filler Cap.....	1
33	96105231	Clamp.....	1
34	96105249	Tube, Return.....	1
35	96105318	Filter, Return	1
36	96106803	Brush Replacement Kit	2
37	96111171	Coil, 10V DC (Blue Coil).....	3

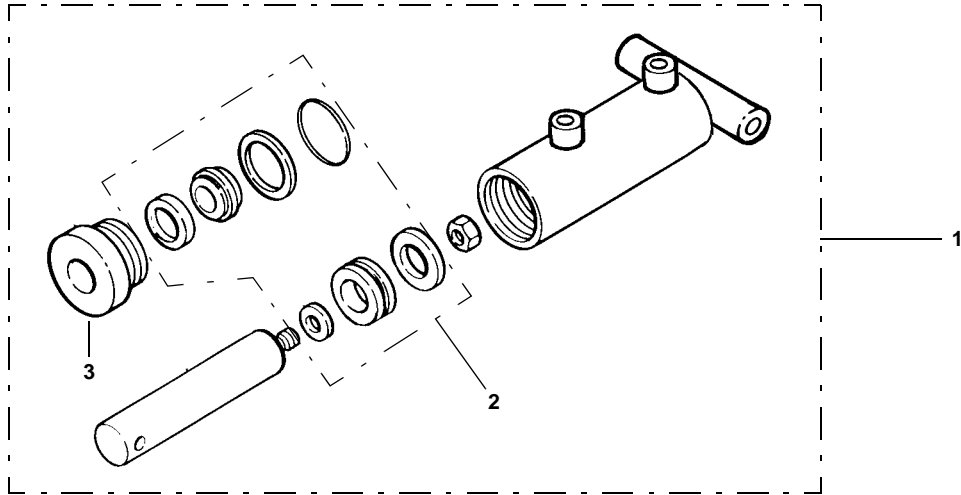
NOTES

LIFT CYLINDER GRAVITY DOWN SYSTEM



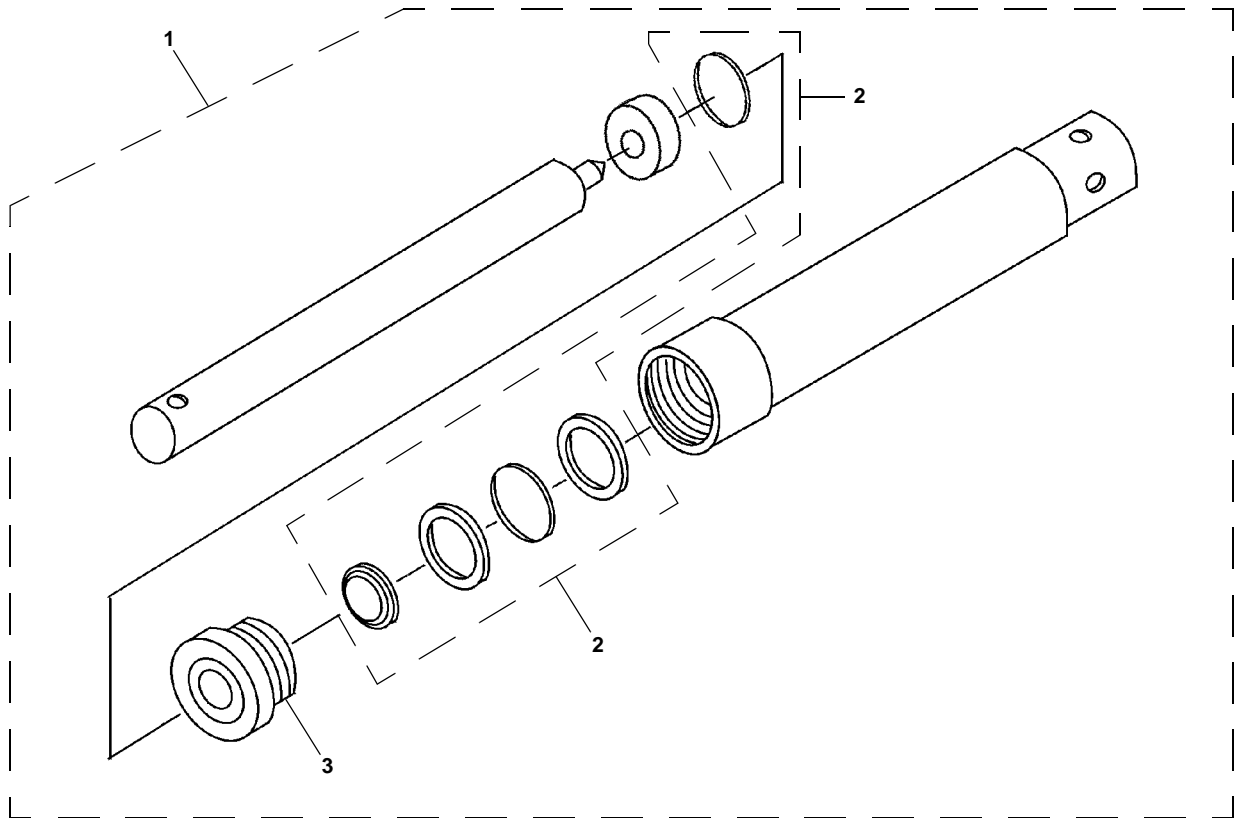
ITEM	PART NO.	DESCRIPTION	QTY
1	96106076	Cylinder, Lift, 2" (Single Action).....	1
2	96106674	Kit, Lift Cylinder Gland Nut and Seal	1
		O-Ring.....	1
		Seal, Rod	1
		Ring, Guide	1
		Seal, Wiper	1
		Gland Nut.....	1

LIFT CYLINDER DOWN PRESSURE SYSTEM



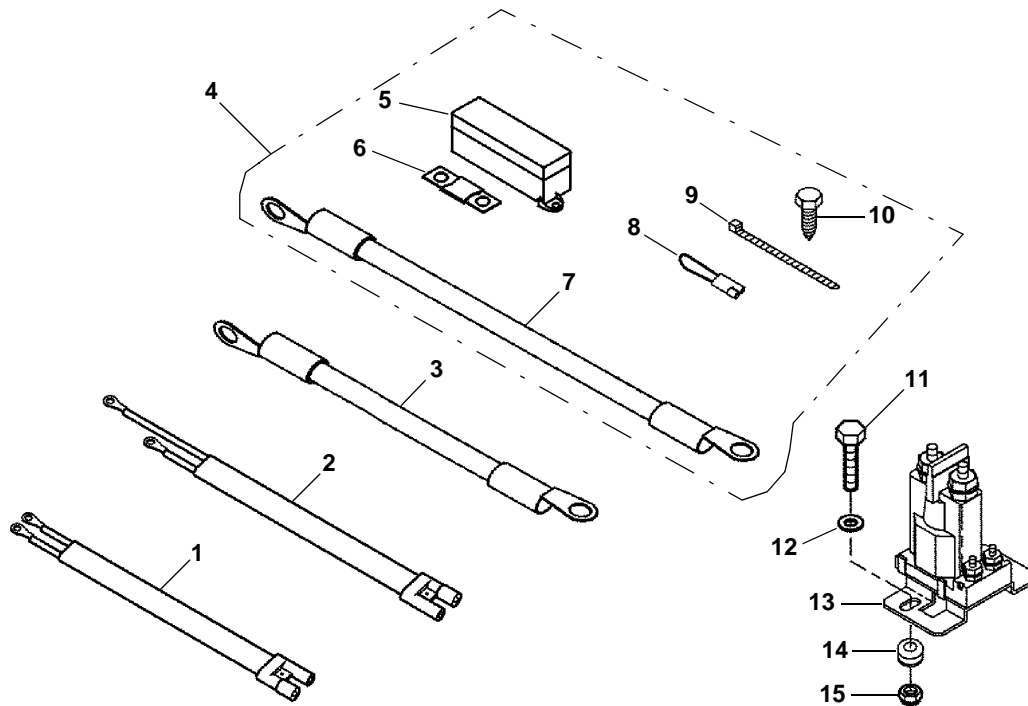
ITEM	PART NO.	DESCRIPTION	QTY
1	96106077	Cylinder, Lift, 2-1/2" (Double Action)	1
2	96101516	Kit, Seal, For 2-1/2" Cylinder.....	1
3	96100492	Nut, Gland, For 2-1/2" Cylinder.....	1

ANGLE CYLINDERS



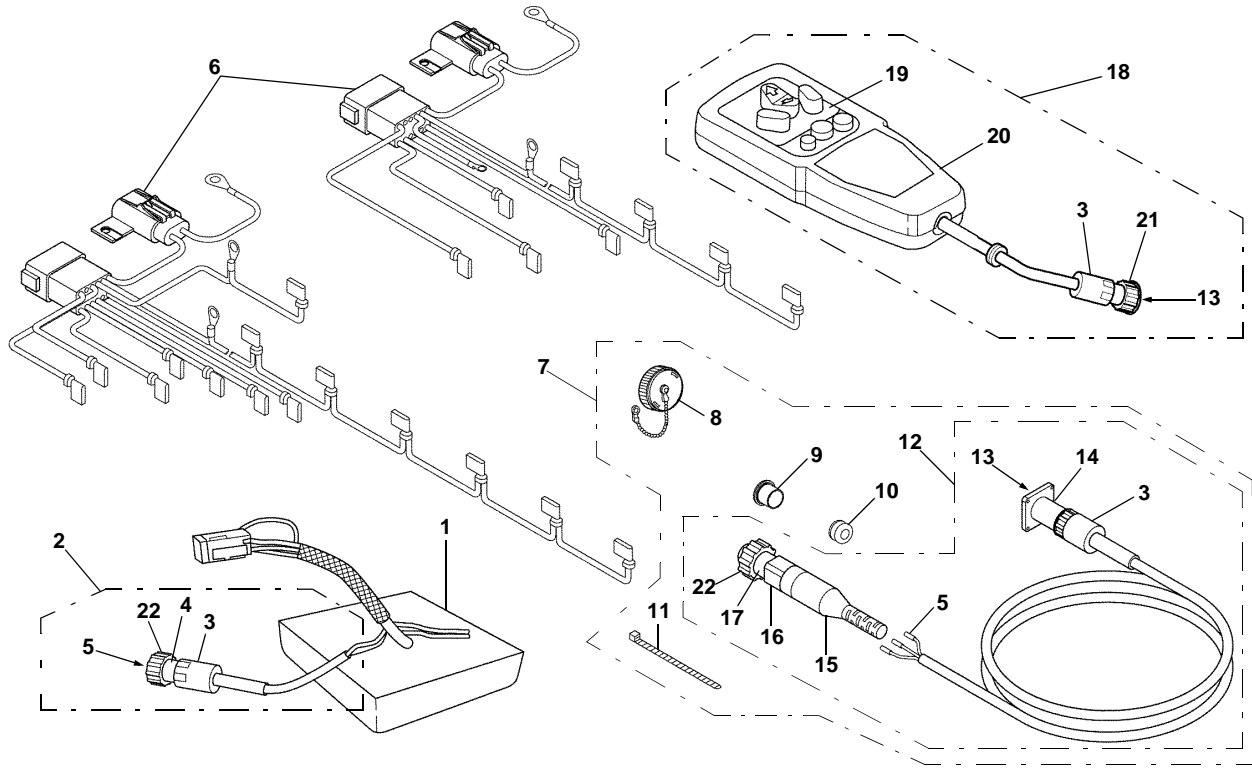
ITEM	PART NO.	DESCRIPTION	QTY
1	96110952	Cylinder, Swing, 1-1/4" (future use will replace 96107455)	2
2	96107651	Kit, Seal, Swing Cylinder (for current cylinder)	1
		O-ring	1
		Seal, Rod.....	1
		Ring, Guide, 1-1/4"	2
		Seal, Wiper	1
2	96111174	Kit, Seal, Swing Cylinder (for future use with 96110952)	1
		O-ring	2
		Seal, Rod.....	1
		Seal, Wiper	1
		Ring, Guide	1
3	96107652	Nut, Gland, Swing Cylinder (for current cylinder)	1
3	96111175	Nut, Gland, Swing Cylinder (for future use with 96110952)	1

POWER PACK WIRING



ITEM	PART NO.	DESCRIPTION	QTY
1	96104221	Harness, Battery Power.....	1
2	96104230	Harness, Plow Power.....	1
3	96105273	Harness, Solenoid - HT Series	1
4	96105167	Bag Power Harness Parts.....	1
5	96109143	Fuse Holder	1
6	96109142	Fuse, 250 Amp	1
7	96102891	Cable, Power.....	2
8	96105082	Cap, Protective	2
9	96001227	Strap, Tie Plastic.....	2
10	98100037	Screw, Self Tapping, #10-16 x 1"	4
11	98100391	Capscrew, Hex, 1/4"-20 x 7/8"	2
12	98100254	Washer, Flat, 1/4"	2
13	96002086	Switch, Solenoid	1
14	96105282	Grommet, 3/8" ID.....	2
15	98100255	Nut, Hex Head Nylock, 1/4"-20	2

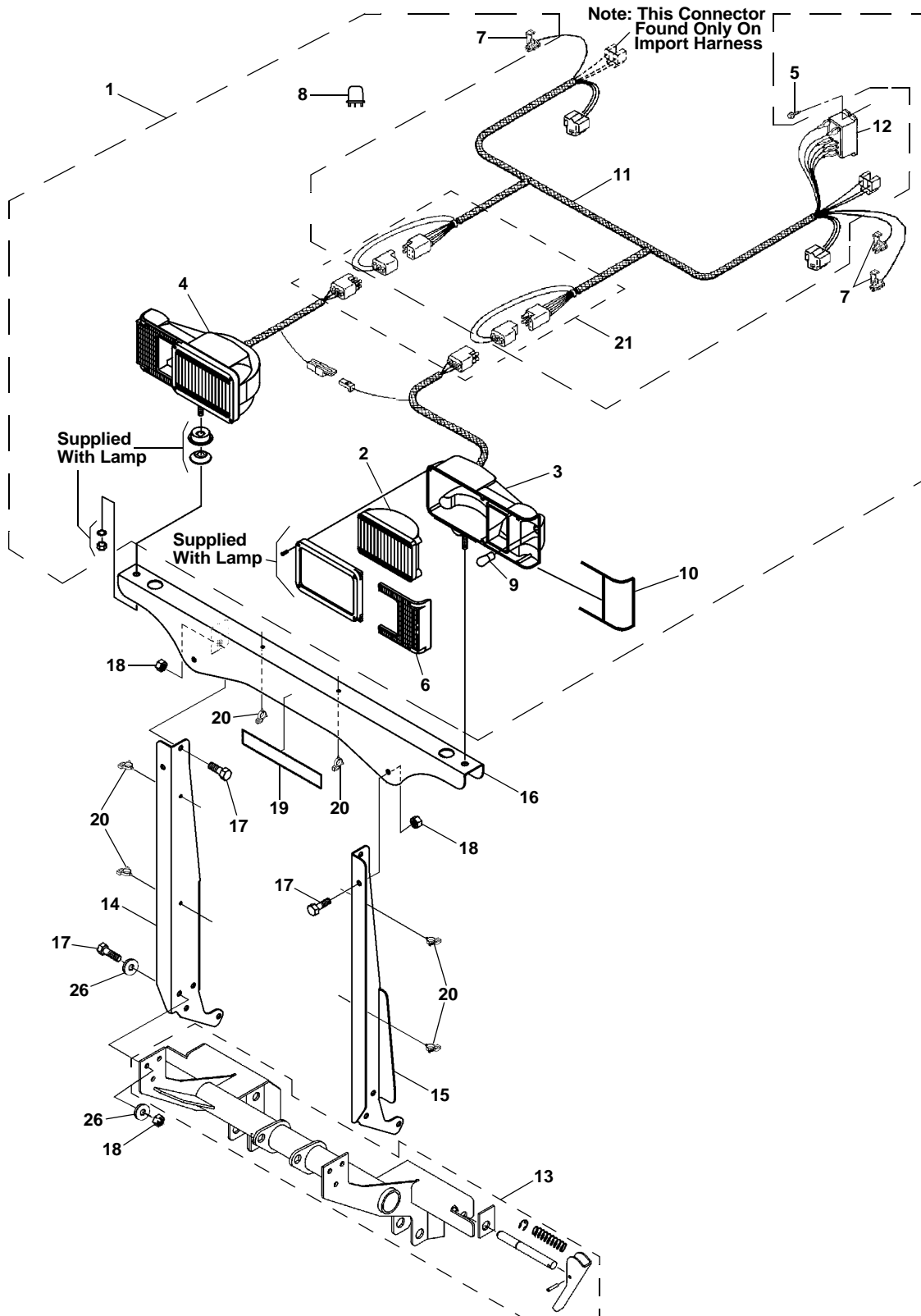
CONTROL SYSTEM WIRING



ITEM	PART NO.	DESCRIPTION	QTY
1	96105084	Module, Wired Control.....	1
	96107734	Module, Wireless Control	1
2	96105487	Harness Repair Kit	1
3	96105709	Clamp, Cable.....	3
4	96105418	Connector, Plug.....	1
5	96105370	Contact, Signal Socket	6
6	96105131	Harness, Solenoids - Gravity Down.....	1
	96108247	Harness, Solenoids - Down Pressure.....	1
7	96105081	Bag, Harness Controls	1
8	96105300	Cap, Screw-On	1
9	96105284	Cap, 1/2"	1
10	96104893	Grommet, 5/16" ID.....	1
11	96001227	Strap, Plastic Tie.....	5
12	96105101	Harness, Vehicle.....	1
13	96105416	Contact, Signal Pin.....	6
14	96105710	Connector, Receptacle, Flanged	1
15	96105419	Boot, Cable.....	1
16	96105420	Grip, Cable.....	1
17	96105708	Connector, Plug, Unsealed.....	1
18	96107354	Controller Assembly, Wired	1
	96107355	Controller Assembly, Wireless	1
19	96107356	Touch Pad, Straight Blade	1
20	96105299	Housing, Controller, Complete.....	1
21	96105417	Connector, Receptacle	1
22	96106533	Coupling Ring	2
23	96107382	Controller, Joystick, Str, Wired (not shown).....	1
	96106472	Controller, Joystick, Str, Wireless (not shown).....	1
24	96105325	Insertion Tool for Circular Connectors (not shown)	1
25	96105404	Extraction Tool for Circular Connectors (not shown)	1
26	96105877	Kit, Connector Repair (not shown) (includes: (3) #3, (1) #4, (6) #5, (6) #13,(1) #14, (1) #15, (1) #16, (1) #17, (1) #21, (1) #24 and (1) #25).....	1

AUXILIARY LIGHTS

S.N. : 26D100000 - 26D100149



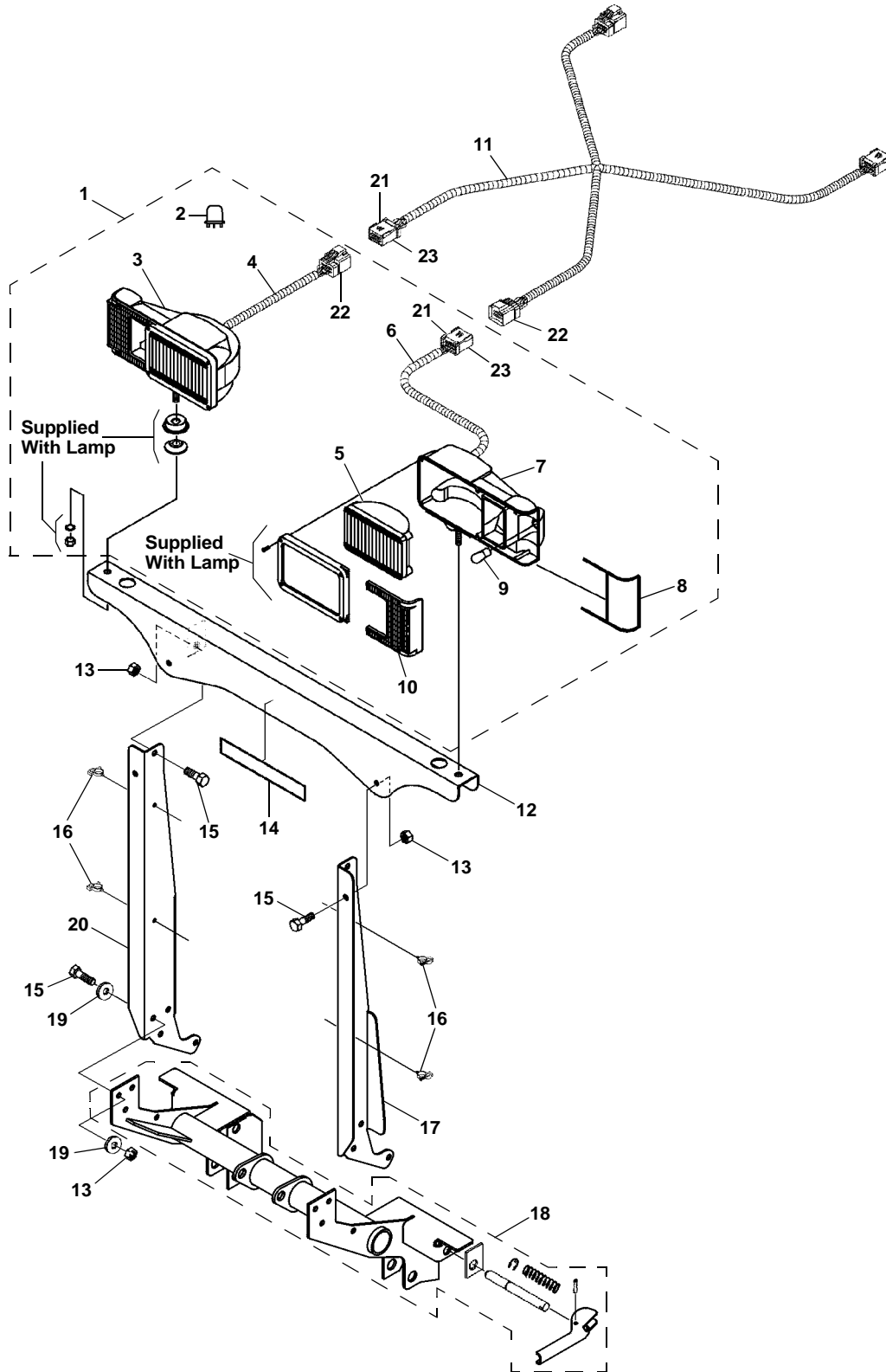
AUXILIARY LIGHTS

S.N. : 26D100000 - 26D100149

ITEM	PART NO.	DESCRIPTION	QTY
1	96106606	Kit, Lamp	1
2	96100514	Lamp, Sealed Beam	2
3	96106690	Light, Assembly, LH	1
4	96106691	Light, Assembly, RH	1
5	98100037	Screw, Self Tapping #10-16 x 1"	2
6	96106692	Lens, Turn Signal	2
7	96002039	Scotch Lock™ Connector	3
8	96003010	Flasher	1
9	96003060	Lamp, Park & Turn	2
10	96106693	Gasket, Turn Signal	2
11	99100196	Harness, Wiring, Standard	1
	99100197	Harness, Wiring, Import	1
12	96101536	Relay, DPDT	1
13	96107551	Assembly, Light/Lift Bar, Quick-Attach	1
14	96108631	Support, RH	1
15	96108630	Support, LH	1
16	96108030	Assy., Light Bar	1
17	98009022	Capscrew, Hex., 3/8"-16 x 1"	10
18	98009009	Nut, Hex., Nylock, 3/8"-16	10
19	97100882	Decal, Sno-Way	1
20	96100440	Clip, Rosebud	6
21	96102116	KIT, PLUG REPAIR	1
22		Connector, Male End	2
23		Connector, Female End	2
24		Connector, Butt	24
25		Tube, Shrink	24
26	98009032	Washer, Flat, 3/8"	6

AUXILIARY LIGHTS

S.N. AFTER: 26D100150, 26G100000



AUXILIARY LIGHTS

S.N. AFTER: 26D100150, 26G100000

ITEM	PART NO.	DESCRIPTION	QTY
1	96107893	Kit, Lamp, EIS.....	1
2	96003010	Flasher.....	1
3	96107984	Light, Assembly, RH, EIS.....	1
4	96107986	Harness, Plow Light, RH, EIS.....	1
5	96100514	Lamp, Sealed Beam	2
6	96107985	Harness, Plow Light, LH, EIS	1
7	96107983	Light, Assembly, LH, EIS	1
8	96106693	Gasket, Turn Signal	2
9	96003060	Lamp, Park & Turn	2
10	96106692	Lens, Turn Signal.....	2
11	96107894	Harness, Main Light, EIS*	1
12	96108030	Assy., Light Bar.....	1
13	98009009	Nut, Hex., Nylock, 3/8"-16	12
14	97100882	Decal, Sno-Way.....	1
15	98009022	Capscrew, Hex., 3/8"-16 x 1"	12
16	96100440	Clip, Rosebud	4
17	96108630	Support, LH	1
18	96107551	Assembly, Light/Lift Bar, Quick-Attach.....	1
19	98009032	Washer, Flat, 3/8"	8
20	96108631	Support, RH.....	1
21	96108116	Connector, Male	2
22	96108117	Connector, Female	2
23	96108600	Clip, Secondary Lock.....	2

* NOTE: Adapter required. See Application Guide

NUMERICAL INDEX

PART NO.	PAGE	ITEM	PART NO.	PAGE	ITEM	PART NO.	PAGE	ITEM
96001227	17	9	96105246	10	26		8	5
	18	11		12	29	96106073	4	1
96001392	5	62	96105248	10	23	96106076	4	34
96002039	20	7		12	27		14	1
96002086	17	13	96105249	10	25	96106077	4	34
96003010	20	8		12	34		15	1
	22	2	96105250	10	12	96106148	5	59
96003060	20	9		12	12	96106184	5	64
	22	9	96105251	10	13	96106254	6	15
96100001	7	3		12	13	96106273	10	2
	8	3	96105253	12	11		12	2
96100440	20	20	96105255	10	11	96106375	6	22
	22	16		12	16	96106380	6	19
96100492	15	3	96105273	17	3	96106472	18	23
96100514	20	2	96105274	10	6	96106533	18	22
	22	5		12	6	96106606	20	1
96101257	6	21	96105275	10	3	96106668	6	7
96101516	15	2		12	3	96106674	14	2
96101536	20	12	96105282	17	14	96106690	20	3
96101891	4	39	96105284	18	9	96106691	20	4
96101976	12	18	96105299	18	20	96106692	20	6
96102116	20	21	96105300	18	8		22	10
96102542	6	10	96105313	10	20	96106693	20	10
96102891	17	7		12	22		22	8
96104221	17	1	96105314	10	19	96106696	6	1
96104230	17	2		12	23	96106802	10	15
96104893	18	10	96105315	10	21		12	19
96105075	8	1		12	24	96106803	10	32
96105076	7	1	96105316	10	22		12	36
96105081	18	7		12	25	96106913	4	18
96105082	17	8	96105317	10	18	96106986	5	47
96105084	18	1		12	26	96106987	4	31
96105101	18	12	96105318	10	31	96107012	4	9
96105131	18	6		12	35	96107013	4	13
96105167	17	4	96105325	18	24	96107014	4	16
96105231	10	30	96105370	18	5	96107128	4	9
	12	33	96105404	18	25	96107130	4	11
96105232	10	17	96105416	18	13	96107329	4	8
	12	21	96105417	18	21	96107354	18	18
96105234	10	10	96105418	18	4	96107355	18	18
	12	15	96105419	18	15	96107356	18	19
96105237	10	9	96105420	18	16	96107382	18	23
	12	9	96105487	18	2	96107395	5	58
96105238	12	10	96105618	4	24	96107505	4	11
96105240	12	14	96105708	18	17	96107513	5	53
96105241	10	28	96105709	18	3	96107532	4	41
	12	31	96105710	18	14	96107551	4	5
96105243	10	14	96105877	18	26		20	13
	12	17	96106069	7	2		22	18
96105244	10	29		8	2	96107555	6	6
	12	32	96106070	7	4	96107557	6	6
96105245	10	27		8	4	96107647	6	4
	12	30	96106071	7	5	96107648	6	4

NUMERICAL INDEX

PART NO.	PAGE	ITEM	PART NO.	PAGE	ITEM	PART NO.	PAGE	ITEM
96107649	6	7	97100752	4	2	98100313	4	12
96107651	16	2	97100876	4	35	98100314	5	49
96107652	16	3	97100879	6	5	98100315	5	60
96107711	4	42	97100880	6	5	98100323	5	69
96107734	18	1	97100882	20	19	98100324	4	27
96107767	4	28		22	14	98100325	5	54
96107768	4	28	97100986	4	3	98100326	4	14
96107893	22	1	97101087	4	4	98100390	4	21
96107894	22	11	98009003	5	70	98100391	17	11
96107983	22	7	98009005	6	13	99100196	20	11
96107984	22	3	98009009	5	50	99100197	20	11
96107985	22	6		20	18	99100490	6	20
96107986	22	4		22	13	99100953	5	71
96108030	20	16	98009013	4	20			
	22	12		6	8			
96108116	22	21	98009022	5	68			
96108117	22	22		20	17			
96108247	18	6		22	15			
96108323	10	6	98009027	4	37			
	12	6	98009030	4	17			
96108324	10	5	98009032	4	43			
	12	5		20	26			
96108325	10	8		22	19			
	12	8	98009036	5	55			
96108341	10	4	98009037	5	63			
	12	4	98009078	5	61			
96108342	10	7	98009085	4	15			
	12	7	98009114	4	33			
96108600	22	23	98009149	6	18			
96108627	10	11	98009150	7	7			
	12	16		8	7			
96108630	20	15	98009169	6	14			
	22	17	98009171	6	9			
96108631	20	14	98009230	6	17			
	22	20	98019176	5	66			
96108873	4	7	98019230	5	67			
96108876	5	56	98100007	4	32			
96109015	4	5	98100010	4	25			
96109142	17	6	98100020	5	57			
96109143	17	5	98100037	17	10			
96110394	4	23		20	5			
96110515	4	8	98100062	4	26			
96110952	5	52	98100100	6	16			
	16	1	98100172	4	19			
96111171	10	33	98100176	4	22			
	12	37	98100254	4	38			
96111174	16	2		17	12			
96111175	16	3	98100255	4	40			
97100001	5	51		17	15			
97100005	4	36	98100264	7	6			
97100018	6	3		8	6			
97100400	4	6	98100266	5	65			
97100750	4	2	98100312	4	10			

NOTES

NOTES

SNO-WAY® INTERNATIONAL, INC.

SNO-WAY®
SNOW & ICE CONTROL EQUIPMENT

Hartford, WI 53027 USA
Website: www.snoway.com
©2007 Sno-Way® International