

# **SNO-WAY<sup>®</sup>**

**SNOW & ICE CONTROL EQUIPMENT**

## **SERVICE PARTS MANUAL**

### **ST, MT & HT SERIES SNOW PLOWS**

**ST SERIES SERIAL NUMBERS AFTER**

**STD200000**

**STG200000**

**MT SERIES SERIAL NUMBERS AFTER**

**MTD200000**

**MTG200000**

**HT SERIES SERIAL NUMBERS AFTER**

**HTD200000**

**HTG200000**

# TABLE OF CONTENTS

	Page
PARTS LIST INTRODUCTION.....	2
POWER PACK FRAME - ST SERIES.....	3
POWER PACK FRAME - MT & HT SERIES.....	5
BLADES - ST SERIES.....	7
BLADES - MT & HT SERIES.....	9
HYDRAULIC SYSTEM - GRAVITY DOWN - STG, MTG, HTG.....	11
HYDRAULIC SYSTEM - DOWN PRESSURE SYSTEM - STD, MTD, HTD .....	12
HYDRAULIC POWER UNIT - GRAVITY DOWN - STG, MTG, HTG.....	13
HYDRAULIC POWER UNIT - DOWN PRESSURE SYSTEM - STD, MTD, HTD .....	15
LIFT CYLINDERS - GRAVITY DOWN SYSTEM - STG, MTG, HTG .....	17
LIFT CYLINDERS - DOWN PRESSURE SYSTEM - STD, MTD, HTD.....	18
ANGLE CYLINDERS - ST, MT, HT .....	19
POWER PACK WIRING - ST, MT, HT .....	20
CONTROL SYSTEM WIRING - ST, MT, HT.....	21
EMERGENCY KIT.....	22
NUMERICAL INDEX .....	23

# PARTS LIST INTRODUCTION

Our dealership network stands by to provide you with any assistance you may require, including genuine Sno-Way service parts. All parts should be obtained from or ordered through your dealer. Give complete information about the part as well as the Model Number and Serial Number of your machine.

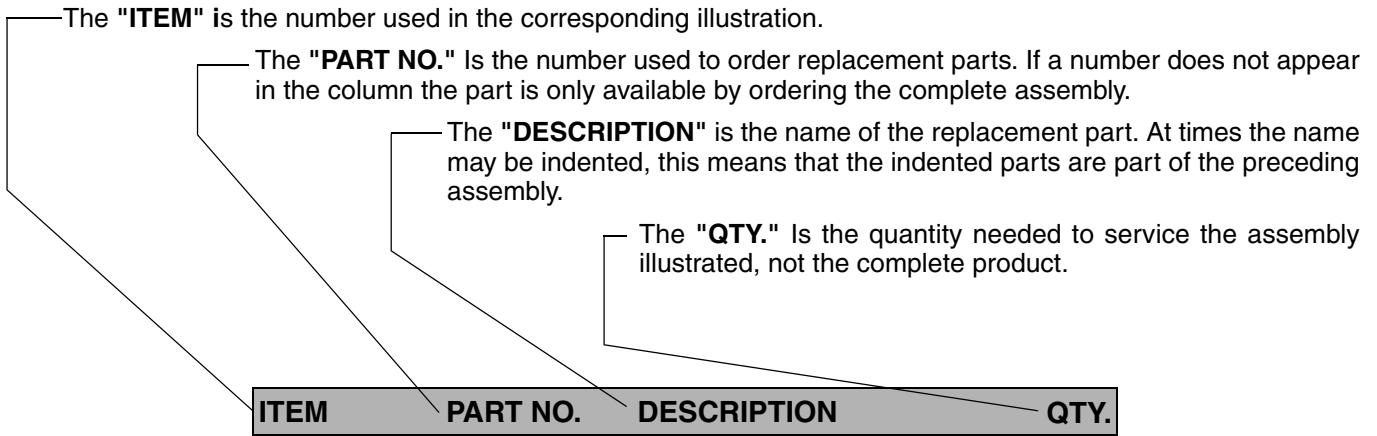
Record the Serial Number in the space provided in your Owner's Manual for quick reference. The Serial Number for the unit is on a plate located on the left frame gusset of the Hopper Frame.

"Right" and "Left" are determined from a position sitting on the Operators Seat of the vehicle.

We reserve the right to make changes or improvements in the design or construction of any part without incurring the obligation to install such changes in any unit previously delivered.

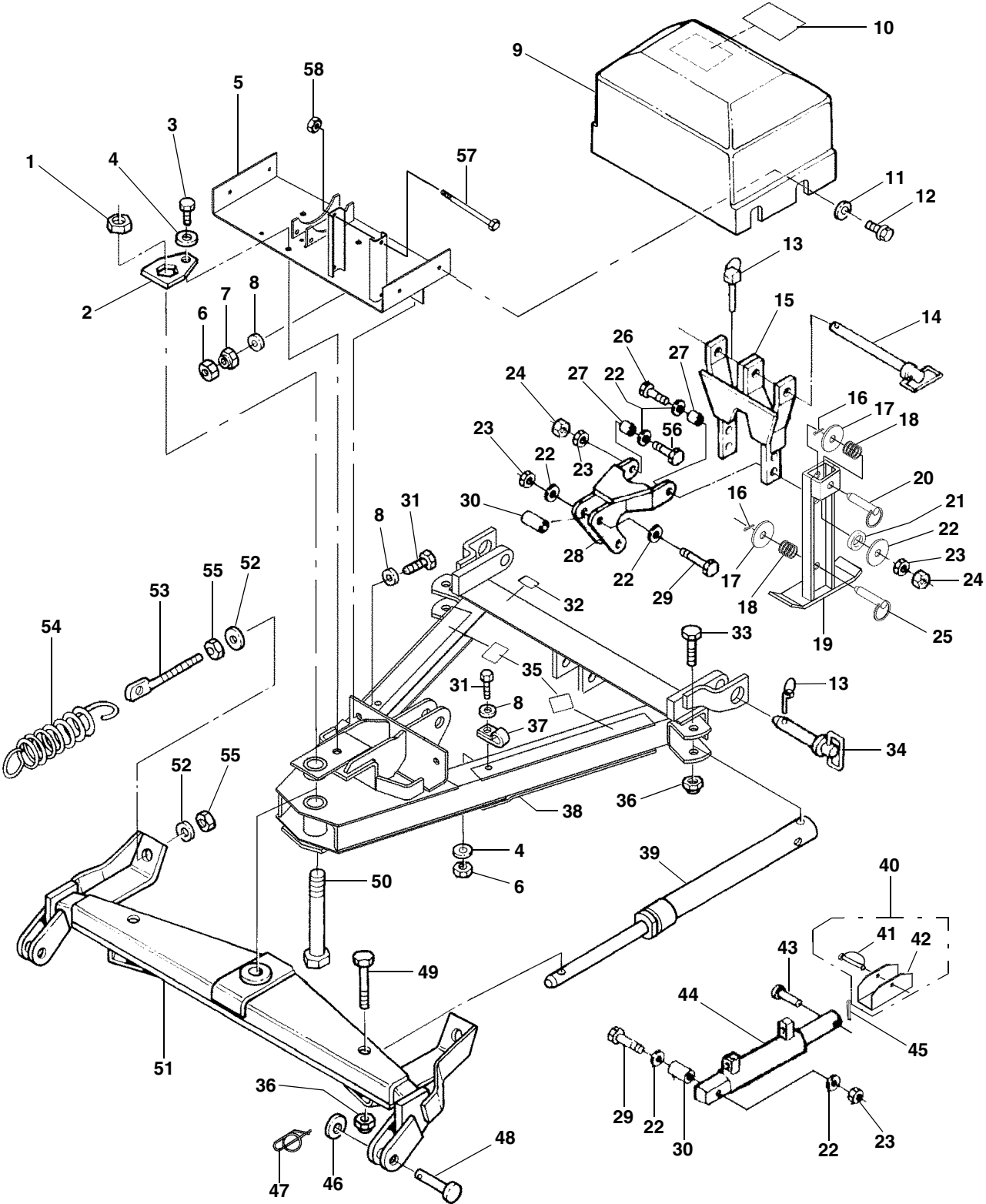
## USING THIS PARTS LIST

Below is parts listing with four columns. The first column is the "ITEM", the second is the "PART NUMBER", The third is the "DESCRIPTION" and the fourth is the "QUANTITY".



ITEM	PART NO.	DESCRIPTION	QTY.
196100083	O-ring	1	
296001529	Elbow	3	
398100036	Capscrew, Hex.,3/8"-16NC x 7/8"9		

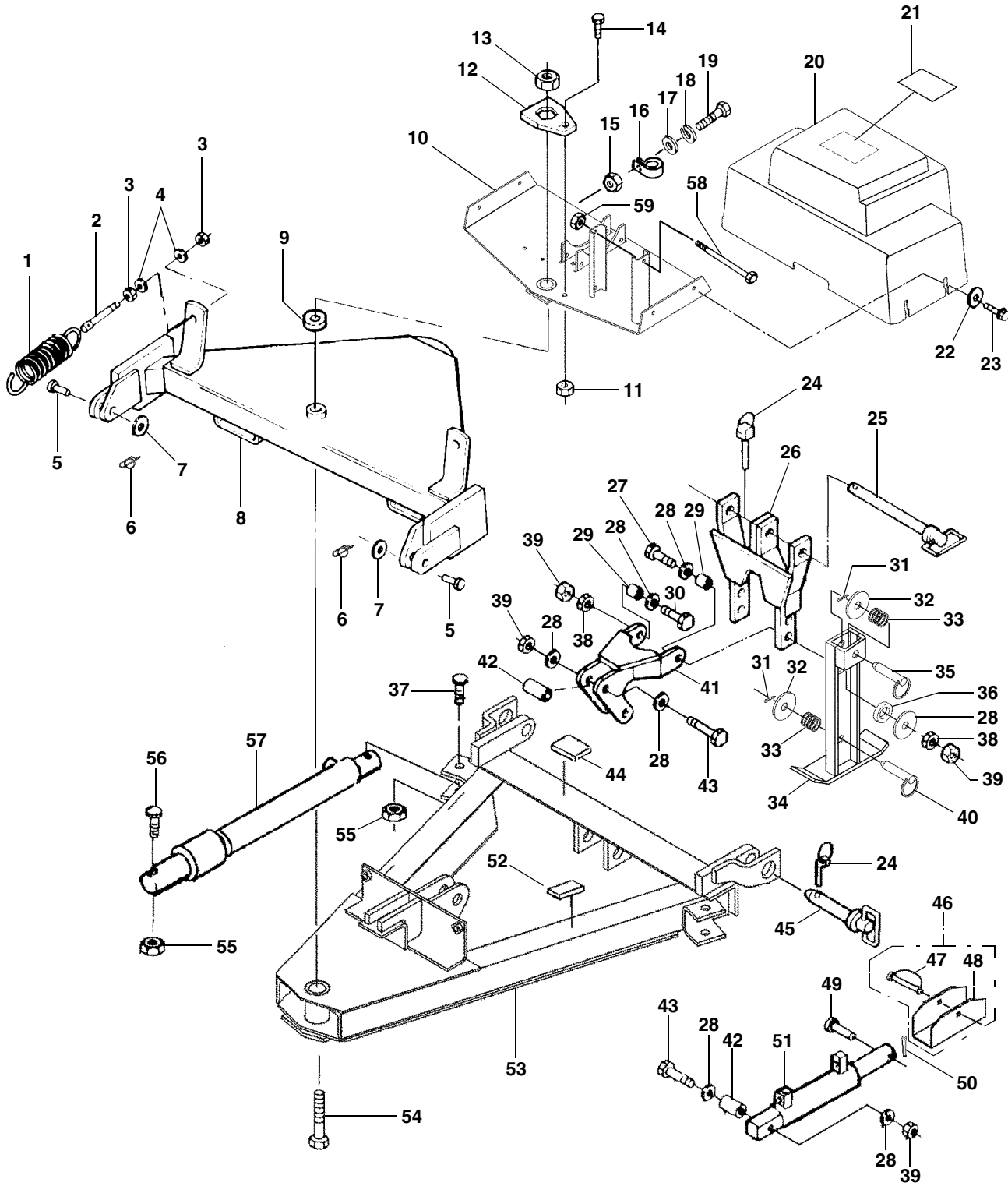
# POWER PACK FRAME - ST SERIES



# POWER PACK FRAME - ST SERIES

ITEM	PART NO.	DESCRIPTION	QTY
1	98100005	Nut, Hex, 1-1/4" .....	1
2	96100073	Plate, Locking, Nut.....	1
3	98009022	Capscrew, Hex, 3/8"-16 x 1" .....	1
4	98009008	Washer, Lock, 3/8" .....	2
5	96105005	Platform, Pump.....	1
6	98009077	Nut, Hex, 3/8"-16 .....	3
7	98009009	Nut, Hex, Nylock, 3/8"-16.....	2
8	98009032	Washer, Flat, 3/8" .....	5
9	96105006	Cover, Pump .....	1
10	97100750	Decal, Down Pressure .....	1
	97100752	Decal, Gravity Down .....	1
11	98019230	Washer, Flat, 5/16" .....	4
12	98019176	Screw, Flange HD, Self Tapping, 5/16" x 3/4" .....	4
13	98009169	Pin, Lynch, 1/4" x 1-9/16" .....	3
14	96105057	Pin, Hitch, 3/4" x 7-7/8" .....	1
15	96104928	Ass'y, Lift Link .....	1
16	98100105	Pin, Cotter, 1/8" x 1" .....	2
17	98100104	Washer, 3/8" .....	2
18	96102130	Spring, Latch .....	2
19	96103524	Ass'y, Stand .....	1
20	96103519	Pin, Latch.....	1
21	96102168	Spacer, Stand .....	1
22	98100176	Washer, Special, Hardened .....	7
23	98009013	Nut, Lock, Hex Head, 1/2"-13 .....	4
24	98100172	Nut, Jam, Hex Head .....	2
25	96102131	Pin, Latch.....	1
26	98100062	Cap Screw, Hex Head, 1/2"-13 x 2-1/4" .....	1
27	96104924	Spacer, Lift Arm .....	2
28	96104920	Ass'y, Bellcrank.....	1
29	98009036	Cap Screw, Hex Head, 1/2"-13 x 3-1/2" .....	2
30	96105014	Spacer, Bellcrank.....	2
31	98009034	Cap Screw, Hex, 3/8"-16 x 1-1/4" .....	3
32	97100005	Decal, Patent .....	1
33	98009017	Cap Screw, Hex, 1/2"-13 x 3".....	2
34	96105046	Pin, Hitch .....	2
35	97100004	Decal, Important .....	2
36	98009013	Nut, Hex, Nylock 1/2"-13.....	4
37	96101956	Clamp, Cable .....	1
38	96104284	A-Frame .....	1
39	96001044	Cylinder, Angle (details on page 19).....	2
40	96105278	Ass'y, Cylinder Lock Clamp .....	1
41		Pin, Wire Lock.....	1
42		Cylinder Lock Clamp.....	1
43	98100251	Pin, Special, 5/8" x 3-1/2" .....	1
44	96104885	Cylinder, Lift, Down Pressure (details on page 18).....	1
	96105043	Cylinder, Lift, Gravity Down (details on page 17).....	1
45	98009085	Pin, Cotter, 5/32" x 1-1/2" .....	1
46	98009030	Washer, Flat, 3/4" .....	2
47	98100099	Pin, Special.....	2
48	98009175	Pin, Clevis, 3/4" x 2-1/2" .....	2
49	98009055	Cap Screw, Hex, 1/2"-13 x 4-1/2" .....	2
50	98100028	Cap Screw, Hex, 1"-14 x 7".....	1
51	96100919	Frame, Swing.....	1
52	98009039	Washer, Flat, 5/8" .....	4
53	96102781	Eyebolt, 5/8"-11 x 4-1/2" .....	2
54	96101061	Spring, Trip .....	2
55	98009078	Nut, Hex, 5/8"-11 .....	4
56	98100010	Cap Screw, Hex Head, 1/2"-13 x 2" .....	1
57	98100266	Cap Screw, Hex Head, 1/4"-20 x 6" .....	1
58	98100255	Nut, Nylock, 1/4"-20 .....	1

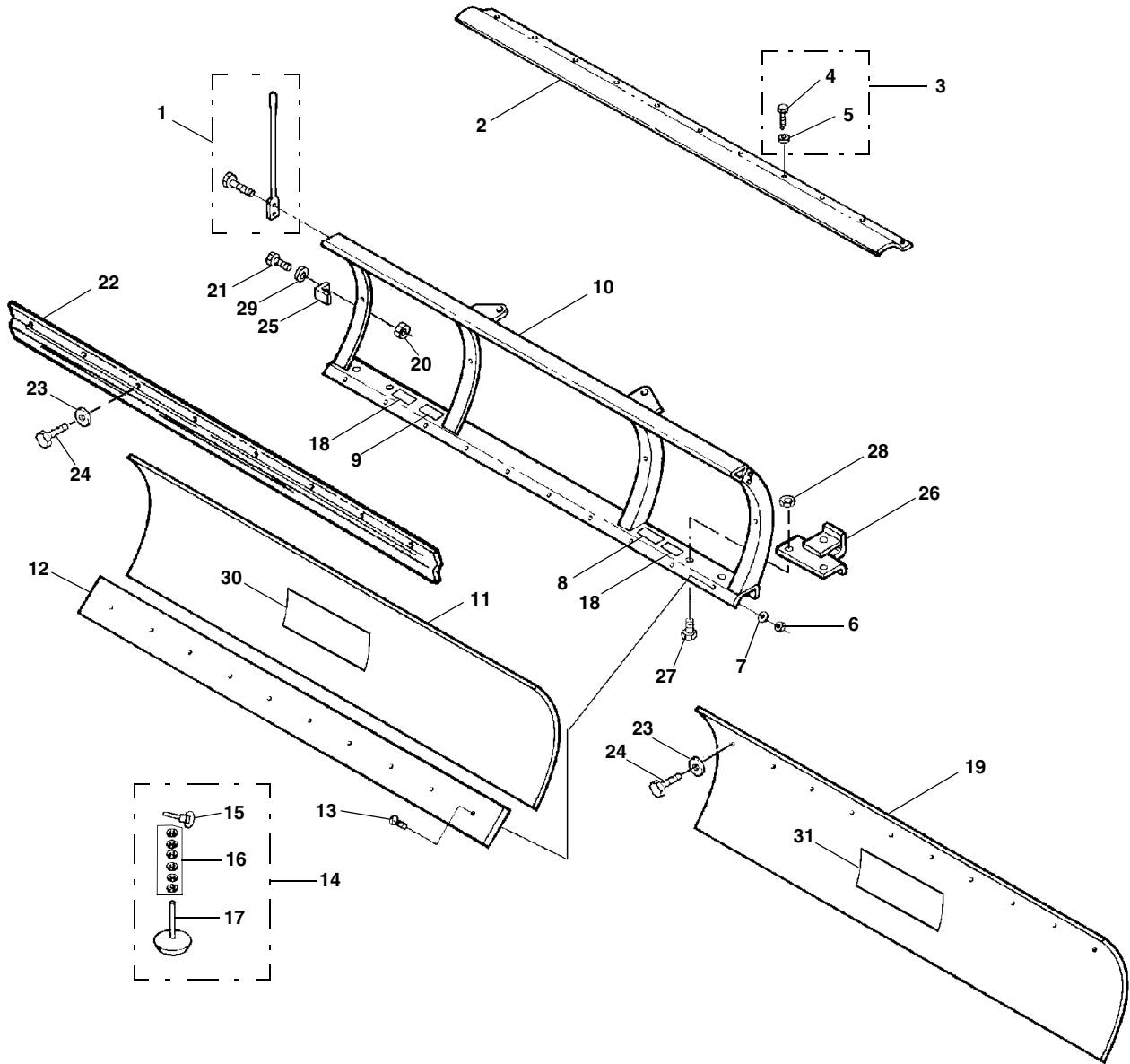
# POWER PACK FRAME - MT & HT SERIES



# POWER PACK FRAME - MT & HT SERIES

ITEM	PART NO.	DESCRIPTION	QTY
1	96001392	Spring, Trip.....	2
2	98009037	Eyebolt, 5/8"-11 x 6".....	2
3	98009078	Nut, Hex, 5/8"-11.....	4
4	98009039	Washer, Flat, 5/8".....	4
5	98009175	Pin, Clevis, 3/4" x 2-1/2".....	2
6	98100099	Pin, Special.....	2
7	98009030	Washer, Flat, 3/4".....	2
8	96103881	Frame, Swing, MT.....	1
	96100058	Frame, Swing, HT.....	1
9	98009005	Washer, Flat, 1".....	1
10	96104818	Platform, Pump.....	1
11	98009009	Nut, Hex, Nylock, 3/8"-16.....	1
12	96100073	Plate, Lock, Nut.....	1
13	98100005	Nut, Hex, 1"-14.....	1
14	98009022	Cap Screw, Hex, 3/8"-16 x 1".....	1
15	98009077	Nut, Hex, 3/8"-16.....	2
16	96101956	Clamp, Cable.....	1
17	98009032	Washer, Flat, 3/8".....	2
18	98009008	Washer, Lock, 3/8".....	2
19	98009034	Cap Screw, Hex, 3/8"-16 x 1-1/4".....	2
20	96105006	Cover, Pump.....	1
21	97100750	Decal, Schematic, Down Pressure.....	1
	97100752	Decal, Schematic, Gravity Down.....	1
22	98019230	Washer, Flat, Black, 5/16".....	4
23	98019176	Screw, Flange HD, Self Tapping, Black, 5/16" x 1".....	4
24	98009169	Pin, Lynch, 1/4" x 1-9/16".....	3
25	96105057	Pin, Hitch, 3-1/4" x 7-7/8".....	1
26	96103914	Bar, Lift.....	1
27	98100062	Cap Screw, Hex, 1/2"-13 x 2-1/4".....	1
28	98100176	Washer, Special Hardened.....	7
29	96102271	Spacer, Lift Bar.....	2
30	98100010	Cap Screw, Hex, 1/2"-13 x 2".....	1
31	98100105	Cotter Pin, 1/8" x 1".....	2
32	98100104	Washer, Plate, 3/8".....	2
33	96102130	Spring, Latch.....	2
34	96103524	Assembly, Stand.....	1
35	96103519	Pin, Latch, 2-1/4" Long.....	1
36	96102168	Spacer, Stand.....	1
37	98009017	Cap Screw, Hex, 1/2"-13 x 3", MT.....	2
	98009042	Cap Screw, Hex, 5/8"-11 x 3-1/2", HT.....	2
38	98100172	Nut, Hex Jam, 1/2"-13.....	2
39	98009013	Nut, Hex, Nylock, 1/2"-13.....	4
40	96102131	Pin, Latch, 2" Long.....	1
41	96102927	Bellcrank.....	1
42	96102227	Spacer, Bellcrank.....	2
43	98009036	Cap Screw, Hex, 1/2"-13 x 3-1/2".....	2
44	97100005	Decal, Patent.....	1
45	96105046	Pin, Hitch.....	2
46	96105279	Lock, Cylinder Clamp Assembly, Gravity Down.....	1
	96105278	Lock, Cylinder Clamp Assembly, Down Pressure.....	1
47		Pin.....	2
48		Clamp, Cylinder Lock, Gravity Down.....	1
		Clamp, Cylinder Lock, Down Pressure.....	1
49	98100007	Pin, Clevis, 3/4" x 4".....	1
50	98009085	Pin, Cotter, 5/32" x 1-1/2".....	1
51	96001261	Cylinder, Lift, Gravity Down.....	1
	96100085	Cylinder, Lift, Down Pressure.....	1
52	97100004	Decal, Important.....	2
53	96105073	A-Frame, MT.....	1
	96105072	A-Frame, HT.....	1
54	98100028	Cap Screw, Hex, 1"-14 x 7", MT.....	1
	98100004	Cap Screw, Hex, 1"-14 x 8", HT.....	1
55	98009013	Nut, Hex, Nylock, 1/2"-13, MT.....	4
	98009038	Nut, Hex, Nylock, 5/8"-11, HT.....	4
56	98009055	Cap Screw, Hex, 1/2"-13 x 4-1/2", MT.....	2
	98009197	Cap Screw, Hex, 5/8"-11 x 6", HT.....	2
57	96101057	Cylinder, Angle, MT.....	2
	96001262	Cylinder, Angle, HT.....	2
58	98100266	Cap Screw, 1/4"-20 x 6".....	1
59	98100255	Nut, Nylock, 1/4"-20.....	1

# BLADES - ST SERIES



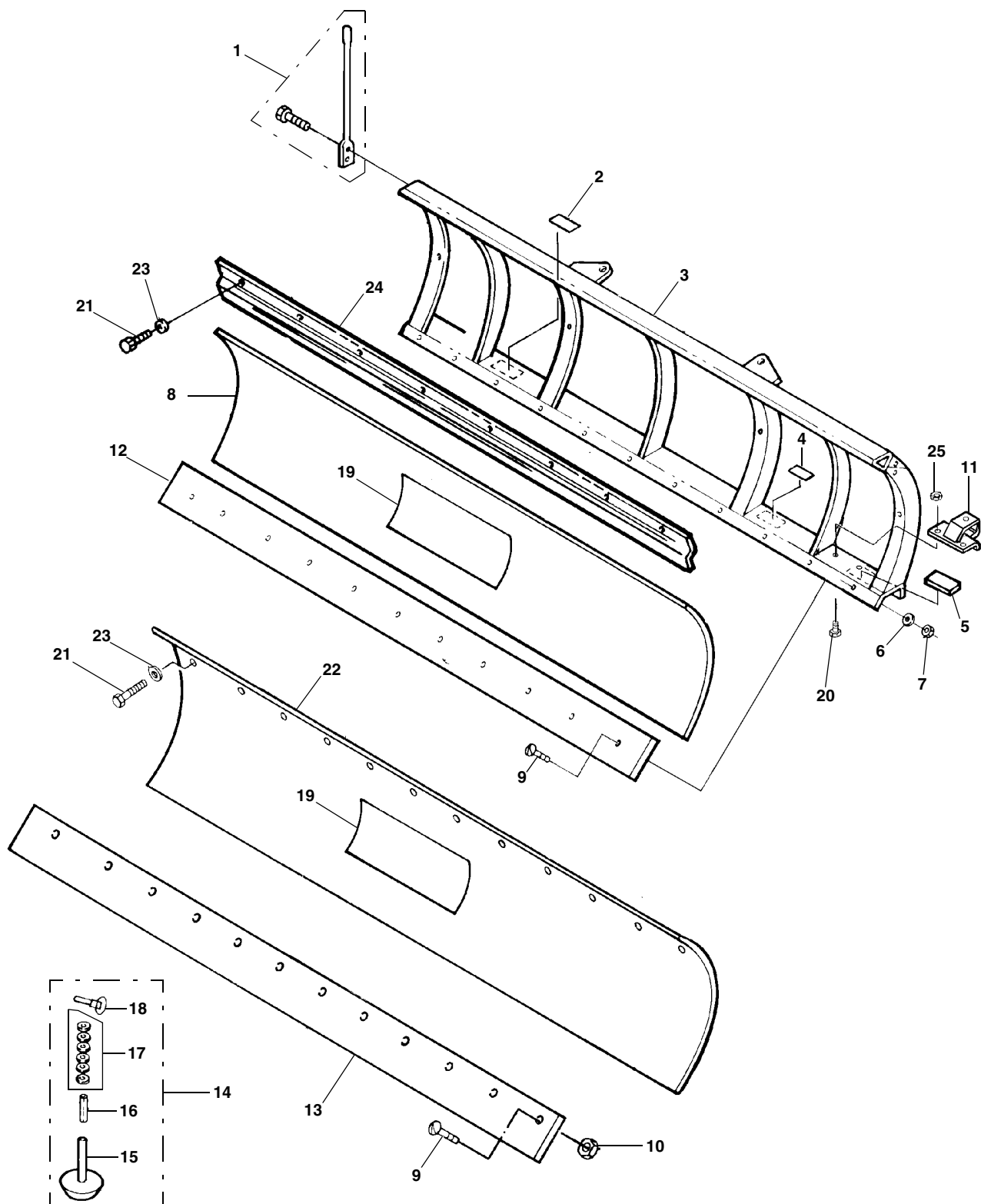


# BLADES - ST SERIES

ITEM	PART NO.	DESCRIPTION	QTY
1	96006002	Kit, Guide, Blade (includes 2 Guides and Mounting Hardware).....	1
2		Deflector, Formed, (see Note).....	1
3	96101257	Hardware Kit .....	1
4	98019176	Screw, Self Tapping.....	14
5	98019230	Washer, Flat, 5/16".....	14
6	98009077	Nut, Hex, 3/8"-16 (use with Polymer Wearstrip).....	12
	98009009	Nut, Hex, Nylock, 3/8"-16 (use with Steel Wearstrip).....	12
7	98009008	Washer, Lock,3/8" (use with Polymer Wearstrip) .....	12
8	97100001	Decal, Warning .....	1
9	97100006	Decal, Important .....	1
10		Frame, 72".....	1
		Frame, 80".....	1
		Frame, 90".....	1
11	96101445	Blade Skin, Polycarbonate, 72" (includes "Sno-Way" Decal) .....	1
	96101446	Blade Skin, Polycarbonate, 80" (includes "Sno-Way" Decal) .....	1
	96103069	Blade Skin, Polycarbonate, 90" (includes "Sno-Way" Decal) .....	1
12	96101634	Kit, Wearstrip, Steel, 72" (includes Mounting Hardware).....	1
	96101635	Kit, Wearstrip, Steel, 80" (includes Mounting Hardware) .....	1
	96102789	Kit, Wearstrip, Steel, 90" (includes Mounting Hardware) .....	1
	96108011	Kit, Wearstrip, Polymer, 72" (includes Mounting Hardware).....	1
	96108012	Kit, Wearstrip, Polymer, 80" (includes Mounting Hardware).....	1
13	98009061	Bolt, Carriage, Grade 5, 3/8"-16 x 1-1/2" .....	12
14	96001191	Shoe Assembly .....	2
15	98009169	Pin, Lynch, 1/4" x 1-9/16" .....	1
16	98009127	Washer, Flat, 3/4".....	18
17		Shoe, Cast, 3/4" Shaft.....	1
18	97100018	Decal, Warning .....	2
19	96103042	Blade Skin, Steel, 72" (includes "Sno-Way" Decal).....	1
	96103043	Blade Skin, Steel, 80" (includes "Sno-Way" Decal).....	1
	96103044	Blade Skin, Steel, 90" (includes "Sno-Way" Decal).....	1
20	98009150	Nut, Nylock, 5/16"-18 .....	2
21	98009149	Cap Screw, Hex, 5/16"-18 x 1 .....	2
22	96100264	Retainer, Blade, 72" .....	1
	96100265	Retainer, Blade, 80" .....	1
	96100266	Retainer, Blade, 90" .....	1
23	98019230	Washer, Flat, 5/16".....	8
24	98019176	Screw, Self-Tapping, 5/16" x 1" .....	8
25	96100213	Retainer, Bracket.....	2
26	96100872	Bracket, Shoe.....	2
27	98009034	Cap Screw, Hex, 3/8"-16 x 1-1/4".....	8
28	98009009	Nut, Nylock, 3/8"-16 .....	8
29	98009230	Washer, Flat, 5/16".....	2
30	97100912	Decal, Sno-Way, Polycarbonate.....	1
31	97100911	Decal, Sno-Way, Steel .....	1

NOTE: Formed Deflectors are available only as a 96" Three-Pack - Part Number 99100154.

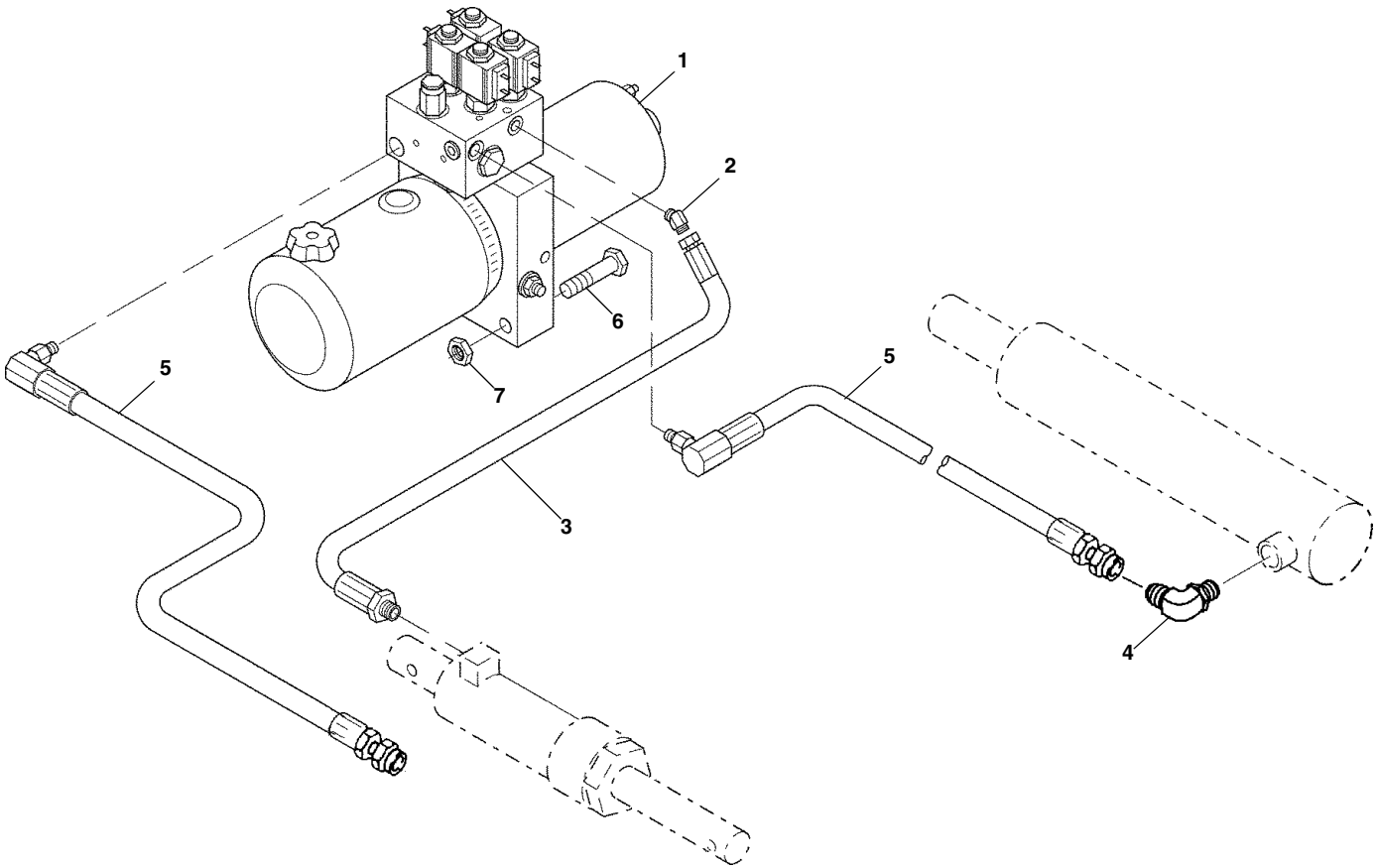
# BLADES - MT & HT SERIES



# BLADES - MT & HT SERIES

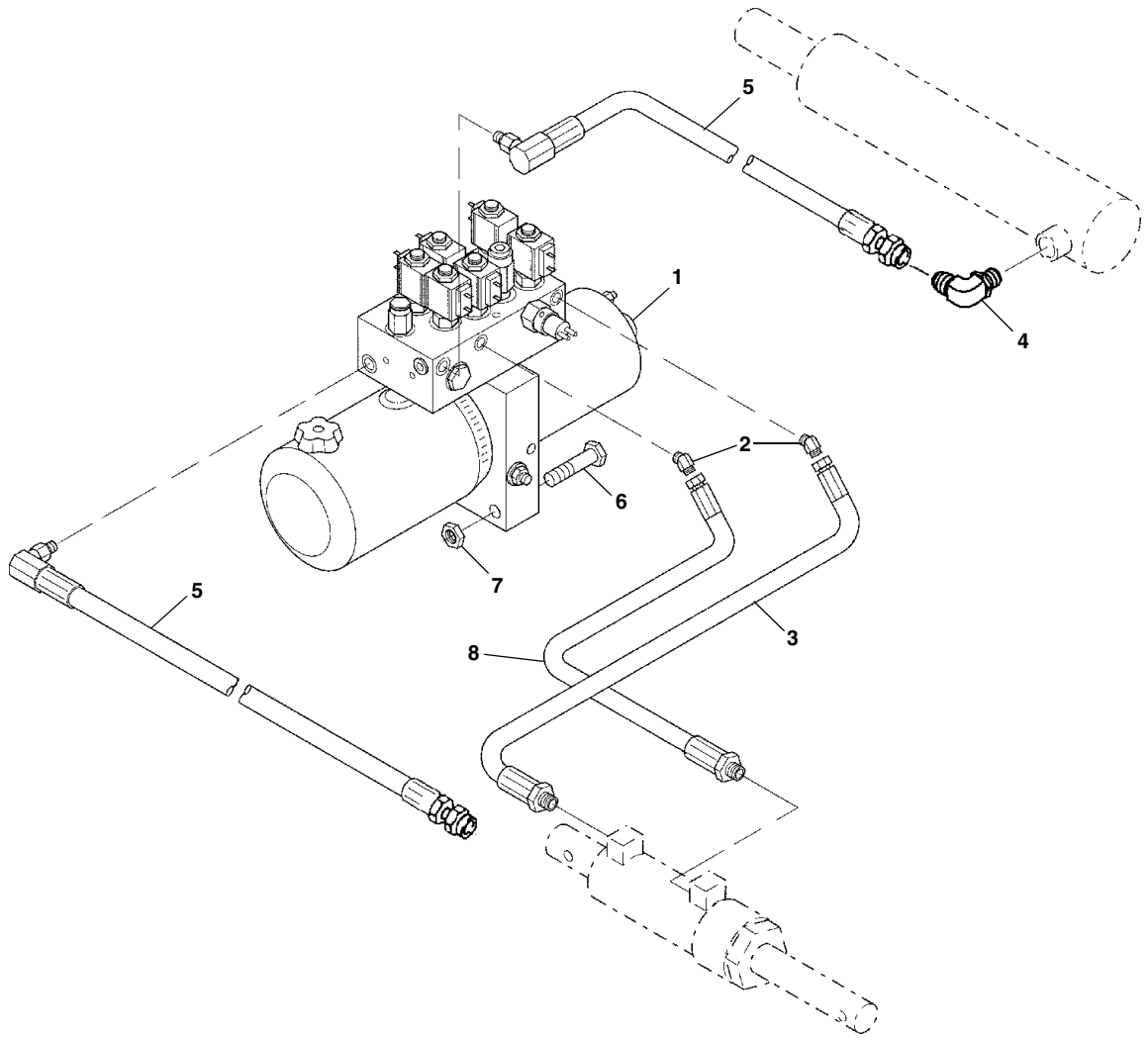
ITEM	PART NO.	DESCRIPTION	QTY
1	96006002	Kit, Guide, Blade (includes 2 Guides and Mounting Hardware).....	1
2	97100006	Decal, Important .....	1
3		Frame, 69" - MT .....	1
		Frame, 80" - MT .....	1
		Frame, 90" - MT & HT .....	1
		Frame, 96" - HT.....	1
		Frame, 108" - HT.....	1
4	97100001	Decal, Warning .....	1
5	97100018	Decal, Warning .....	2
6	98009012	Washer, Lock, 1/2" (used with Polymer Wearstrip) .....	12
7	98009076	Nut, Hex., 1/2" - 13 (used with Polymer Wearstrip).....	12
8	96101609	Kit, Flat Polycarbonate, 69" (includes "Sno-Way" Decal) - MT.....	1
	96100817	Kit, Flat Polycarbonate, 80" (includes "Sno-Way" Decal) - MT.....	1
	96100818	Kit, Flat Polycarbonate, 90" (includes "Sno-Way" Decal) - MT & HT .....	1
	96100819	Kit, Flat Polycarbonate, 96" (includes "Sno-Way" Decal) - HT .....	1
	96101839	Kit, Flat Polycarbonate, 108" (includes "Sno-Way" Decal) - HT .....	1
9	98009099	Bolt, Carriage, Gr. 5, 1/2"-13 x 2" (used with Polymer Wearstrip).....	2
	98009171	Bolt, Carriage, Gr. 5, 1/2"-13 x 1-1/2" (used with Steel Wearstrip) .....	12
10	98009013	Nut, Hex., Nylock, 1/2" - 13 (used with Steel Wearstrip).....	12
11	96101401	Bracket, Shoe.....	2
12	96102565	Kit, Wearstrip, Polymer, 69"(includes Mounting Hardware) - MT .....	1
	96100234	Kit, Wearstrip, Polymer, 80" (includes Mounting Hardware) - MT .....	1
	96100236	Kit, Wearstrip, Polymer, 90" (includes Mounting Hardware) - MT & HT .....	1
13	96100521	Kit, Wearstrip, Steel, 80" (includes Mounting Hardware) - MT .....	1
	96100237	Kit, Wearstrip, Steel, 90" (includes Mounting Hardware) - MT & HT.....	1
	96100239	Kit, Wearstrip, Steel, 96" (includes Mounting Hardware) - HT .....	1
	96101837	Kit, Wearstrip, Steel, 108" (includes Mounting Hardware) - HT .....	1
14	96102542	Shoe Assembly .....	2
15		Shoe, Cast, 1" Shaft.....	1
16		Spacer, 1".....	1
17	98009005	Washer, Flat, 1".....	14
18	98009169	Pin, Lynch, 1/4" x 1-9/16".....	1
19	97100911	Decal, Sno-Way (used with Steel Blade) .....	1
	97100912	Decal, Sno-Way (used with Polycarbonate Blade).....	1
20	98009034	Capscrew, Hex., 3/8"- 16 x 1-1/4" .....	8
21	98019176	Screw, Self Tapping.....	8
22	96103048	Blade Skin, Steel 80", Bolt on Style (includes "Sno-Way" Decal) - MT .....	1
	96103047	Blade Skin, Steel, 90", Bolt on Style (includes "Sno-Way" Decal) - MT & HT .	1
	96103046	Blade Skin, Steel, 96", Bolt on Style (includes "Sno-Way" Decal) - HT .....	1
	96103045	Blade Skin, Steel, 108", Bolt on Style (includes "Sno-Way" Decal) - HT .....	1
23	98019230	Washer, Flat, 5/16".....	8
24	96100749	Retainer, Blade, 69" - MT .....	1
	96100265	Retainer, Blade, 80" - MT .....	1
	96100266	Retainer, Blade, 90" - MT & HT.....	1
	96100267	Retainer, Blade, 96" - HT .....	1
	96100752	Retainer, Blade, 108" - HT .....	1
25	98009009	Nut, Nylock, 3/8"-16 .....	8

# HYDRAULIC SYSTEM GRAVITY DOWN - STG, MTG, HTG



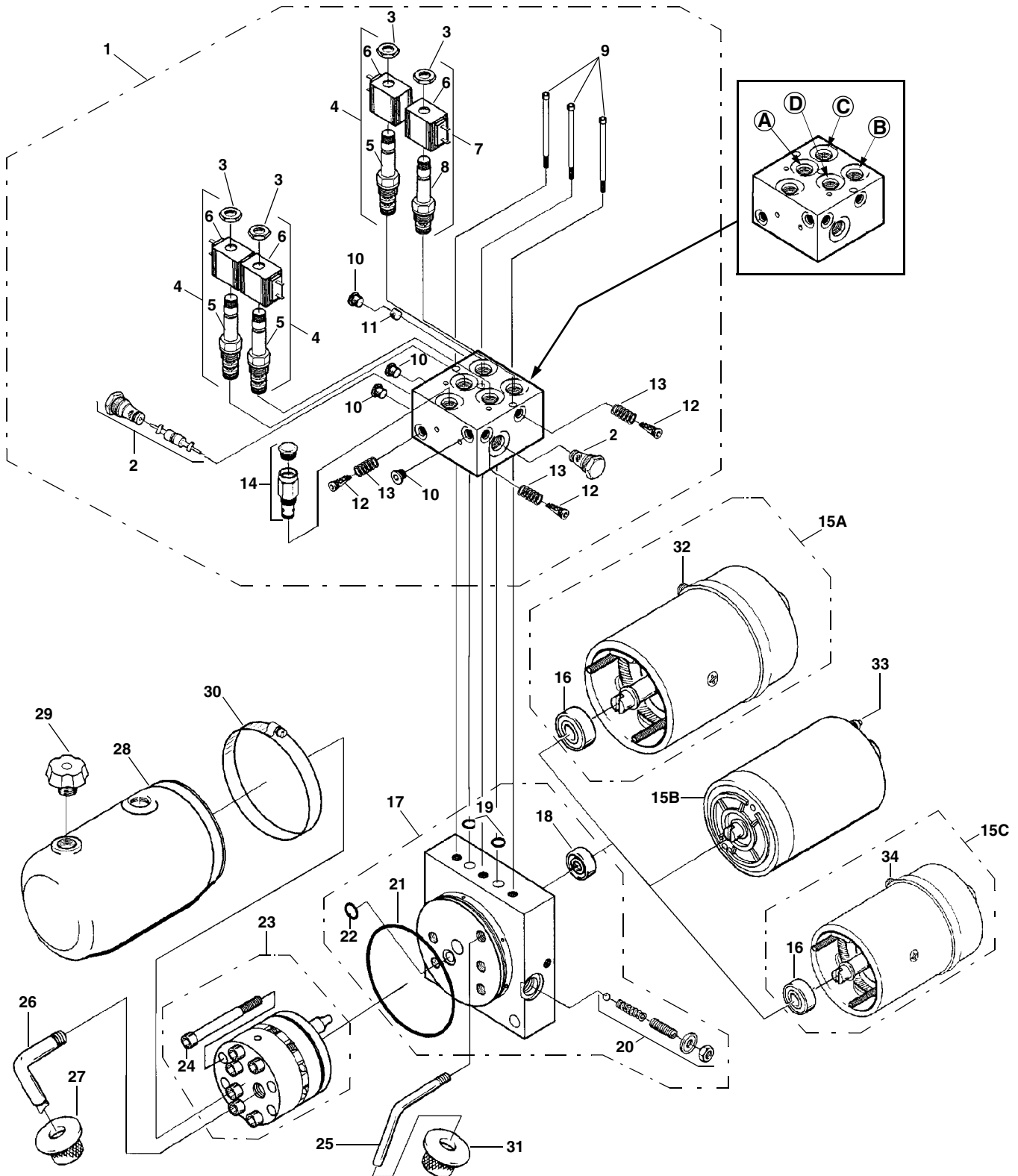
ITEM	PART NO.	DESCRIPTION	QTY
1	96105421	Power Unit, STG (detail on page 13) .....	1
	96104160	Power Unit, MTG & HTG (detail on page 13) .....	1
2	96100003	Fitting, Elbow, 45 Degree.....	1
3	96104340	Hose, Hydraulic, 18.00" .....	1
4	96100002	Fitting, Elbow, 90 Degree.....	2
5	96106070	Hose, Hydraulic, 27.50" .....	2
6	98100264	Capscrew, Hex Head, 5/16"-18 x 2-1/4" .....	2
7	98009150	Nylock, Hex Head, 5/16"-18.....	2

# HYDRAULIC SYSTEM DOWN PRESSURE SYSTEM - STD, MTD, HTD



ITEM	PART NO.	DESCRIPTION	QTY
1	96105075	Power Unit, STD (detail on page 15) .....	1
	96104162	Power Unit, MTD (detail on page 15).....	1
	96104163	Power Unit, HTD (detail on page 15).....	1
2	96100003	Fitting, Elbow, 45 Degree.....	2
3	96104953	Hose, Hydraulic, 18.00" .....	1
4	96100002	Fitting, Elbow, 90 Degree.....	2
5	96106070	Hose, Hydraulic, 27.50" .....	2
6	98100264	Capscrew, Hex Head, 5/16"-18 x 2-1/4" .....	2
7	98009150	Nylock, Hex Head, 5/16"-18.....	2
8	96104242	Hose, Hydraulic, 16.50" .....	1

# HYDRAULIC POWER UNIT GRAVITY DOWN - STG, MTG, HTG

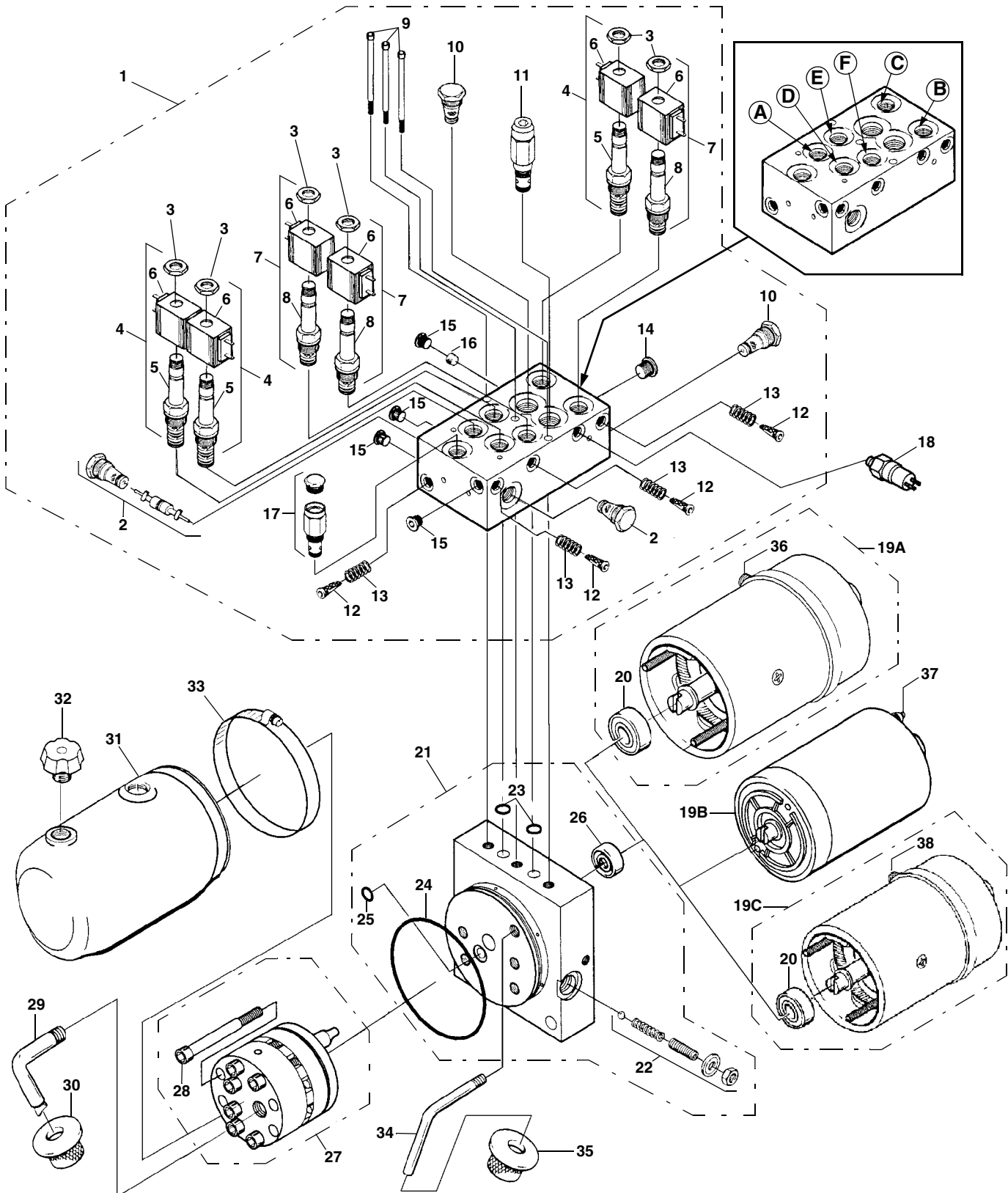


# HYDRAULIC POWER UNIT

## GRAVITY DOWN - STG, MTG, HTG

ITEM	PART NO.	DESCRIPTION	QTY
1		Valve Assembly .....	1
2	96106273	Valve, Check.....	1
3	96105275	Nut, Coil Retaining.....	4
4	96108341	Valve, 10V DC .....	3
5		Cartridge (use 96108341) .....	3
6	96105274	Coil .....	4
7	96108342	Valve, 10V DC .....	1
8		Cartridge (use 96108342) .....	1
9	96105237	Screw.....	3
10	96105234	Fitting, Plug.....	4
11	96105255	Fitting, Orifice - HTG & MTG .....	1
	96106105	Kit, Orifice - HTG & MTG (to adjust drop rate) .....	1
	96105422	Fitting, Orifice - STG).....	1
	96106104	Kit, Orifice - STG (to adjust drop rate) .....	1
12	96105250	Screen, Inline.....	3
13	96105251	Spring, Retaining .....	3
14	96105243	Valve, Relief, Cross Over.....	1
15A	96105233	Motor, 12V DC - HTG & MTG .....	1
15B	96105254	Motor, 12V DC - STG (serial numbers 200000 - 200226) .....	1
15C	96106802	Motor, 12VDC - STG (serial numbers 200230 - ) .....	1
16		Bearing, Motor Base.....	1
17	96105232	Base Assembly, Pump.....	1
18	96105317	Seal, Shaft .....	1
19	96105314	O-Ring .....	2
20	96105313	Parts Kit, Relief Valve .....	1
21	96105315	O-Ring .....	1
22	96105316	O-Ring .....	1
23	96105248	Pump Assembly.....	1
24	96105247	Screw, Socket Head Cap.....	4
25	96105249	Tube, Return .....	1
26	96105246	Tube, Suction .....	1
27	96105245	Filter, Suction .....	1
28	96105241	Reservoir .....	1
29	96105244	Filler Cap .....	1
30	96105231	Clamp .....	1
31	96105318	Filter, Return .....	1
32	96105312	Brush, Replacement Kit - HTG & MTG.....	1
33	96105324	Brush, Replacement Kit - STG (serial numbers 200000 - 200236) .....	1
34	96106803	Brush, Replacement Kit - STG (serial numbers 200230 - ) .....	1

# HYDRAULIC POWER UNIT DOWN PRESSURE SYSTEM - STD, MTD, HTD



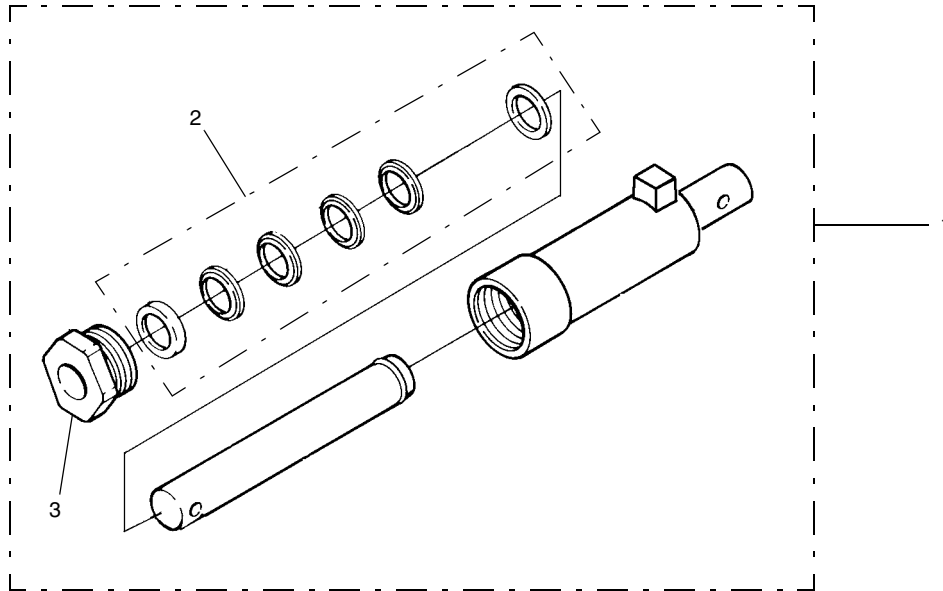


# HYDRAULIC POWER UNIT

## DOWN PRESSURE SYSTEM - STD, MTD, HTD

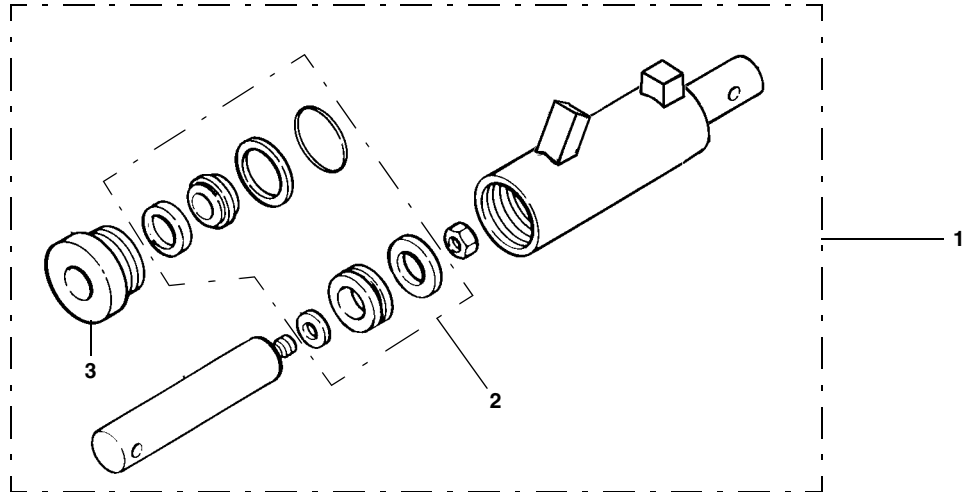
ITEM	PART NO.	DESCRIPTION	QTY
1		Valve Assembly .....	1
2	96106273	Valve, Check.....	1
3	96105275	Nut, Coil Retaining .....	6
4	96108341	Valve, 10V DC .....	3
5		Cartridge (use 96108341) .....	3
6	96105274	Coil .....	6
7	96108342	Valve, 10V DC .....	3
8		Cartridge (use 96108342) .....	3
9	96105237	Screw .....	3
10	96105238	Valve, Check.....	2
11	96105239	Valve, Relief, Down Pressure - HTD.....	1
	96105253	Valve, Relief, Down Pressure - STD & MTD.....	1
12	96105250	Screen, Inline .....	4
13	96105251	Spring, Retaining.....	4
14	96105240	Fitting, Plug .....	2
15	96105234	Fitting, Plug .....	4
16	96105255	Fitting, Orifice .....	1
	96106105	Kit, Orifice (to adjust drop rate) .....	1
17	96105243	Valve, Relief, Crossover .....	1
18	96100311	Switch, Pressure - HTD.....	1
	96101976	Switch, Pressure - STD & MTD.....	1
19A	96105233	Motor, 12V DC - HTD & MTD .....	1
19B	96105254	Motor, 12V DC - STD (serial number 200000 - 201452).....	1
19C	96106802	Motor, 12V DC - STD (serial number 201470 - )	
20		Bearing, Motor Base.....	1
21	96105232	Base Assembly, Pump.....	1
22	96105313	Parts Kit, Relief Valve .....	1
23	96105314	O-Ring .....	2
24	96105315	O-Ring .....	1
25	96105316	O-Ring .....	1
26	96105317	Seal, Shaft.....	1
27	96105248	Pump Assembly .....	1
28	96105247	Screw, Socket Head Cap.....	4
29	96105246	Tube, Suction.....	1
30	96105245	Filter .....	1
31	96105241	Reservoir .....	1
32	96105244	Filler Cap .....	1
33	96105231	Clamp .....	1
34	96105249	Tube, Return.....	1
35	96105318	Filter, Return.....	1
36	96105312	Brush Replacement Kit - HTD & MTD.....	2
37	96105324	Brush Replacement Kit - STD (serial number 200000 - 201452).....	1
38	96106803	Brush Replacement Kit - STD (serial number 201470 - ).....	1

# LIFT CYLINDERS GRAVITY DOWN SYSTEM - STG, MTG, HTG



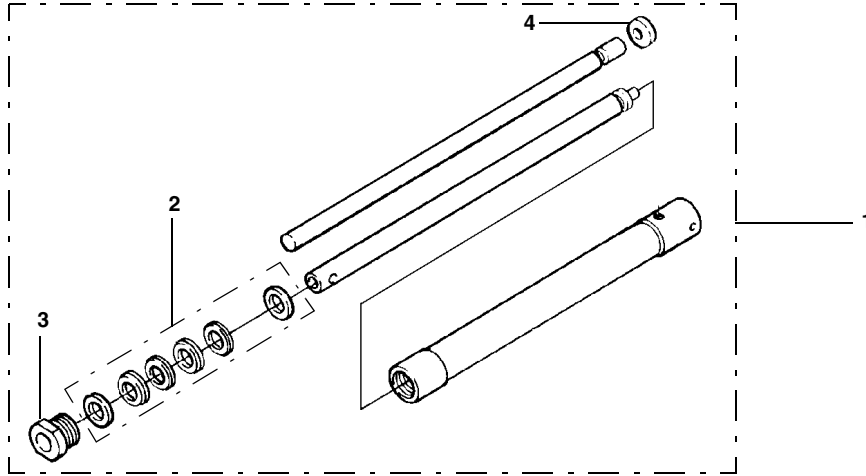
ITEM	PART NO.	DESCRIPTION	QTY
1	96105043	Cylinder, Lift, 1-1/2" (Single Action) - STG .....	1
	96001261	Cylinder, Lift, 2" (Single Action) - MTG & HTG.....	1
2	96005034	Kit, Seal, For 1-1/2" Cylinder - STG.....	1
	96005046	Kit, Seal, For 2" Cylinder - MTG & HTG .....	1
3	96005036	Nut, Gland For 1-1/2" Cylinder (includes Wiper) - STG .....	1
	96005100	Nut, Gland, For 2" Cylinder (includes Wiper) - MTG & HTG.....	1

# LIFT CYLINDERS DOWN PRESSURE SYSTEM - STD, MTD, HTD



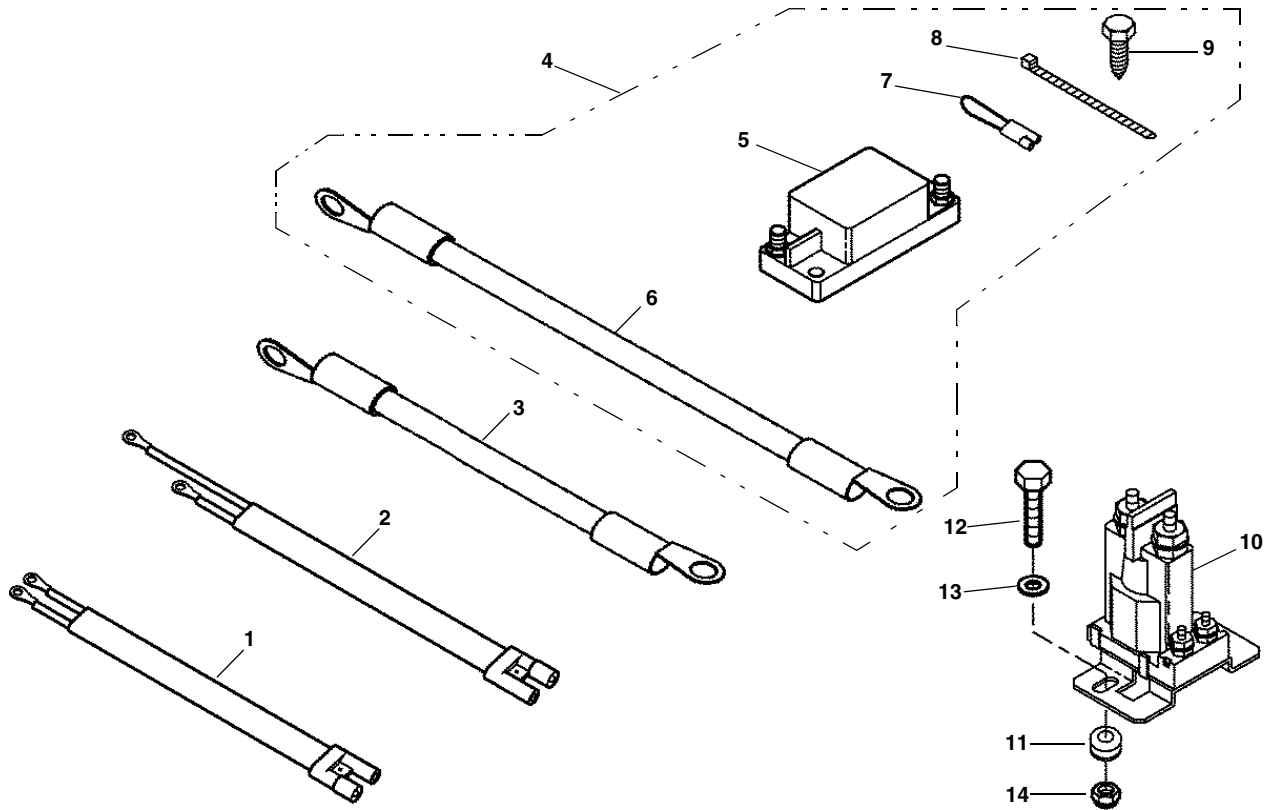
ITEM	PART NO.	DESCRIPTION	QTY
1	96104885	Cylinder, Lift, 2" (Double Action) - STD.....	1
	96100085	Cylinder, Lift, 2-1/2" (Double Action) - MTD & HTD .....	1
2	96105257	Kit, Seal, For 2" Cylinder - STD .....	1
	96101516	Kit, Seal, For 2-1/2" Cylinder - MTD & HTD .....	1
3	96105259	Nut, Gland, For 2" Cylinder - STD.....	1
	96100492	Nut, Gland, For 2-1/2" Cylinder - MTD & HTD .....	1

# ANGLE CYLINDERS - ST, MT, HT



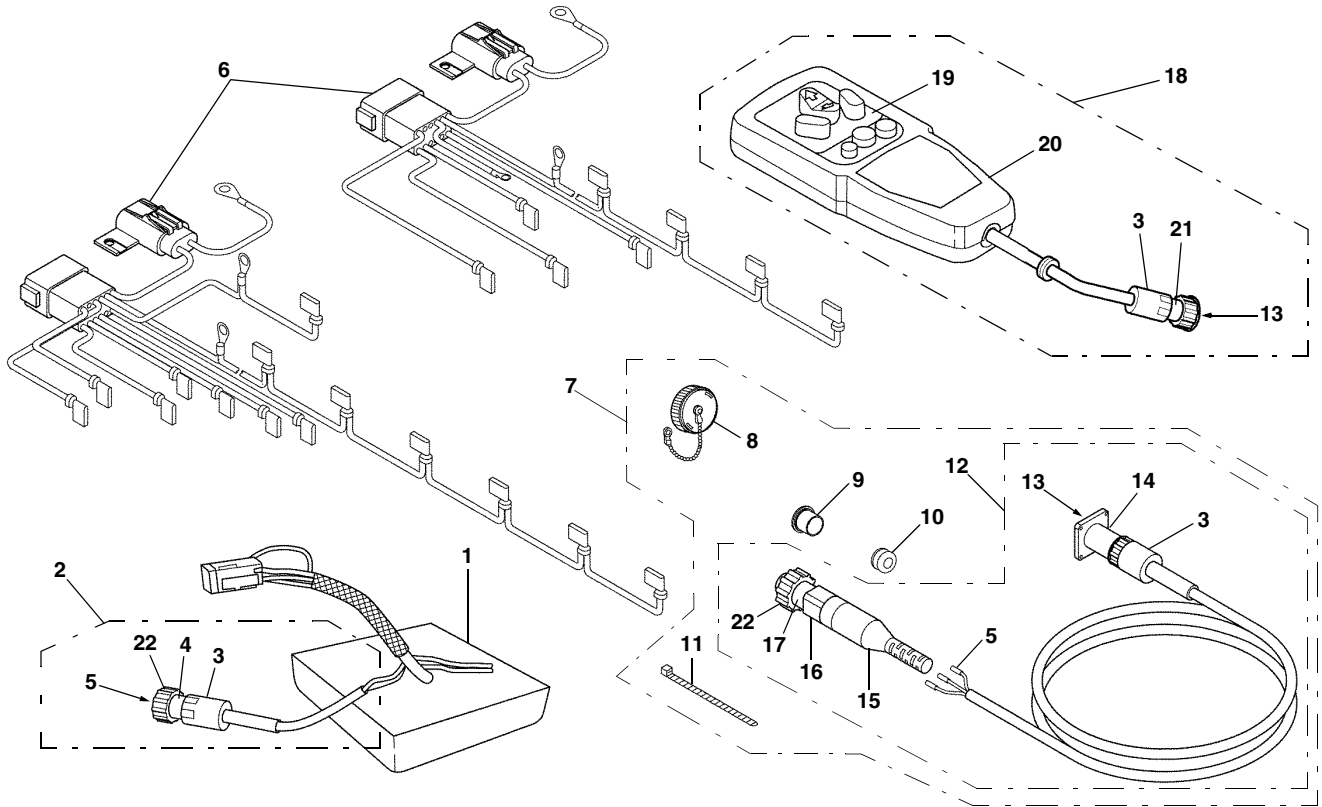
ITEM	PART NO.	DESCRIPTION	QTY
1	96001044	Cylinder, Angle, 1" - ST .....	1
	96101057	Cylinder, Angle, 1-1/4" - MT .....	1
	96001262	Cylinder, Angle, 1-1/2" - HT .....	1
2	96005035	Kit, Seal, 1" - ST .....	1
		Seal, Square End .....	1
		Seal, Inner .....	4
	96101082	Kit, Seal, 1-1/4" - MT .....	1
		Seal, Square End .....	1
		Seal, Inner .....	4
	96005034	Kit, Seal, 1-1/2" - HT .....	1
		Seal, Square End .....	1
		Seal, Inner .....	4
3	96005101	Nut, Gland, 1" (includes Wiper) - ST .....	1
	96101566	Nut, Gland, 1-1/4" (includes Wiper) - MT .....	1
	96005036	Nut, Gland, 1-1/2" (includes Wiper) - HT .....	1
4	96100419	Ring, Guide, 1" - ST .....	1
	96101084	Ring, Guide, 1-1/4" - MT .....	1
	96100417	Ring, Guide, 1-1/2" - HT .....	1

# POWER PACK WIRING - ST, MT, HT



ITEM	PART NO.	DESCRIPTION	QTY
1	96104221	Harness, Battery Power .....	1
2	96104230	Harness, Plow Power .....	1
3	96105103	Harness, Solenoid - MT & ST .....	1
	96105273	Harness, Solenoid - HT .....	1
4	96105167	Bag Power Harness Parts .....	1
5	96101210	Breaker, Circuit, 150A .....	1
6	96102891	Cable, Power .....	1
7	96105082	Cap, Protective .....	2
8	96001227	Strap, Tie Plastic .....	2
9	98100037	Screw, Self Tapping, #10-16 x 1" .....	2
10	96002086	Switch, Solenoid .....	1
11	96105282	Grommet, 3/8" ID .....	2
12	98100253	Capscrew, Hex., 1/4"- 20 x 1-1/4" .....	2
13	98100254	Washer, Flat, 1/4" .....	2
14	98100255	Nut, Hex Head Nylock, 1/4"-20 .....	2

# CONTROL SYSTEM WIRING - ST, MT, HT



ITEM	PART NO.	DESCRIPTION	QTY
1	96105084	Module, Wired Control .....	1
	96107734	Module, Wireless Control .....	1
2	96105487	Harness Repair Kit .....	1
3	96105709	Clamp, Cable .....	3
4	96105418	Connector, Plug .....	1
5	96105370	Contact, Signal Socket .....	6
6	96105131	Harness, Solenoids - Gravity Down .....	1
	96105130	Harness, Solenoids - Down Pressure .....	1
7	96105081	Bag, Harness Controls .....	1
8	96105300	Cap, Screw-On .....	1
9	96105284	Cap, 1/2" .....	1
10	96104893	Grommet, 5/16" ID .....	1
11	96001227	Strap, Plastic Tie .....	5
12	96105101	Harness, Vehicle .....	1
13	96105416	Contact, Signal Pin .....	6
14	96105710	Connector, Receptacle, Flanged .....	1
15	96105419	Boot, Cable .....	1
16	96105420	Grip, Cable .....	1
17	96105708	Connector, Plug, Unsealed .....	1
18	96107354	Controller Assembly .....	1
	96107355	Controller Assembly, Wireless .....	1
19	96107356	Touch Pad, Predator .....	1
20	96105299	Housing, Controller, Complete .....	1
21	96105417	Connector, Receptacle .....	1
22	96106533	Coupling Ring .....	2
23	96107382	Controller, Joystick, Str, Wired (not shown) .....	1
	96106472	Controller, Joystick, Str, Wireless (not shown) .....	1
24	96105325	Insertion Tool for Circular Connectors (not shown) .....	1
25	96105404	Extraction Tool for Circular Connectors (not shown) .....	1
26	96105877	Kit, Connector Repair (not shown) (includes (3) #3, (1) #4, (6) #5, (6) #13, (1) #14, (1) #15, (1) #16, (1) #17, (1) #21, (1) #24 & (1) #25) .....	1
27	96105102	Harness, 48" Extension (not shown) .....	1

# EMERGENCY KIT

An Emergency Kit is available for purchase from your local Sno-Way Dealer. Kit contents are listed below. Contact your Sno-Way dealer for additional information.

ITEM	PART NO.	DESCRIPTION	QTY
1	96105295	Emergency Kit (includes all items listed below) .....	1
2	96105296	Tool Box .....	1
3	98009169	Pin, Click, 1/4" x 1-9/16".....	3
4	96002086	Switch, Motor Start Solenoid .....	1
5	98009037	Eye Bolt, 5/8"-11 x 6" .....	1
6	98009039	Washer, 5/8" .....	2
7	98009078	Nut, Hex, 5/8"-11.....	2
8	96005029	Oil, Hydraulic, ZF 56061 (quart).....	1
9	96105274	Valve, Coil .....	1
10	96105175	Nut, Coil .....	1
11	96100002	Fitting, Elbow, 90 deg.....	1
12	96101610	Fitting, Straight.....	1
13	96106070	Hose, Hydraulic, 27-1/2" .....	1

# NUMERICAL INDEX

PART NO.	PAGE	ITEM	PART NO.	PAGE	ITEM	PART NO.	PAGE	ITEM
96001044	4	39	96100818	10	8	96103914	6	26
	19	1	96100819	10	8	96104160	11	1
96001191	8	14	96100872	8	26	96104162	12	1
96001227	20	8	96100919	4	51	96104163	12	1
	21	11	96101057	19	1	96104221	20	1
96001261	6	51	96101057	6	57	96104230	20	2
	17	1	96101061	4	54	96104242	12	8
96001262	6	57	96101082	19	2	96104284	4	38
	19	1	96101084	19	4	96104340	11	3
96001392	6	1	96101210	20	5	96104818	6	10
96002086	20	10	96101257	8	3	96104885	18	1
	22	4	96101401	10	11	96104885	4	44
96005029	22	8	96101445	8	11	96104893	21	10
96005034	17	2	96101446	8	11	96104920	4	28
	19	2	96101516	18	2	96104924	4	27
96005035	19	2	96101566	19	3	96104928	4	15
96005036	17	3	96101609	10	8	96104953	12	3
	19	3	96101610	22	12	96105005	4	5
96005046	17	2	96101632	8	12	96105006	4	9
96005100	17	3	96101633	8	12		6	20
96005101	19	3	96101634	8	12	96105014	4	30
96006002	8	1	96101635	8	12	96105043	4	44
	10	1	96101837	10	13		17	1
96100002	11	4	96101839	10	8	96105046	4	34
	12	4	96101956	4	37		6	45
	22	11		6	16	96105057	4	14
96100003	11	2	96101976	16	18		6	25
	12	2	96102130	4	18	96105072	6	53
96100058	6	8		6	33	96105073	6	53
96100073	4	2	96102131	4	25	96105075	12	1
	6	12		6	40	96105081	21	7
96100081	6	42	96102168	4	21	96105082	20	7
96100085	6	51		6	36	96105084	21	1
	18	1	96102271	6	29	96105101	21	12
96100213	8	25	96102542	10	14	96105102	21	27
96100234	10	12	96102565	10	12	96105103	20	3
96100236	10	12	96102781	4	53	96105130	21	6
96100237	10	13	96102789	8	12	96105131	21	6
96100239	10	13	96102891	20	6	96105166	21	1
96100264	8	22	96102927	6	41	96105167	20	4
96100265	8	22	96103042	8	19	96105175	22	10
	10	24	96103043	8	19	96105231	14	30
96100266	8	22	96103044	8	19		16	33
	10	24	96103045	10	22	96105232	14	17
96100267	10	24	96103046	10	22		16	21
96100311	16	18	96103047	10	22	96105233	14	15A
96100417	19	4	96103048	10	22		16	19A
96100419	19	4	96103069	8	11	96105234	14	10
96100492	18	3	96103519	4	20		16	15
96100521	10	13		6	35	96105235	16	4
96100749	10	24	96103524	4	19	96105236	16	7
96100752	10	24		6	34	96105237	14	9
96100817	10	8	96103881	6	8		16	9



# NUMERICAL INDEX

PART NO.	PAGE	ITEM	PART NO.	PAGE	ITEM	PART NO.	PAGE	ITEM
96105238	16	10	96105315	14	21	97100006	8	9
96105239	16	11		16	24	97100006	10	2
96105240	16	14	96105316	14	22	97100018	8	18
96105241	14	28		16	25		10	5
	16	31	96105317	14	18	97100750	4	10
96105243	14	14		16	26		6	21
	16	17	96105318	14	31	97100752	4	10
96105244	14	29		16	35		6	21
	16	32	96105324	14	33	97100911	8	31
96105245	14	27		16	37		10	19
	16	30	96105325	21	24	97100912	8	30
96105246	14	26	96105370	21	5		10	19
	16	29	96105404	21	25	98009005	6	9
96105247	14	24	96105416	21	13		10	17
	16	28	96105417	21	21	98009008	4	4
96105248	14	23	96105418	21	4		6	18
	16	27	96105419	21	15		8	7
96105249	14	25	96105420	21	16	98009009	4	7
	16	34	96105421	11	1		6	11
96105250	14	12	96105422	14	11		8	6
	16	12	96105487	21	2		8	28
96105251	14	13	96105708	21	17		10	25
	16	13	96105709	21	3	98009012	10	6
96105253	16	11	96105710	21	14	98009013	4	23
96105254	14	15B	96105877	21	26		4	36
	16	19B	96106070	11	5		6	39
96105255	14	11		12	5		6	55
	16	16		22	13		10	10
96105257	18	2	96106104	14	11	98009017	4	33
96105259	18	3	96106105	14	11		6	37
96105273	20	3		16	16	98009022	4	3
96105274	14	6	96106273	14	2		6	14
	16	6		16	2	98009030	4	46
	22	9	96106472	21	23		6	7
96105275	14	3	96106533	21	22	98009032	4	8
	16	3	96106802	14	15C		6	17
96105278	4	40		16	19C	98009034	4	31
	6	46	96106803	14	34		6	19
96105279	6	46		16	38		8	27
96105282	20	11	96107354	21	18		10	20
96105284	21	9	96107355	21	18	98009036	4	29
96105295	22	1	96107356	21	19		6	43
96105296	22	2	96107382	21	23	98009037	6	2
96105299	21	20	96108324	14	5		22	5
96105300	21	8	96108325	14	8	98009038	6	55
96105309	16	5	96108341	14	4	98009039	4	52
96105311	16	8	96108342	14	7		6	4
96105312	14	32	97100001	8	8		22	6
	16	36		10	4	98009042	6	37
96105313	14	20	97100004	4	35	98009055	4	49
	16	22		6	52		6	56
96105314	14	19	97100005	4	32	98009061	8	13
	16	23		6	44	98009076	10	7

# NUMERICAL INDEX

PART NO.	PAGE	ITEM	PART NO.	PAGE	ITEM	PART NO.	PAGE	ITEM
98009077	4	6	98100176	4	22			
98009077	6	15	98100176	6	28			
	8	6	98100251	4	43			
98009078	4	55	98100253	20	12			
	6	3	98100254	20	13			
	22	7	98100255	4	58			
98009085	4	45		6	59			
	6	50		20	14			
98009099	10	9	98100264	11	6			
98009127	8	16		12	6			
98009149	8	21	98100266	4	57			
98009150	8	20		6	58			
	11	7						
	12	7						
98009169	4	13						
	6	24						
	8	15						
	10	18						
	22	3						
98009171	10	9						
98009175	4	48						
	6	5						
98009197	6	56						
98009230	8	29						
98019176	4	12						
	6	23						
	8	4						
	8	24						
	10	21						
98019230	4	11						
	6	22						
	8	5						
	8	23						
	10	23						
98100004	6	54						
98100005	4	1						
	6	13						
98100007	6	49						
98100010	4	56						
	6	30						
98100028	4	50						
	6	54						
98100037	20	9						
98100062	4	26						
	6	27						
98100099	4	47						
	6	6						
98100104	4	17						
	6	32						
98100105	4	16						
	6	31						
98100172	4	24						
	6	38						

# NOTES

---

**SNO-WAY<sup>®</sup> INTERNATIONAL, INC.**

**SNO-WAY<sup>®</sup>**  
**SNOW & ICE CONTROL EQUIPMENT**

Hartford, WI 53027 USA  
Website: [www.snoway.com](http://www.snoway.com)  
©2006 Sno-Way<sup>®</sup> International