



# SERVICE PARTS MANUAL

**28 SERIES SNOW PLOW**  
**FOR SERIAL NUMBERS AFTER**  
**28D100000**

# TABLE OF CONTENTS

	<b>PAGE</b>
DEFLECTORS .....	2
POWER PACK .....	3
HYDRAULIC POWER UNIT .....	5
LIFT CYLINDER .....	7
ANGLE CYLINDERS .....	8
BLADES.....	9
WIRING HARNESS — S.N. 28D100799 & PRIOR .....	11
WIRING HARNESS — S.N. 28D100800 & AFTER.....	13
HYDRAULIC SYSTEM .....	15
NUMERICAL INDEX.....	16

## INTRODUCTION

Our dealership network stands by to provide you with any assistance you may require, including genuine Sno-Way service parts. All parts should be obtained from or ordered through your dealer. Give complete information about the part as well as the Model Number and Serial Number of your machine.

Record the Serial Number in the space provided in your Owner's Manual for quick reference. The Serial Number for the Power Pack is on a plate located on the top front of the A-Frame and the Blade Wing Serial Numbers are on a plate on the middle frame rib.

"Right" and "Left" are determined from a position sitting on the Operators Seat of the vehicle.

We reserve the right to make changes or improvements in the design or construction of any part without incurring the obligation to install such changes in any unit previously delivered.

## USING THIS PARTS LIST

Below is parts listing with four columns. The first column is the "ITEM", the second is the "PART NUMBER", The third is the "DESCRIPTION" and the fourth is the "QUANTITY".

The "**ITEM**" is the number used in the corresponding illustration.

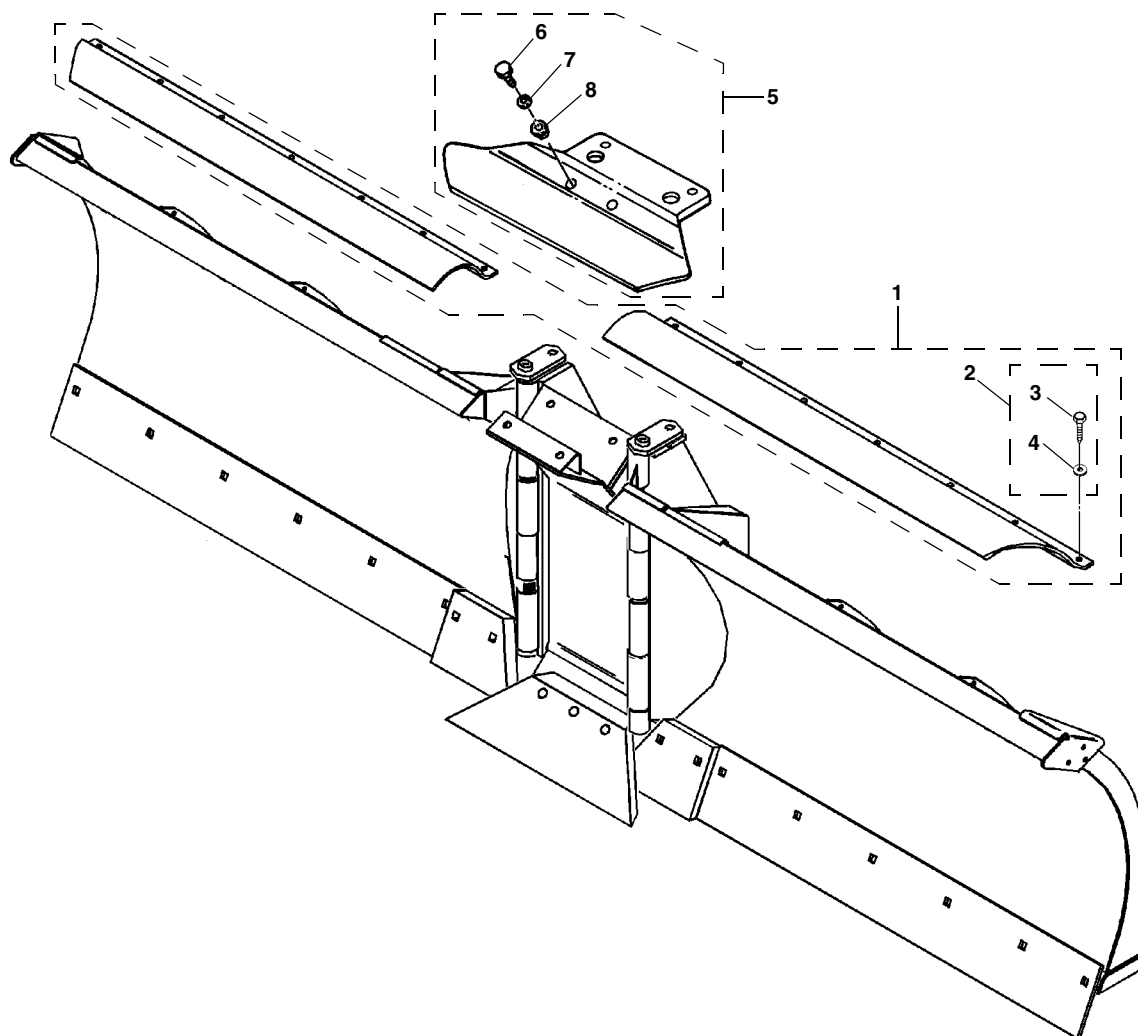
The "**PART NO.**" Is the number used to order replacement parts. If a number does not appear in the column the part is only available by ordering the complete assembly.

The "**DESCRIPTION**" is the name of the replacement part. At times the name may be indented, this means that the indented parts are part of the preceding assembly.

The "**QTY.**" Is the quantity needed to service the assembly illustrated, not the complete product.

ITEM	PART NO.	DESCRIPTION	QTY
1	96100001	Elbow, 90° .....	2
2	96100522	O-Ring.....	12
3	96101993	Elbow, 90°, w/Screen .....	3

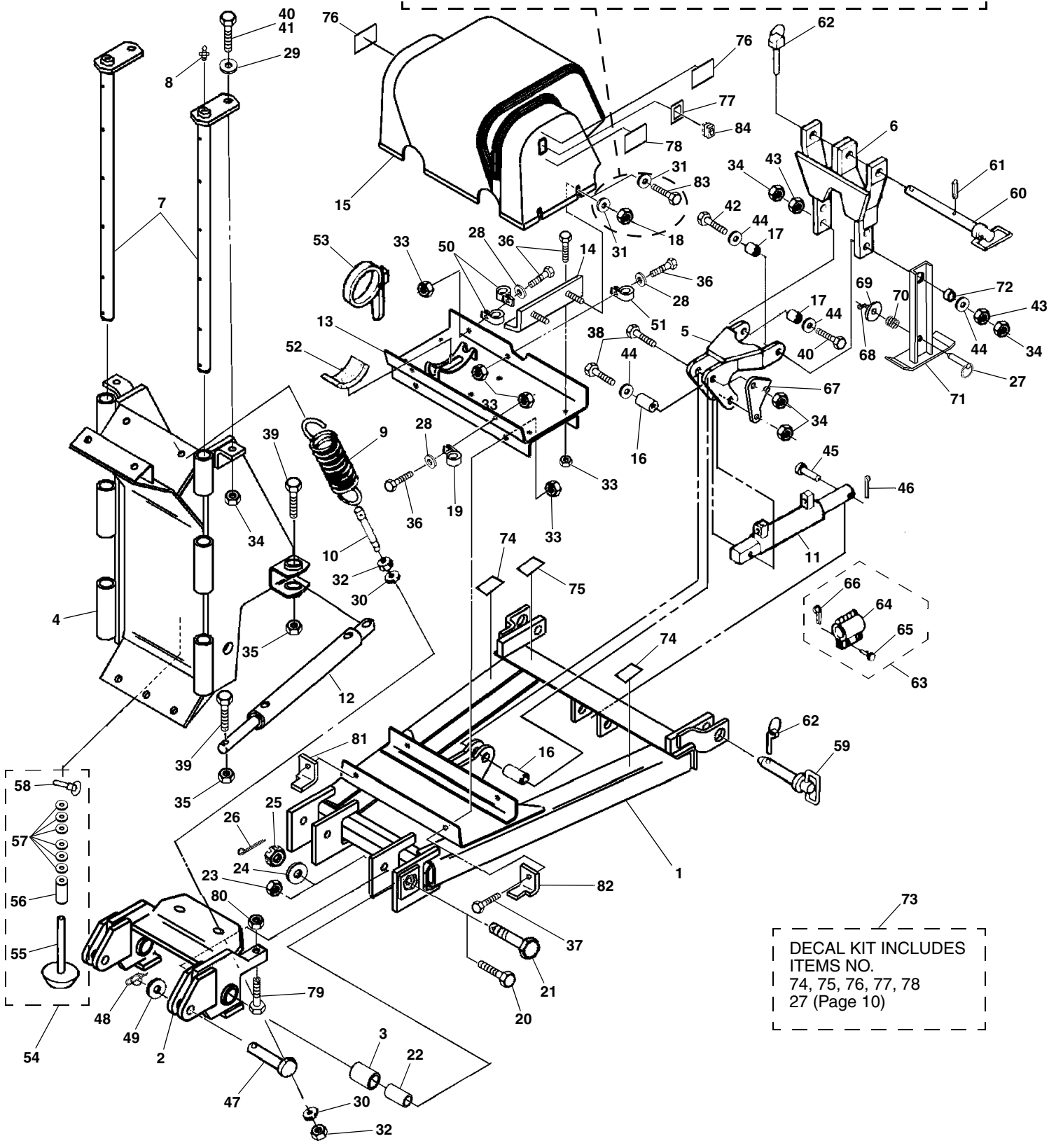
# DEFLECTORS



ITEM	PART NO.	DESCRIPTION	QTY
1	96102605	Wing Deflector Kit (99" Plow) (Includes Mtg. Hdwr.)	1
	96102606	Wing Deflector Kit (109" Plow) (Includes Mtg. Hdwr.)	1
2	96102482	HARDWARE KIT (Wing Deflectors)	1
3	98019176	Screw, Self Tapping, 5/16" x 1"	14
4	98019230	Washer, Plain, 5/16"	14
5	96102604	Deflector, Center, (Includes Mtg. Hdwr.)	1
6	98019176	Screw, Self Tapping, 5/16" x 1" (Used with S.N. 28D100799 & Before)	2
	98100167	Cap Screw, Hex, 5/16"-18 NC x 2" (Used with S.N. 28D100800 & After)	2
7	98019230	Washer, Plain 5/16"	2
8	96102938	Spacer (Used with S.N. 28D100800 & After)	2

# POWER PACK

ITEMS 18 AND 31 ARE USED FOR PUMP PLATFORMS WITH WELD SCREWS  
 ITEMS 31 AND 84 ARE USED FOR PUMP PLATFORMS WITH THREADED HOLES

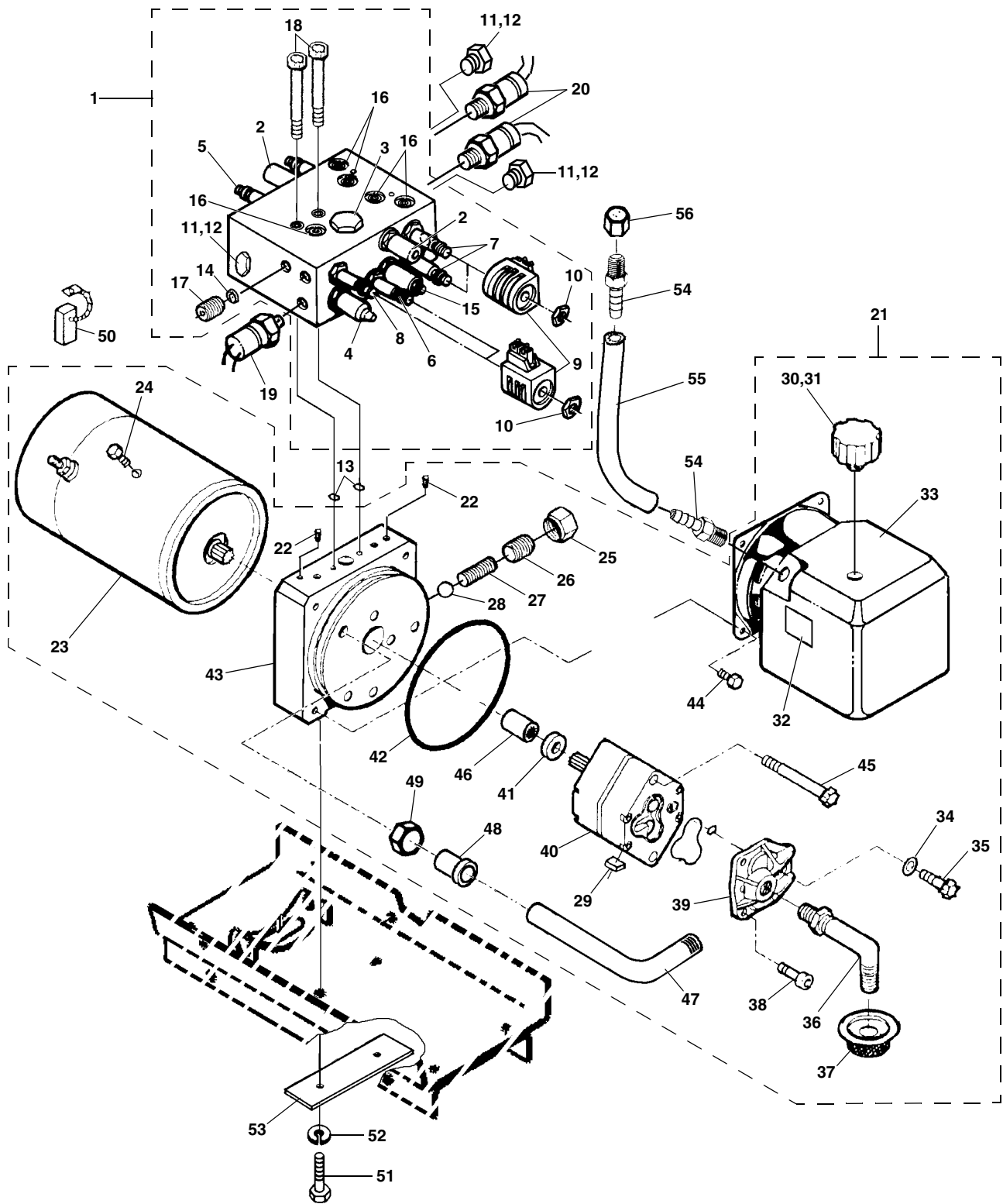


DECAL KIT INCLUDES  
 ITEMS NO.  
 74, 75, 76, 77, 78  
 27 (Page 10)

# POWER PACK

ITEM	PART NO.	DESCRIPTION	QTY
1	96105074	Frame, Main (Used with S.N. 28D100800 & After)	1
	96103061	Kit, Main Frame (Replaces 96101769 - Used with S.N. 28D100799 & Before)	1
	96102994	Frame, Main	1
	98100169	Screw, Special Pivot	2
	98100170	Washer, Special	2
	98009068	Nut, Slotted 1" x 14NC	2
	98009069	Pin, Cotter 5/32" X 2"	2
2	96103000	Frame, Pivot, With Bushings	1
3	96102832	Bushing	2
4	96105260	Frame, Blade Center (May require Stop Update Kit 96108121, contact Technical Services)	1
5	96102927	Bellcrank	1
6	96102961	Link, Lift	1
7	96101833	Pin, Pivot	2
8	98100098	Zerk, 1/8" NPT	2
9	96001392	Spring, Trip	2
10	96102781	Eyebolt	2
11	96100085	Cylinder, Raise, (See LIFT CYLINDER on page 7)	1
12	96101977	Cylinder, Angle, (See ANGLE CYLINDERS on page 8)	2
13	96101767	Platform, Pump	1
14	96102358	Bracket, End	2
15	96102396	Cover, Pump	1
16	96102227	Spacer, Bellcrank	2
17	96102271	Spacer, Lift Link	2
18	98009150	Nut, Nylock, 5/16"-18 NC	4
19	96101891	Clamp, Tube	2
20	98009111	Cap Screw, Hex, 5/8" 11 NC x 4-1/2" (Used with S.N. 28D100799 & Before)	2
21	98100169	Screw, Special Pivot (Used with S.N. 28D100800 & After)	2
22	96102958	Sleeve, Bushing Spacer (Used with S.N. 28D100799 & Before)	2
23	98009038	Nut, Nylock, 5/8" 11 NC (Used with S.N. 28D100799 & Before)	2
24	98100170	Washer, Special (Used with S.N. 28D100800 & After)	2
25	98009068	Nut, Slotted 1" x 14NC (Used with S.N. 28D100800 & After)	2
26	98009069	Pin, Cotter 5/32" X 2" (Used with S.N. 28D100800 & After)	2
27	96102131	Pin, Latch	1
28	98009032	Washer, Plain, 3/8"	5
29	98009011	Washer, Plain, 1/2"	4
30	98009039	Washer, Plain, 5/8"	4
31	98019230	Washer, Plain, 5/16", Black	4
32	98009078	Nut, 5/8" 11 NC	4
33	98009009	Nut, Nylock, 3/8" 16 NC	12
34	98009013	Nut, Nylock, 1/2" 13 NC	6
35	98009038	Nut, Nylock, 5/8" 11 NC	4
36	98009022	Cap Screw, Hex, 3/8"-16 NC x 1"	8
37	98009034	Cap Screw, Hex, 3/8"-16 NC x 1-1/4"	4
38	98009036	Cap Screw, Hex, 1/2"- 13 NC x 3-1/2"	2
39	98009194	Cap Screw, Hex, 5/8"- 11 NC x 4"	4
40	98100010	Cap Screw, Hex, 1/2"- 13 NC x 2" (Used with S.N. 28D100799 & Before)	4
41	98100010	Cap Screw, Hex, 1/2"- 13 NC x 2" (Used with S.N. 28D100800 & After)	3
42	98100062	Cap Screw, Hex, 1/2"- 13 NC x 2-1/4" (Used with S.N. 28D100800 & After)	1
43	98100172	Nut, Hex, Jam, 1/2"- 13 NC (Used with S.N. 28D100800 & After)	2
44	98100176	Washer, Special, Hardened	3
45	98100007	Pin, Clevis, 3/4" x 4"	1
46	98009085	Pin, Cotter 5/32" x 1-1/2"	1
47	98100165	Pin, Clevis 3/4" x 2-1/2"	2
48	98100099	Pin, Special	2
49	98009030	Washer, Plain 3/4"	2
50	96101956	Cable Clamp 3/4"	2
51	96102440	Clamp Hose Guide	1
52	96001354	Pad, Neoprene	1
53	98009138	Clamp, Mounting, Pump	1
54	96102542	Shoe Assembly	1
55		Shoe, Cast, 1" Shaft	1
56		Spacer 1"	1
57	98009005	Washer, Flat 1"	14
58	98009169	Pin, Lynch 1/4" x 1-9/16"	1
59	96105046	Pin, Hitch, 3/4" x 2-1/2"	2
60	96100101	Pin, Hitch	1
61	98100008	Pin, Roll, Spring	1
62	98009169	Pin, Lynch, 1/4" x 1-9/16"	3
63	96001192	Clamp, Lock, Assembly, 1-1/2"	1
64		Clamp	1
65	98009007	Pin, Clevis, 5/16 x 1"	2
66	98009019	Pin, Cotter, #6 x 2"	2
67	96102124	Latch Support	1
68	98100105	Pin, Cotter	1
69	98100104	Washer, Plain, Wide, 3/8"	1
70	96102130	Spring	1
71	96102170	Stand	1
72	96102168	Spacer	1
73	96102370	DECAL KIT	1
74	97100004	Decal, Important	1
75	97100005	Decal, Patent	1
76	97100400	Decal, Warning	1
	97100664	Decal, Sno-Way (See Page 10, Item31)	1
77	97100556	Decal, Stand Switch	1
78	97100472	Decal, Important	1
79	98100164	Screw, Special	2
80	98100157	Nut, Hex, Jam 5/8"- 11 NC	2
81	96102915	Plate, Wear, R.H.	1
82	96102916	Plate, Wear, L.H.	1
83	98019176	Screw, Flanged Head, Self-Tapping, Black, 5/16 x 1"	4
84	96102562	Switch, Rocker, ON-OFF-MOM	1

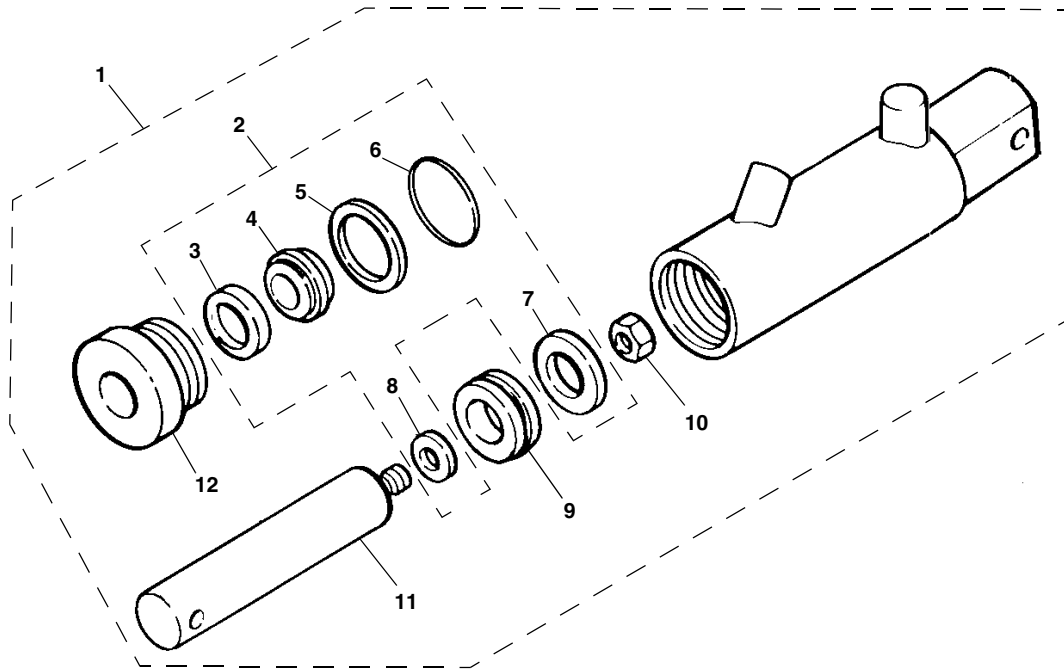
# HYDRAULIC POWER UNIT



# HYDRAULIC POWER UNIT

ITEM	PART NO.	DESCRIPTION	QTY
1	96102449	MANIFOLD ASSEMBLY .....	1
2	96102791	Valve, Crossover, Relief (Port J) Wing Crossover .....	2
3	96102544	Valve, Check (Port H) .....	1
4	96102552	Valve, Relief (Port N) Down Pressure .....	1
5	96102545	Valve, (Port B) Lower .....	1
6	96102546	Valve - 3W2P (Port A) Directional Control .....	1
7	96102547	Valve, Spool 4W2P (Ports C,D,E,F) Wing Valve .....	4
8	96102548	Valve, 4W2P (Port G) Down Pressure .....	1
9	96103467	Coil, 10V DC .....	7
10	98100144	Nut, Coil Retaining .....	7
11		Plug #6 SAE (Used with S.N. 28D101329 & Before) .....	1
12		Plug #6 SAE (Used with S.N. 28D101330 & After) .....	3
13	96102551	O-Ring .....	2
14	96102553	Orifice, Check, 0.063" .....	1
15	96103250	Valve, Relief, Adj. (Port L) Wing Relief, 2150 PSI .....	2
16	96102225	Plug #4 SAE .....	5
17		Orifice Stop .....	1
18	96102556	Cap Screw, Socket Head 1/4"-20 x 3-1/4" .....	2
19	96102416	Switch, Pressure, 525 PSI .....	1
20	96102422	Switch, Pressure, 1700 PSI (Used with S.N. 28D101329 & Before) .....	2
21	96102448	HYDRAULIC POWER UNIT ASSEMBLY .....	1
22		Pin, 1/8" x 1/4" .....	2
23	96001551	Motor, 12VDC .....	1
24		Screw, Taptite 1/4"-20 x 1/4" .....	2
25	96001566	Cap, Relief .....	1
26	96001570	Screw, Adjusting .....	1
27	96001552	Spring .....	1
28	96001538	Ball, 3/8" .....	1
29	96001543	Magnet .....	1
30		Cap, Breather (Used with S.N. 28D100130 & Before) .....	1
31	96102489	Cap, Breather (Used with S.N. 28D100131 & After) .....	1
32	97100475	Decal, Tank Fill Line .....	1
33	96102538	Tank, Plastic .....	1
34	98001541	Washer .....	1
35	98001550	Bolt, TORX, 5/16"-18 x 1" .....	1
36	96001568	Pipe, Elbow, 90°, 3/8" NPT - Barb .....	1
37	96001544	Filter, 149 Micron .....	1
38	98001547	Screw, Taptite, M6-1" x 12MM .....	2
39	96001546	Cover, Suction, 3/8" NPT .....	1
40	96102491	Pump .....	1
41	96001539	Seal, Shaft 1/2" x 1" .....	1
42	96001557	O-ring .....	1
43	96102490	Endhead .....	1
44		Screw, Hex, Flange Head, #12-24 x 1/2" .....	4
45	98100136	Bolt, TORX, 5/16"-24 x 3" .....	2
46	96101439	Coupling .....	1
47		Tube, Return (Used with S.N. 28D100131 & After) .....	1
48		Sleeve, Compression Tube (Used with S.N. 28D100131 & After) .....	1
49		Nut, Compression Tube (Used with S.N. 28D100131 & After) .....	1
50	96001675	Kit, Brush .....	1
51	98009022	Screw, Hex, 3/8"-16 NC x 1" .....	2
52	98009008	Washer, Lock 3/8" .....	2
53	96101023	Plate, Nut Lock .....	1
54		Fitting, 1/4" Pipe, Nylon (Used with S.N. 28D100130 & Before) .....	2
55		Tube, Poly (Used with S.N. 28D100130 & Before) .....	1
56		Cap, Threaded, Drilled (Used with S.N. 28D100130 & Before) .....	

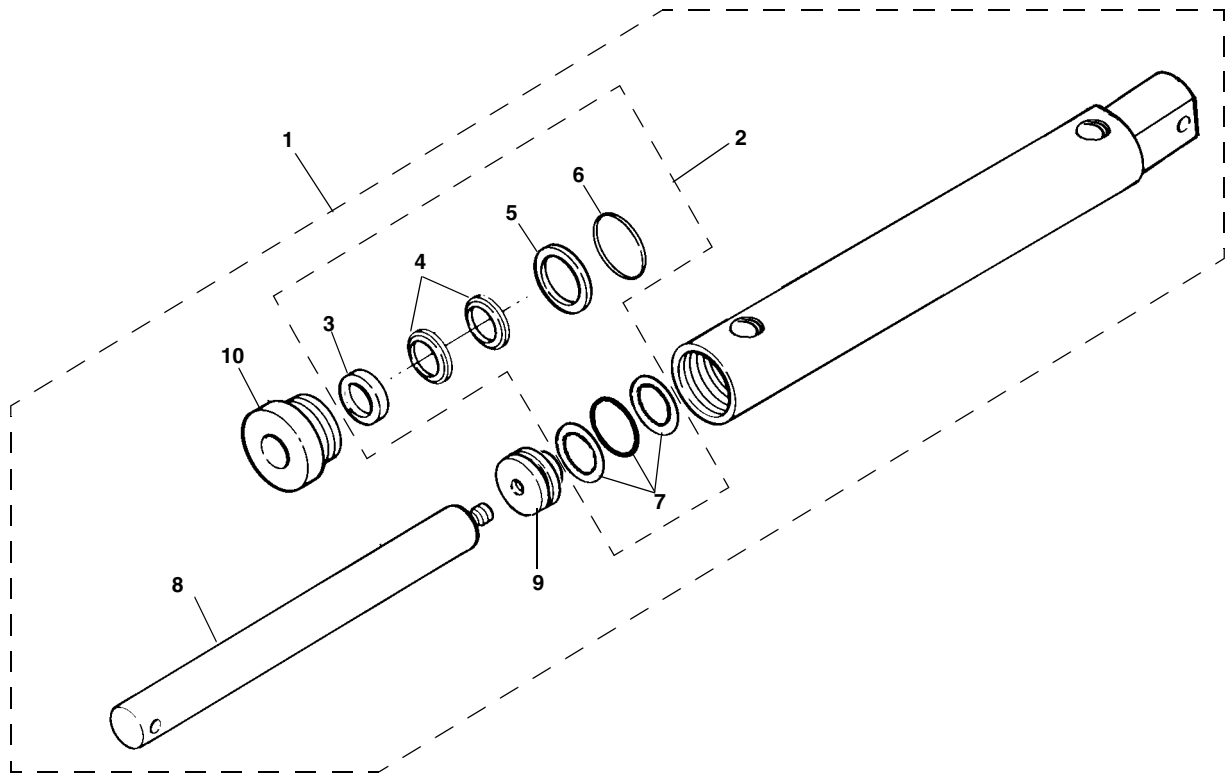
# LIFT CYLINDER



ITEM	PART NO.	DESCRIPTION	QTY
1	96100085	Cylinder, Lift, 2-1/2" .....	1
2	96101516	Kit, Seal .....	1
3		Seal, Wiper.....	1
4		Seal, Rod .....	1
5		Ring, Back-up.....	1
6		Seal, O-ring .....	1
7		Seal, Piston .....	1
8		Seal, O-ring .....	1
9		Piston, 2-1/2" .....	1
10		Nut .....	1
11		Rod, Cylinder .....	1
12	96100492	Nut, Gland 2-1/2" .....	1

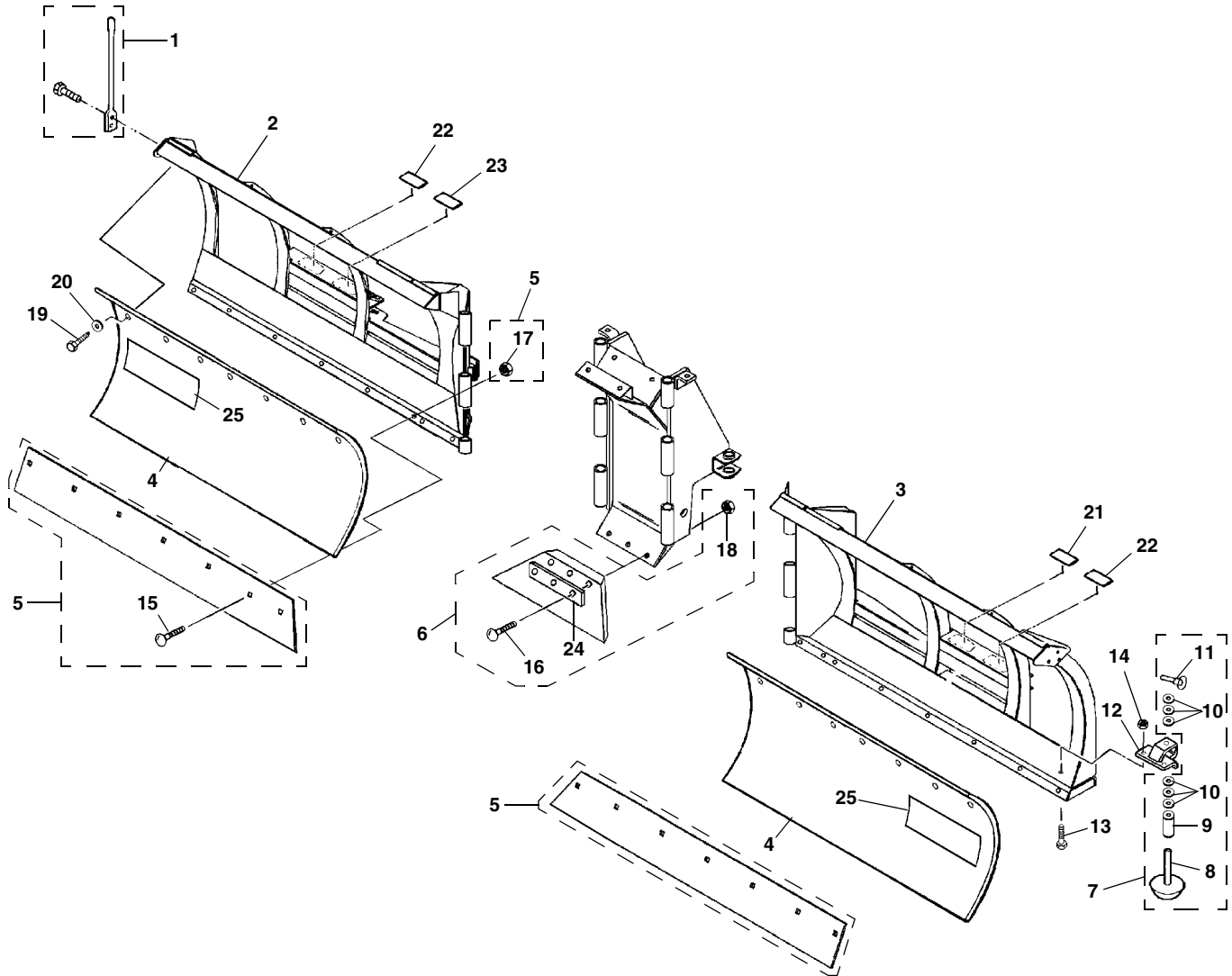


# ANGLE CYLINDERS



ITEM	PART NO.	DESCRIPTION	QTY
1	96101977	Cylinder, Angle, 2-1/4" .....	1
2	96102537	Kit, Seal 2-1/4" .....	1
3		Wiper, Rod .....	1
4		Seal, Rod .....	1
5		Ring, Back Up .....	1
6		O-Ring .....	1
7		Seal, Piston .....	1
8		Rod, Cylinder .....	1
9		Piston .....	1
10	96102536	Nut, Gland 2-1/4" .....	1

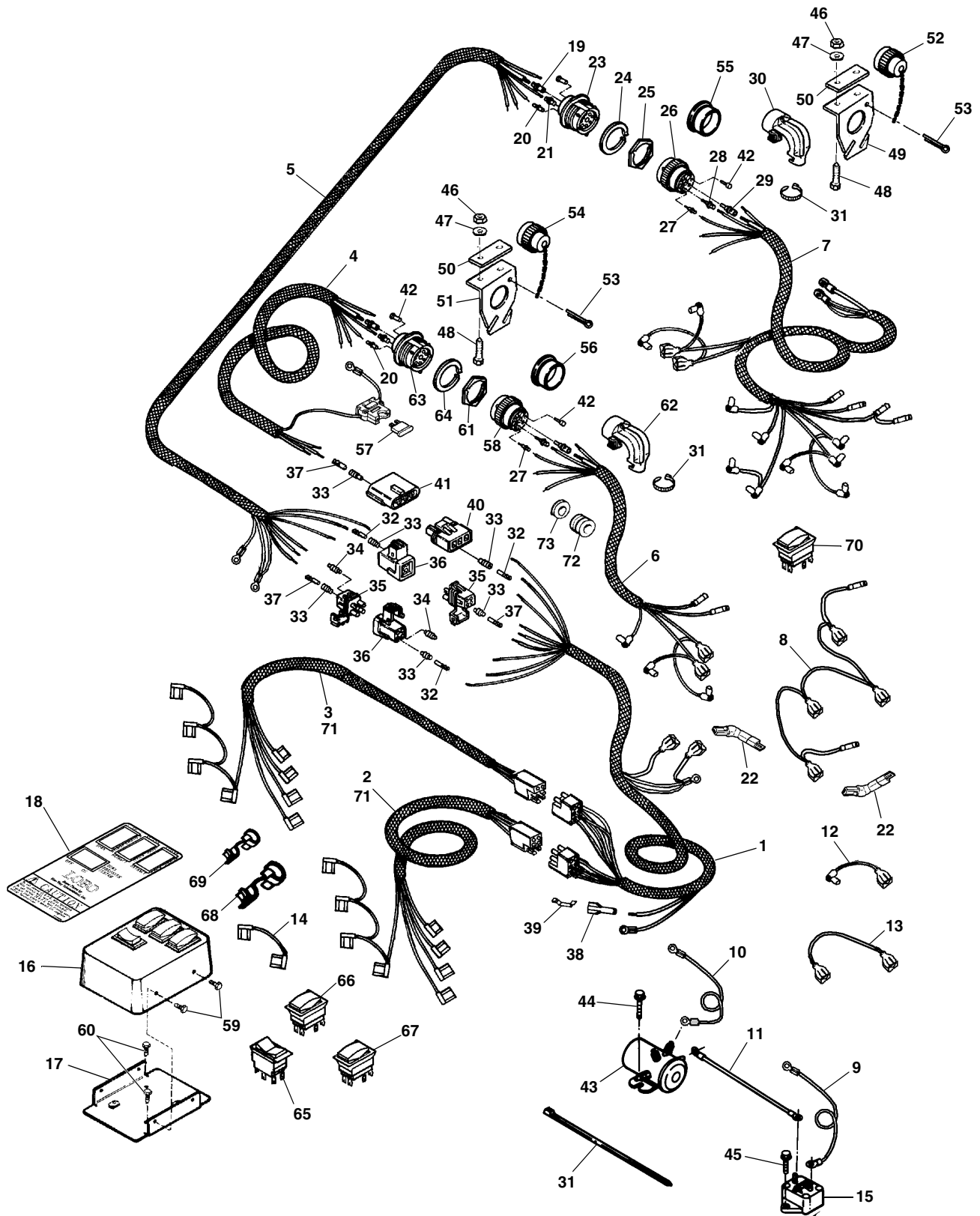
# BLADES



# BLADES

ITEM	PART NO.	DESCRIPTION	QTY
1	96006002	Kit, Guide, Blade (Includes 2 Guides And Mtg. Hdwr.) .....	1
2		Frame, 99", RH .....	1
		Frame, 109", RH.....	1
3		Frame, 99", LH .....	1
		Frame, 109", LH .....	1
4	96102474	Blade, Steel, 99" (Bolt On Style) .....	2
	96101844	Blade, Steel, 109" ((Bolt On Style) .....	2
5	96103891	Wearstrip Kit, Steel, 99" (Includes Mtg. Hdwr.) .....	2
	96103892	Wearstrip Kit, Steel, 109" (Includes Mtg. Hdwr.) .....	2
		NOTE: Each Wearstrip Kit will replace Wearstrip on one Wing only. To replace Wearstrips on both Wings, two Kits are required.	
6	96102607	Wearstrip Kit, Center, Polymer, (Includes Mtg. Hdwr.) .....	1
	96106033	Wearstrip Kit, Center, Urethane, (Includes Mtg. Hdwr.) .....	1
7	96102542	Assembly, Shoe.....	2
8		Shoe, Cast, 1" Shaft .....	1
9		Spacer, 1" .....	1
10	98009005	Washer, Flat, 1" .....	14
11	98009169	Pin, Lynch, 1/4" x 1-9/16".....	1
12	96101401	Bracket, Shoe.....	2
13	98009034	Cap Screw, Hex., 3/8"- 16 NC x 1-1/4" .....	8
14	98009009	Nut, Nylock, 3/8"-16NC .....	8
15	98009171	Bolt, Carriage, Gr. 5, 1/2"-13 NC x1-1/2" .....	12
16	98009151	Bolt, Carriage, Gr. 5, 7/16"-14 NC x 2" .....	3
17	98009013	Nut, Nylock, 1/2" - 13 NC .....	12
18	98009050	Nut, Nylock 7/16"-14 NC .....	3
19	98019176	Screw, Self Tapping.....	10
20	98019230	Washer, Flat, 5/16" .....	10
21	97100001	Decal, Warning.....	1
22	97100018	Decal, Warning.....	2
23	97100006	Decal, Important.....	1
24		Strip, Mounting .....	1
25	97100664	Decal, Sno-Way .....	2

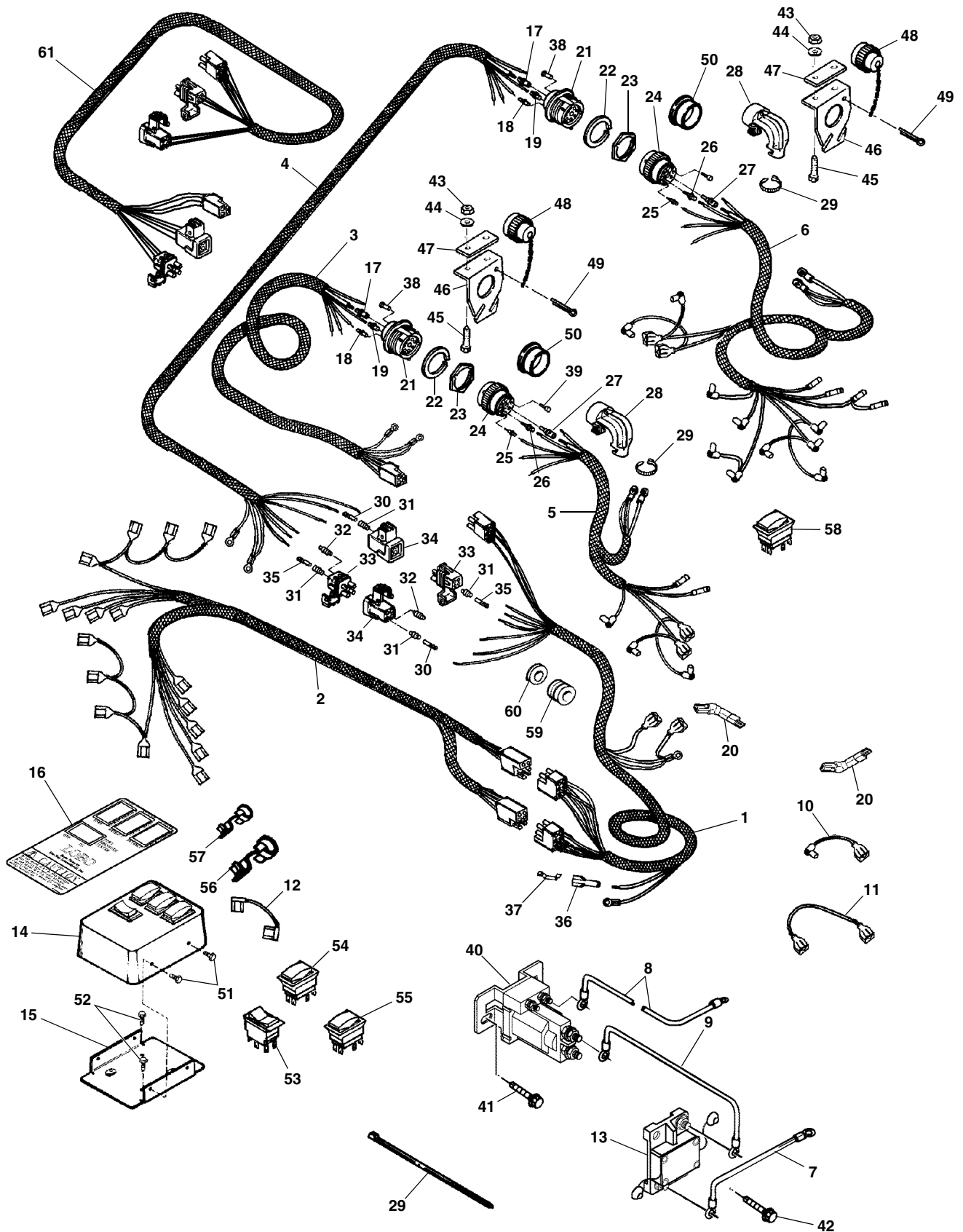
# WIRING HARNESS — S.N. 28D100799 & PRIOR



# WIRING HARNESS — S.N. 28D100799 & PRIOR

ITEM	PART NO.	DESCRIPTION	QTY
1	96102136	Harness, Wire, W1-Vehicle .....	1
2		Harness, Wire, W2-Control Box "B" (See Item #71 this page).....	1
3		Harness, Wire, W3-Control Box "A" (See Item #71 this page).....	1
4	96102101	Harness, Wire, W4-Vehicle End Control .....	1
5	96100097	Harness, Wire, W5-Vehicle End .....	1
6	96102099	Harness, Wire, W6-Pump End Control .....	1
7	96103234	Harness, Wire, W7-Pump End Main .....	1
8	96102111	Harness, Wire, W8-Pressure Switch .....	1
9	96002101	Harness, Wire, W9-Battery Power .....	1
10	96002100	Harness, Wire, W10-Battery Ground .....	1
11	96002101	Harness, Wire, W11-Solenoid Switch Power .....	1
12	96102486	Harness, Wire, W12-Jumper .....	1
13	96102487	Harness, Wire, W13-Jumper .....	1
14	96102485	Harness, Wire, W14-Jumper .....	2
15	96101210	Breaker, Circuit, 150A .....	1
16	96102466	Cover, Controller Box .....	1
17	96102465	Base, Controller Box .....	1
18	97100462	Decal, Controller Box .....	1
19	96002119	Contact, Socket, Gauge 6 .....	1
20	96002121	Contact, Socket, 12-14 Gauge .....	10
21	96002120	Contact, Socket, 8-10 Gauge .....	2
22	96101014	Diode.....	5
23	96002113	Socket, Harness, Vehicle .....	1
24	98002115	Washer, Lock.....	1
25	98002114	Nut.....	1
26	96002112	Plug, Harness, Power Pack .....	1
27	96002118	Contact, Pin, 12-14 Gauge .....	10
28	96002117	Contact, Pin, 8-10 Gauge.....	2
29	96002116	Contact, Pin, 6 Gauge .....	1
30	96002111	Elbow, Strain Relief, 90° .....	1
31	96001227	Strap, Tie, Plastic .....	7
32	96002138	Contact, Pin.....	9
33	96002139	Seal, Silicone, Blue .....	18
34	96002140	Plug, Silicone, Green .....	4
35	96002137	Socket, Harness.....	2
36	96002141	Plug, Harness, Vehicle .....	2
37	96002142	Contact, Socket.....	9
38	96002085	Terminal, Female Spade 1/4" - For ATO/ATC Blade Fuse.....	1
	96101845	Terminal, Female Spade 3/16" - For Mini Blade Fuse.....	1
39	96002083	Tap, Auto Fuse Power - For ATO/ATC Blade Fuse .....	1
	96101832	Tap, Auto Fuse Power- For Mini Blade Fuse .....	1
40	96100498	Connector, Socket.....	1
41	96100497	Connector, Plug.....	1
42	96002124	Plug, Sealing .....	8
43	96002086	Switch, Solenoid.....	1
44	98009092	Screw, Self Tapping, 1/4" x 1" .....	2
45	98100037	Screw, Self Tapping, #10 x 1".....	2
46	98009033	Nut, Hex, 1/4" .....	4
47	98009031	Washer, Lock, 1/4" .....	4
48	98009027	Cap Screw, Hex 1/4" x 1" .....	4
49	96002130	Mounting Bracket, Large .....	1
50	96001684	Tape, Foam, Adhesive Back, 3" Long.....	1
51	96102102	Mounting Bracket, Small .....	1
52	96002107	Cap, Metal Protective, Large .....	1
53	98009233	Pin, Cotter, 3/16" x 1" .....	2
54	96102104	Cap, Metal Protective, Small .....	1
55	96002108	Cap, Plastic Protective, Large .....	1
56	96102105	Cap, Plastic Protective, Small .....	1
57		Fuse, 10 Amp Automotive, (Obtain Locally).....	1
58	96102106	Plug, Harness, Power Pack, Small .....	1
59	98100146	Screw, Self Tapping, #10 x 3/8".....	4
60	98009071	Screw, Self Drilling, 1/4" x 1-1/2".....	2
61	96102109	Nut, Small.....	1
62	96102108	Elbow, Strain Relief, 90°, Small.....	1
63	96102107	Socket, Harness Vehicle, Small .....	1
64	96102110	Washer, Lock, Small.....	1
65	96102479	Switch, Rocker, DPDT W/Lamp .....	1
66	96102480	Switch, Rocker, ON-OFF-MOM.....	1
67	96102481	Switch, Rocker, MOM-OFF-MOM .....	2
68	96102533	Bushing, Strain Relief (Large) .....	1
69	96102532	Bushing, Strain Relief (Small) .....	1
70	96102562	Switch, Rocker, ON-OFF-MOM (In Pump Cover).....	1
71	96102964	Harness, Wire W2 & W3 Control Box "A" and "B" .....	1
		Note: #96102964 Incorporates Both #97102137 & #96102138 Into One Harness	
72	96100298	Grommet, Rubber, 1" .....	1
73	96101846	Seal, Neoprene .....	1

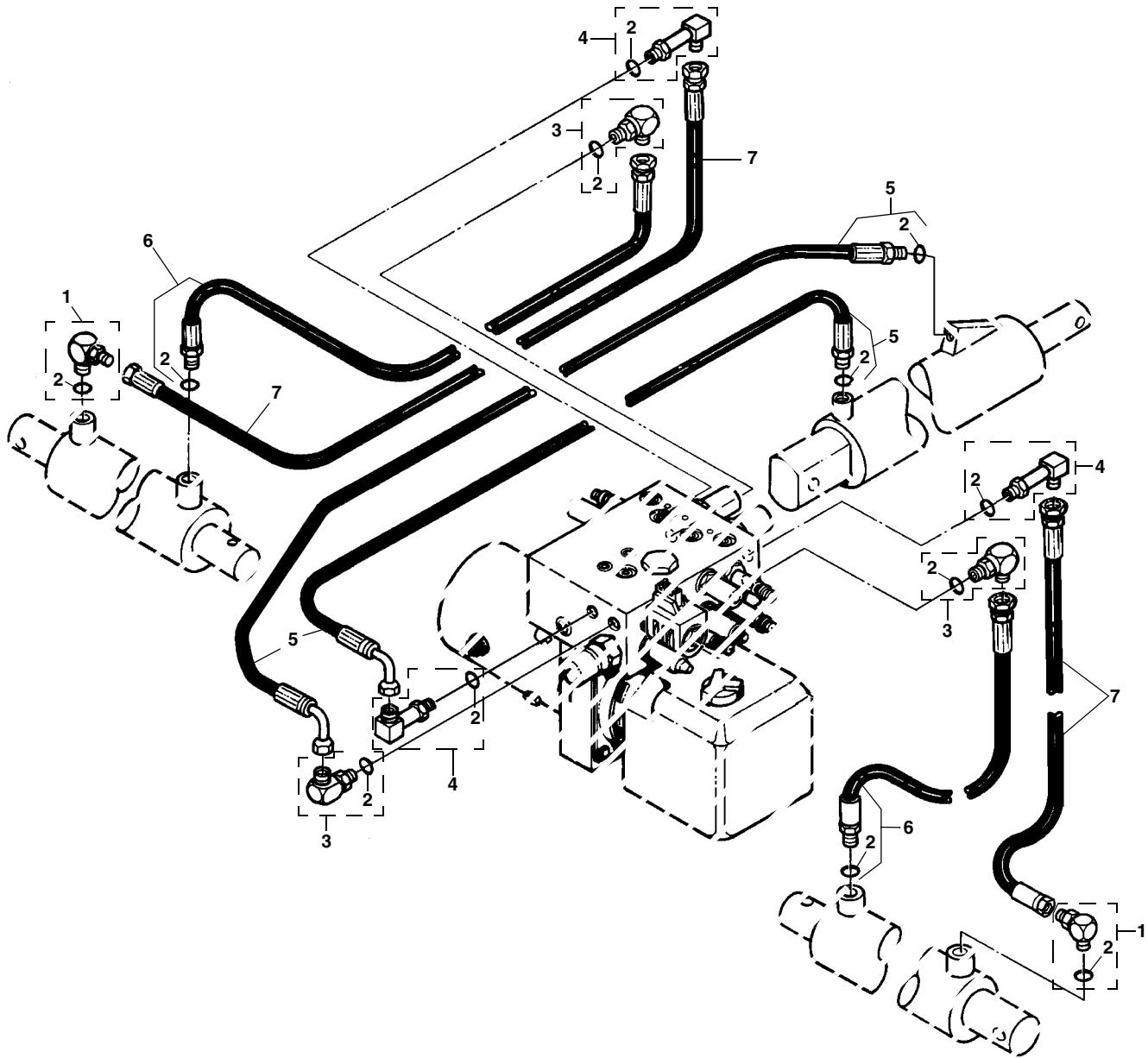
# WIRING HARNESS — S.N. 28D100800 & AFTER



# WIRING HARNESS — S.N. 28D100800 & AFTER

ITEM	PART NO.	DESCRIPTION	QTY
1	96103237	Harness, Wire, W1-Vehicle (Used with S.N. 28D100800 & after).....	1
2	96102964	Harness, Wire, W2 & W3-Control Box "B" .....	1
3	96103236	Harness, Wire, W4-Vehicle End Control (Used with S.N 28D100800 & after).....	1
4	96100097	Harness, Wire, W5-Vehicle End.....	1
5	96103235	Harness, Wire, W6-Pump End Control (Used with S.N 28D100800 & after).....	1
6	96103234	Harness, Wire, W7-Pump End Main (Used with S.N 28D101330 & after).....	1
	96102098	Harness, Wire, W7-Pump End Main (Used with S.N. 28D100800 thru S.N. 28D101329) .....	1
7	96102891	Harness, Wire, W9-Battery Power .....	1
8	96002100	Harness, Wire, W10-Battery Ground .....	1
9	96102891	Harness, Wire, W11-Solenoid Switch Power .....	1
10	96102486	Harness, Wire, W12-Jumper.....	1
11	96102487	Harness, Wire, W13-Jumper.....	1
12	96102485	Harness, Wire, W14-Jumper.....	2
13	96101210	Breaker, Circuit, 150A .....	1
14	96102466	Cover, Controller Box .....	1
15	96102465	Base, Controller Box .....	1
16	97100462	Decal, Controller Box .....	1
17	96002119	Contact, Socket, Gauge 6.....	2
18	96002121	Contact, Socket, 12-14 Gauge.....	10
19	96002120	Contact, Socket, 8-10 Gauge.....	4
20	96101014	Diode .....	1
21	96002113	Socket, Harness, Vehicle .....	2
22	98002115	Washer, Lock .....	2
23	98002114	Nut .....	2
24	96002112	Plug, Harness, Power Pack.....	2
25	96002118	Contact, Pin, 12-14 Gauge .....	10
26	96002117	Contact, Pin, 8-10 Gauge .....	4
27	96002116	Contact, Pin, 6 Gauge .....	2
28	96002111	Elbow, Strain Relief, 90° .....	2
29	96001227	Strap, Tie, Plastic.....	7
30	96002138	Contact, Pin .....	6
31	96002139	Seal, Silicone, Blue.....	12
32	96002140	Plug, Silicone, Green .....	4
33	96002137	Socket, Harness.....	2
34	96002141	Plug, Harness, Vehicle.....	2
35	96002142	Contact, Socket.....	6
36	96002085	Terminal, Female Spade 1/4" - For ATO/ATC Blade Fuse .....	1
	96101845	Terminal, Female Spade 3/16" - For Mini Blade Fuse .....	1
37	96002083	Tap, Auto Fuse Power - For ATO/ATC Blade Fuse.....	1
	96101832	Tap, Auto Fuse Power- For Mini Blade Fuse.....	1
38		Pin, Keying.....	2
39	96002124	Plug, Sealing.....	2
40	96002086	Switch, Solenoid .....	1
41	98009092	Screw, Self Tapping, 1/4" x 1" .....	2
42	98100037	Screw, Self Tapping, #10 x 1" .....	2
43	98009033	Nut, Hex, 1/4".....	4
44	98009031	Washer, Lock, 1/4".....	4
45	98009027	Cap Screw, Hex 1/4" x 1" .....	4
46	96002130	Mounting Bracket, Large.....	2
47	96001684	Tape, Foam, Adhesive Back, 3" Long .....	2
48	96002107	Cap, Metal Protective, Large.....	2
49	98009233	Pin, Cotter, 3/16" x 1".....	2
50	96002108	Cap, Plastic Protective, Large.....	2
51	98100146	Screw, Self Tapping, #10 x 3/8" .....	4
52	98009071	Screw, Self Drilling, 1/4" x 1-1/2" .....	2
53	96102479	Switch, Rocker, DPDT W/Lamp .....	1
54	96102480	Switch, Rocker, ON-OFF-MOM .....	1
55	96102481	Switch, Rocker, MOM-OFF-MOM .....	2
56	96102533	Bushing, Strain Relief (Large).....	1
57	96102532	Bushing, Strain Relief (Small).....	1
58	96102562	Switch, Rocker, ON-OFF-MOM (In Pump Cover) .....	1
59	96100298	Grommet, Rubber, 1" .....	1
60	96101846	Seal, Neoprene.....	1
61	96103886	Harness, Extension (Accessory).....	1

# HYDRAULIC SYSTEM



ITEM	PART NO.	DESCRIPTION	QTY
1	9610001	Elbow, 90°.....	2
2	96100522	O-Ring .....	12
3	96101993	Elbow, 90°, w/Screen.....	3
4	96102365	Elbow, 90°, Long, w/Screen.....	3
5	96102367	Hose, Hydraulic .....	2
6	96102384	Hose, Hydraulic .....	2
7	96102369	Hose, Hydraulic .....	2

NOTE: Items 1-3-4-5 and 6 include the necessary O-Ring, Item #2 (Part # 96100522).



# NUMERICAL INDEX

PART NO.	PAGE	ITEM	PART NO.	PAGE	ITEM	PART NO.	PAGE	ITEM
96001192	4	63	96002141	12	36	96102369	15	7
96001227	12	31		14	34	96102370	4	73
	14	29	96002142	12	37	96102384	15	6
96001354	4	52		14	35	96102396	4	15
96001392	4	9	96006002	10	1	96102416	6	19
96001538	6	28	96100001	15	1	96102422	6	20
96001539	6	41	96100085	4	11	96102440	4	51
96001543	6	29		7	1	96102448	6	21
96001544	6	37	96100097	12	5	96102449	6	1
96001546	6	39		14	4	96102465	12	17
96001551	6	23	96100101	4	60		14	15
96001552	6	27	96100298	12	72	96102466	12	16
96001557	6	42		14	59		14	14
96001566	6	25	96100492	7	12	96102474	10	4
96001568	6	36	96100497	12	41	96102479	12	65
96001570	6	26	96100498	12	40		14	53
96001675	6	50	96100522	15	2	96102480	12	66
96001684	12	50	96101014	12	22		14	54
	14	47		14	20	96102481	12	67
96002083	12	39	96101023	6	53		14	55
	14	37	96101210	12	15	96102482	2	2
96002085	12	38		14	13	96102485	12	14
	14	36	96101401	10	12		14	12
96002086	12	43	96101439	6	46	96102486	12	12
	14	40	96101516	7	2		14	10
96002100	12	10	96101767	4	13	96102487	12	13
	14	8	96101832	12	39		14	11
96002101	12	9		14	37	96102489	6	31
	12	11	96101833	4	7	96102490	6	43
96002107	12	52	96101844	10	4	96102491	6	40
	14	48	96101845	12	38	96102532	12	69
96002108	12	55		14	36		14	57
	14	50	96101846	12	73	96102533	12	68
96002111	12	30		14	60		14	56
	14	28	96101891	4	19	96102536	8	10
96002112	12	26	96101956	4	50	96102537	8	2
	14	24	96101977	4	12	96102538	6	33
96002113	12	23		8	1	96102542	4	54
	14	21	96101993	15	3		10	7
96002116	12	29	96102098	14	6	96102544	6	3
	14	27	96102099	12	6	96102545	6	5
96002117	12	28	96102101	12	4	96102546	6	6
	14	26	96102102	12	51	96102547	6	7
96002118	12	27	96102104	12	54	96102548	6	8
	14	25	96102105	12	56	96102551	6	13
96002119	12	19	96102106	12	58	96102552	6	4
	14	17	96102107	12	63	96102553	6	14
96002120	12	21	96102108	12	62	96102556	6	18
	14	19	96102109	12	61	96102562	12	70
96002121	12	20	96102110	12	64		14	58
	14	18	96102111	12	8	96102562	4	84
96002124	12	42	96102124	4	67	96102604	2	5
	14	39	96102130	4	70	96102605	2	1
96002130	12	49	96102131	4	27	96102606	2	1
	14	46	96102136	12	1	96102607	10	6
96002137	12	35	96102168	4	72	96102781	4	10
	14	33	96102170	4	71	96102791	6	2
96002138	12	32	96102225	6	16	96102832	4	3
	14	30	96102227	4	16	96102891	14	7
96002139	12	33	96102271	4	17		14	9
	14	31	96102358	4	14	96102915	4	81
96002140	12	34	96102365	15	4	96102916	4	82
	14	32	96102367	15	5	96102927	4	5

# NUMERICAL INDEX

PART NO.	PAGE	ITEM	PART NO.	PAGE	ITEM	PART NO.	PAGE	ITEM
96102938	2	8	98009036	4	38			
96102958	4	22	98009038	4	23			
96102961	4	6		4	35			
96102964	12	71	98009039	4	30			
	14	2	98009050	10	18			
96103000	4	2	98009068	4	1			
96103061	4	1		4	25			
96103234	12	7	98009069	4	1			
	14	6		4	26			
96103235	14	5	98009071	12	60			
96103236	14	3		14	52			
96103237	14	1	98009078	4	32			
96103250	6	15	98009085	4	46			
96103467	6	9	98009092	12	44			
96103886	14	61		14	41			
96103891	10	5	98009111	4	20			
96103892	10	5	98009138	4	53			
96105046	4	59	98009150	4	18			
96105074	4	1	98009151	10	16			
96105260	4	4	98009169	4	58			
96106033	10	6		4	62			
97100001	10	21		10	11			
97100004	4	74	98009171	10	15			
97100005	4	75	98009194	4	39			
97100006	10	23	98009233	12	53			
97100018	10	22		14	49			
97100400	4	76	98019176	2	3			
97100462	12	18		2	6			
	14	16		4	83			
97100472	4	78		10	19			
97100475	6	32	98019230	2	4			
97100556	4	77		2	7			
97100664	4	76		4	31			
	10	25		10	20			
98001541	6	34	98100007	4	45			
98001547	6	38	98100008	4	61			
98001550	6	35	98100010	4	40			
98002114	12	25		4	41			
	14	23	98100037	12	45			
98002115	12	24		14	42			
	14	22	98100062	4	42			
98009005	4	57	98100098	4	8			
	10	10	98100099	4	48			
98009007	4	65	98100104	4	69			
98009008	6	52	98100105	4	68			
98009009	4	33	98100136	6	45			
	10	14	98100144	6	10			
98009011	4	29	98100146	12	59			
98009013	4	34		14	51			
	10	17	98100157	4	80			
98009019	4	66	98100164	4	79			
98009022	4	36	98100165	4	47			
	6	51	98100167	2	6			
98009027	12	48	98100169	4	1			
	14	45		4	21			
98009030	4	49	98100170	4	1			
98009031	12	47		4	24			
	14	44	98100172	4	43			
98009032	4	28	98100176	4	44			
98009033	12	46						
	14	43						
98009034	4	37						
	10	13						

## NOTES

---

**SNO-WAY® INTERNATIONAL, INC.**

**SNO-WAY®**  
**SNOW & ICE CONTROL EQUIPMENT**

Hartford, WI 53027 USA  
Website: [www.snoway.com](http://www.snoway.com)  
©2005 Sno-Way® International