

# **SNO-WAY<sup>®</sup>**

**SNOW & ICE CONTROL EQUIPMENT**

## **SERVICE PARTS MANUAL**

### **24 SERIES SNOW PLOW**

### **25 SERIES SNOW PLOW**

**FOR 24 SERIES SERIAL NUMBERS AFTER  
24G100000**

**24D100000**

**FOR 25 SERIES SERIAL NUMBERS AFTER  
25G100000**

**25D100000**

# TABLE OF CONTENTS

	Page
HYDRAULIC SYSTEM (GRAVITY DOWN) .....	2
HYDRAULIC SYSTEM (DOWN PRESSURE) .....	3
HYDRAULIC POWER UNIT .....	5
LIFT CYLINDERS .....	7
ANGLE CYLINDERS .....	8
POWER PACK .....	9
BLADES .....	11
ENGINE, VEHICLE & POWER PACK WIRING .....	13
WIRING HARNESS (GRAVITY DOWN) .....	14
WIRING HARNESS (DOWN PRESSURE) .....	15
WIRING HARNESS (WITH DOWN PRESSURE SYSTEM) .....	16
CONTROLLER (ROCKER SWITCH) .....	17
CONTROLLER STAND .....	18
CONTROLLER (JOYSTICK) .....	19
NUMERICAL INDEX .....	21

## PARTS LIST INTRODUCTION

Our dealership network stands by to provide you with any assistance you may require, including genuine Sno-Way service parts. All parts should be obtained from or ordered through your dealer. Give complete information about the part as well as the Model Number and Serial Number of your machine.

Record the Serial Number in the space provided in your Owner's Manual for quick reference. The Serial Number for the unit is on a plate located on the left frame gusset of the Hopper Frame.

"Right" and "Left" are determined from a position sitting on the Operators Seat of the vehicle.

We reserve the right to make changes or improvements in the design or construction of any part without incurring the obligation to install such changes in any unit previously delivered.

## USING THIS PARTS LIST

Below is parts listing with four columns. The first column is the "ITEM", the second is the "PART NUMBER", The third is the "DESCRIPTION" and the fourth is the "QUANTITY".

The "**ITEM**" is the number used in the corresponding illustration.

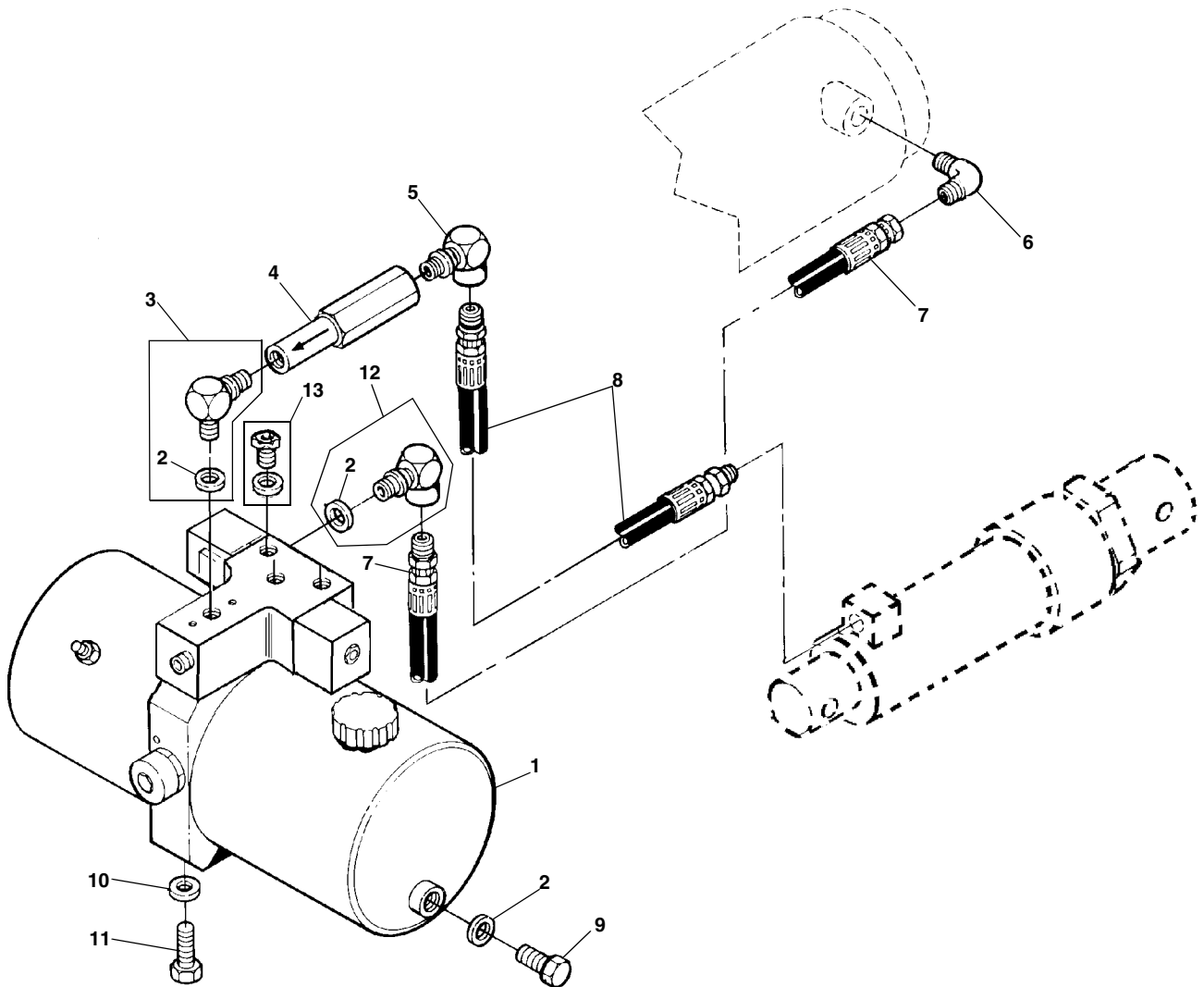
The "**PART NO.**" is the number used to order replacement parts. If a number does not appear in the column the part is only available by ordering the complete assembly.

The "**DESCRIPTION**" is the name of the replacement part. At times the name may be indented, this means that the indented parts are part of the preceding assembly.

The "**QTY.**" is the quantity needed to service the assembly illustrated, not the complete product.

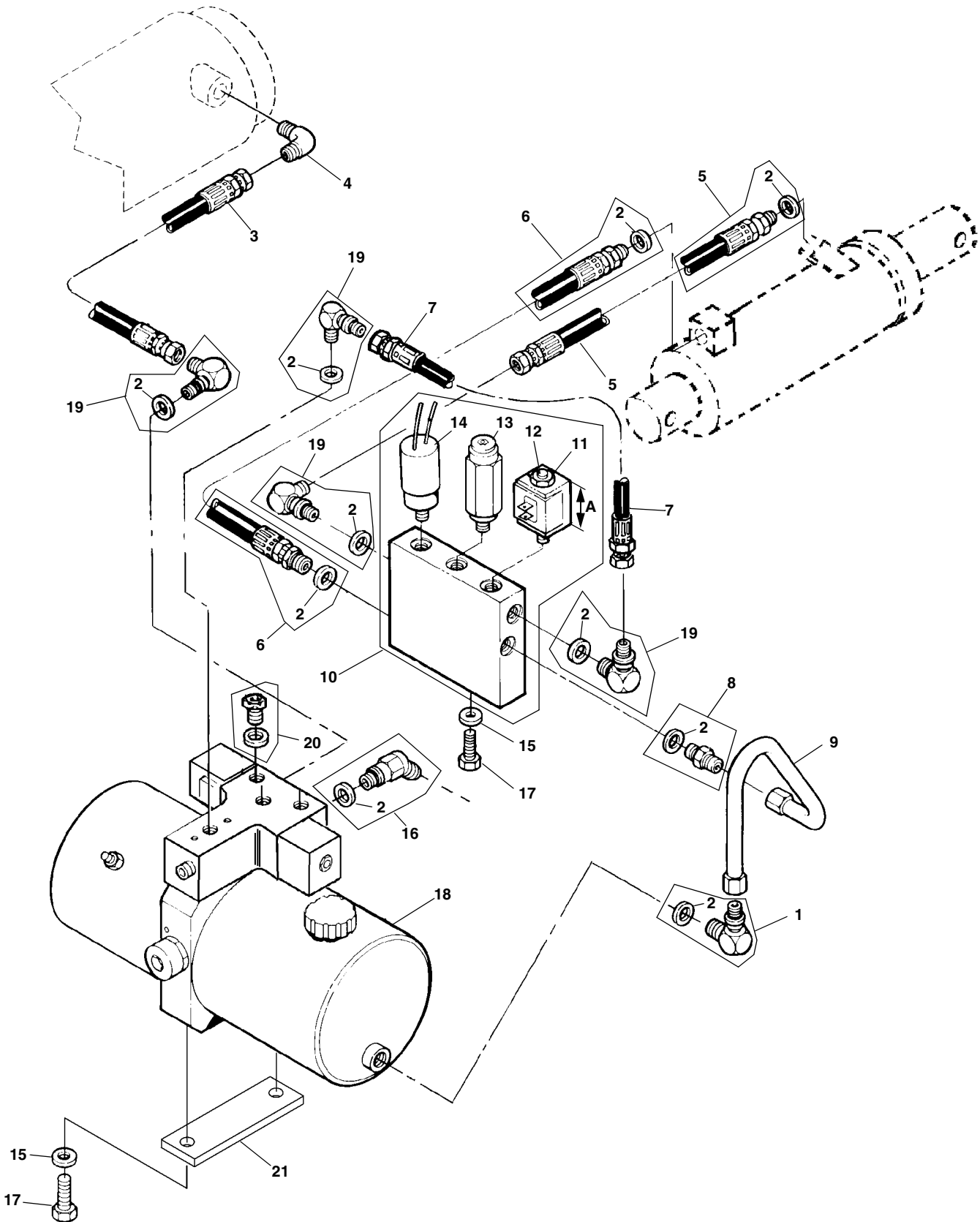
ITEM	PART NO.	DESCRIPTION	QTY.
1	96100083	O-ring1	
2	96001529	Elbow3	
3	98100036	Capscrew, Hex.,3/8"-	

# HYDRAULIC SYSTEM (GRAVITY DOWN)



ITEM	PART NO.	DESCRIPTION	QTY.
1	96100083	HYDRAULIC POWER UNIT ASS'Y (See Pg 5 for breakdown) .....	1
2	96100522	O-ring .....	3
3	96101995	Elbow, 90° .....	1
4	96001528	Flow Regulator Assembly .....	1
5	96001003	Elbow, 90° .....	1
6	96100002	Elbow, 90° .....	2
7	96100004	Hose, Hydraulic.....	2
8	96100370	Hose, Hydraulic.....	1
9		Plug, 9/16"-18 .....	1
10	98009008	Washer, Lock, 3/8" .....	2
11	98009022	Capscrew, Hex, 3/8"-16 x 1".....	2
12	96101993	Elbow, 90° .....	2
13	96102225	Plug, port w/ O-Ring.....	3

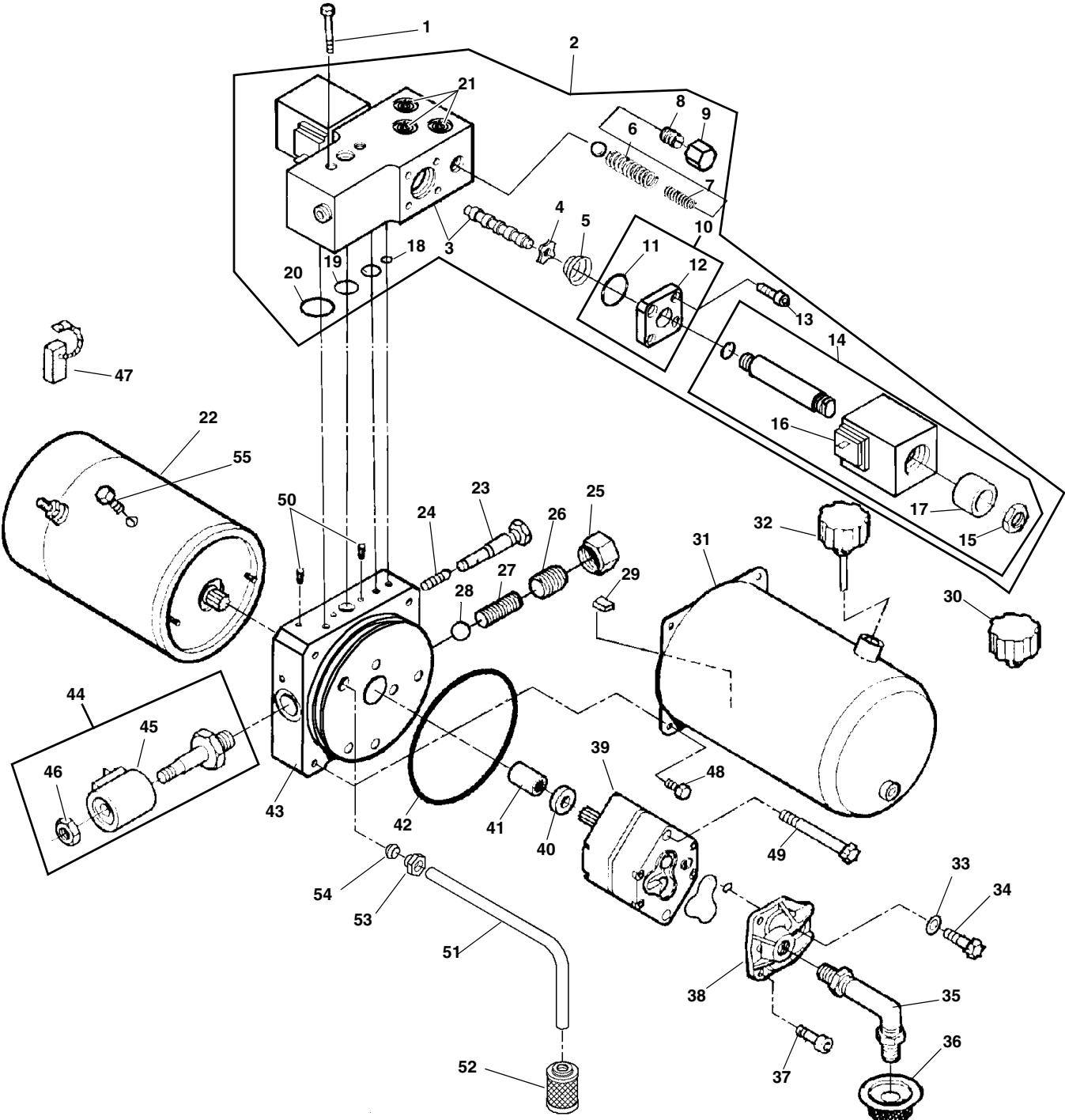
# HYDRAULIC SYSTEM (DOWN PRESSURE)



# HYDRAULIC SYSTEM (DOWN PRESSURE)

ITEM	PART NO.	DESCRIPTION	QTY 24	25
1	96100001	ELBOW ASSEMBLY, 90°	1	1
2	96100522	O-ring, Flat.	10	10
3	96100004	Hose, Hydraulic, Cylinder, Angle, 24"	2	2
4	96100002	Elbow, 90°	2	2
5	96100005	Hose, Hydraulic, Cylinder, Lift, 16"	1	1
6	96100006	Hose, Hydraulic, Cylinder, Lift, 20"	1	1
7	96101022	Hose, Hydraulic, Pressure, 12"	1	1
8	96100000	Fitting Straight Assembly	1	1
9	96100037	Tube, Drain, Hydraulic	1	1
10		VALVE BLOCK ASSEMBLY	1	-
		VALVE BLOCK ASSEMBLY	-	1
11	96100487	Coil, Electric (Hydra Force) - Height "A" = 1-7/16"	1	1
	96103467	Coil, Electric (Delta) - Height "A" = 1-3/4"	1	1
12	96100489	Valve, Spool (Hydra Force)	1	1
	96102548	Valve, Spool (Delta - [Coil Height "A" = 1-3/4"] Use one each 96100487 and 96100489)		
13	96102041	Valve, Relief	-	1
	96101522	Valve, Relief (Used With S.N.24D100000 to 24D101226 Only)	1	-
	96101975	Valve, Relief (Delta) (Used With S.N.24D101227 And After)	1	-
14	96100311	Switch, Pressure	-	1
	96101029	Switch, Pressure (Used With S.N.24D100000 to 24D101226 Only)	1	-
	96101976	Switch, Pressure (Used With S.N.24D101227 And After)	1	-
15	98009008	Washer, Lock, 3/8"	4	4
16	96101994	Elbow Assembly, 45°	1	1
17	98009022	Capscrew, Hex, 3/8"-16 x 1"	4	4
18	96100083	HYDRAULIC POWER UNIT ASSEMBLY (See Pg 5 for breakdown)	1	1
19	96101993	Elbow ASSEMBLY 90°	4	4
20	96102225	Plug, Port w/ O-Ring	3	3
21	96101023	Plate, Nut Lock	1	1

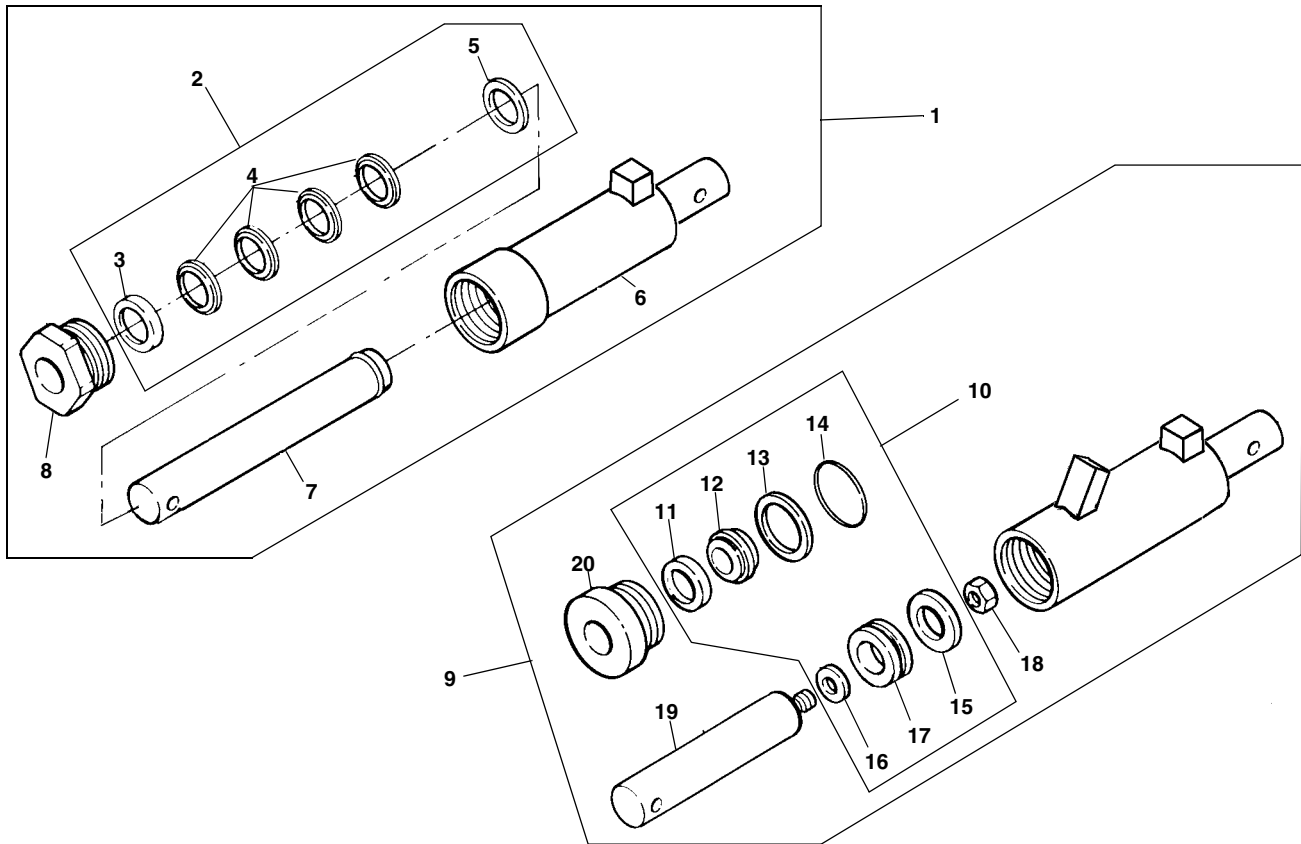
# HYDRAULIC POWER UNIT



# HYDRAULIC POWER UNIT

ITEM	PART NO.	DESCRIPTION	QTY
1	98001618	Capscrew, Socket Head 1/4"-20 x 2"	2
2	96102760	U-VALVE ASSEMBLY	1
3		Valve	1
4	98001577	Washer, Star	2
5	96001574	Spring, Conical	2
6	96001583	Ball And Spring	2
7	96001573	Spring	2
8	96001587	Screw, Adjusting	2
9	96001584	Cap, Hex	2
10	96001585	Adaptor	2
11	96001687	O-ring	2
12		Plate, Adaptor (Use 96001585)	
13	98001576	Screw, Torx, Socket Head, #10-32	8
14	96001575	Valve, Solenoid	2
15	98100135	Nut, Hex Jam	2
16		Coil, U-Valve	1
17	96102795	Spacer	1
18	96001578	O-ring	1
19	96001579	O-ring	2
20	96001580	O-ring	1
21	96102225	Plug, #4 SAE	3
22	96001551	Motor, 12VDC	1
23	96001549	Valve, Check, Power Beyond	1
24	96001565	SPRING AND BALL, CHECK ASSEMBLY	1
25	96001566	Cap, Relief	1
26	96001570	Screw, Adjusting	1
27	96001552	Spring	1
28	96001538	Ball, 3/8"	1
29	96001543	Magnet	1
30	96001540	Cap, Breather (For 24 Series Plow Serial No. Before 24G100858) (For 25 Series Plow Serial No. Before 25G100051) (For 25 Series Plow Serial No. Before 25D100764)	1
31	96101508	Reservoir	1
32	96101507	Cap, Breather with Dipstick (For 24 Series Plow Serial No. After 24G100857) (For 24 Series Plow Serial No. After 24D100000) (For 25 Series Plow Serial No. After 25D100763) (For 25 Series Plow Serial No. After 25G100050)	1
33	98001541	Washer	1
34	98001550	Bolt, Torx, 5/16"-18 x 1"	1
35	96001568	Pipe, Elbow, Nylon, 90°, 3/8" NPT	1
36	96001544	Filter, 149 Micron	1
37	98001547	Screw, Taptite, M6-1" x 12MM	2
38	96001546	Cover, Suction, 3/8" NPT	1
39	96001562	Pump	1
40	96001539	Seal, Shaft 1/2" x 1"	1
41	96101439	Coupling	1
42	96001557	O-ring	1
43	96101438	Endhead (For 24 Series Plow Serial No. Before 24G102434) (For 24 Series Plow Serial No. Before 24D104969) (For 25 Series Plow Serial No. Before 25D107215) (For 25 Series Plow Serial No. Before 25G100270)	1
	96104477	Endhead (For 24 Series Plow Serial No. After 24G102433) (For 24 Series Plow Serial No. After 24D104968) (For 25 Series Plow Serial No. After 25D107214) (For 25 Series Plow Serial No. After 25G100269)	1
44	96001553	Valve, Release	1
45	96001625	Coil, Solenoid, Lift Valve	1
46	98001626	Nut, Jam, 1/2"-20	1
47	96001675	Kit, Brush	2
48	98001555	Screw, Hex, Flange Head, #12-24 x 9/32"	4
49	98100204	Bolt, Torx, 5/16"-24 x 3"	2
50	98001556	Pin, 1/8" x 1/4"	2
51	96104448	Tube, Return	1
52	96104447	Filter, Inlet, 55 Micron	1
53	98100151	Nut, Compression Tube	1
54	98100150	Sleeve, Compression Tube	1
	ITEMS 51-54	(For 24 Series Plow Serial No. After 24G102433) (For 24 Series Plow Serial No. After 24D104968) (For 25 Series Plow Serial No. After 25D107214) (For 25 Series Plow Serial No. After 25G100269)	
55	98100137	Screw, Taptite, 1/4"-20 x 1/4"	1

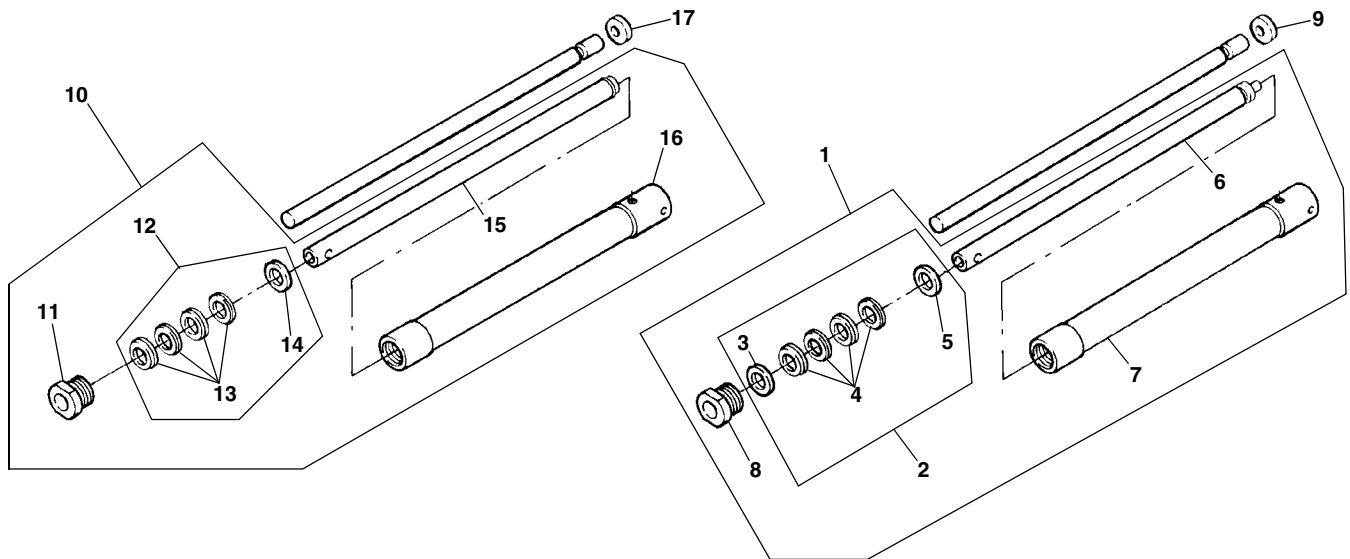
# LIFT CYLINDERS



ITEM	PART NO.	DESCRIPTION	QTY
1	96001261	Cylinder, Lift, 2" (Single Action, Gravity Down).....	1
2	96005046	Kit, Seal.....	1
3		Seal, Square End.....	1
4		Seal, Inner.....	4
5		Seal, Domed (Metal or Plastic) .....	1
6		Housing, Cylinder .....	1
7		Rod, Cylinder.....	1
8	96005100	Nut, Gland 2" .....	1
9	96100085	Cylinder, Lift, 2-1/2" (Double Action, Down Pressure) .....	1
10	96101516	Kit, Seal .....	1
11		Seal, Wiper.....	1
12		Seal, Rod .....	1
13		Ring, Back-up.....	1
14		Seal, O-ring.....	1
15		Seal, Piston .....	1
16		Seal, O-ring.....	1
17		Piston, 2-1/2" .....	1
18		Nut.....	1
19		Rod, Cylinder .....	1
20	96100492	Nut, Gland 2-1/2" .....	1

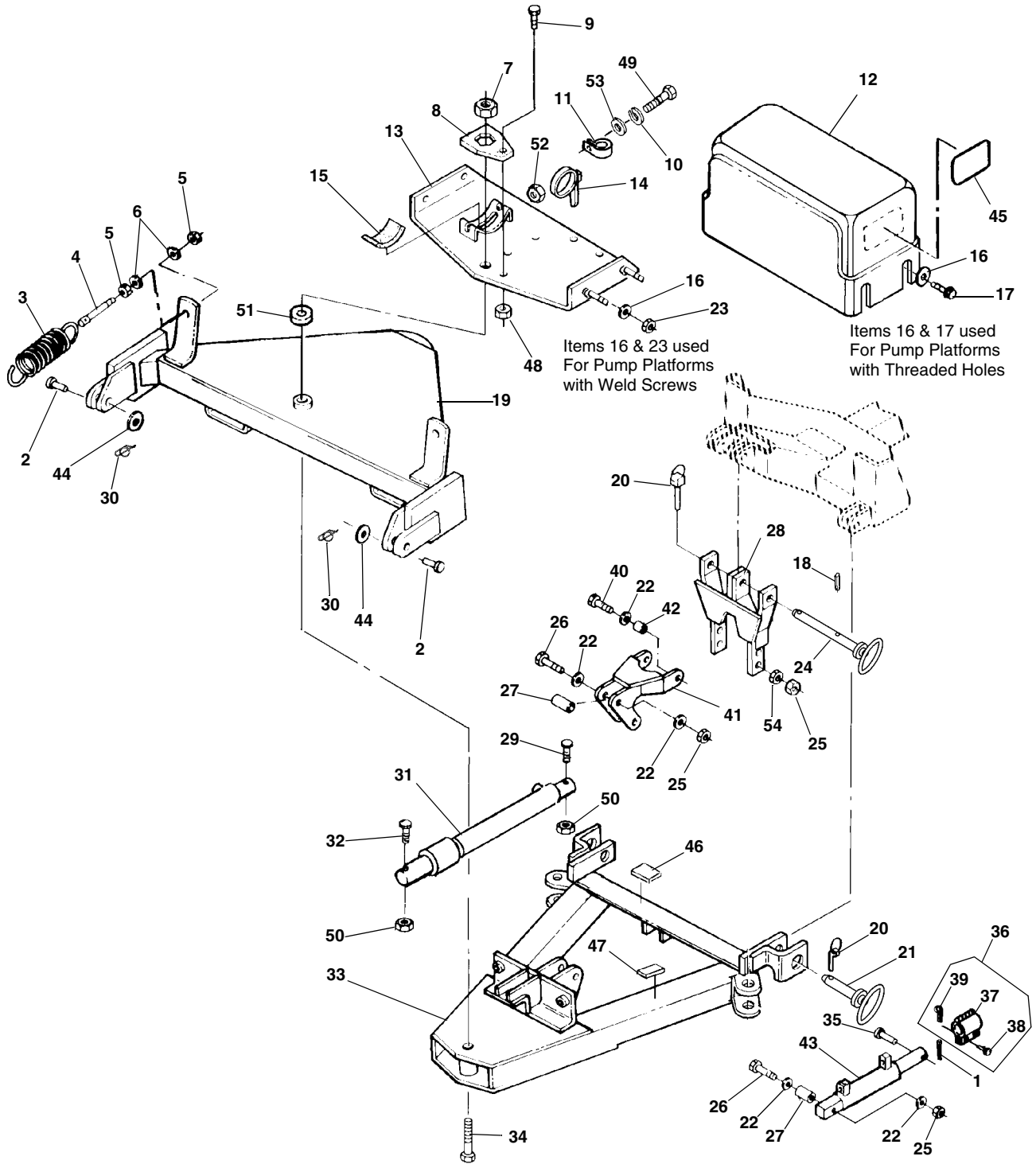


# ANGLE CYLINDERS



ITEM	PART NO.	DESCRIPTION	QTY 24	25
1	96001044	Cylinder, Angle, 1" (Serial Number Before 24G100858).....	1	-
	96101057	Cylinder, Angle, 1-1/4" .....	1	-
		(Serial Number After 24G100857, or After 24D100000)		
2	96005035	Kit, Seal 1" (Serial Number Before 24G100858) .....	1	-
	96101082	Kit, Seal 1-1/4" .....	1	-
		(Serial Number After 24G100857, or After 24D100000)		
3		Seal, Square End.....	1	-
4		Seal, Inner .....	4	-
5		Seal, Domed (Metal or Plastic) .....	1	-
6		Rod, Cylinder .....	1	-
7		Housing, Cylinder .....	1	-
8	96005101	Nut, Gland 1" (Includes Wiper) (Serial Number Before 24G100858)	1	-
	96101566	Nut, Gland 1-1/4" (Includes Wiper) .....	1	-
		(Serial Number After 24G100857, or After 24D100000)		
9	96100419	Ring, Guide, 1" (HDM Cylinder Only) .....	1	-
		(Serial Number Before 24G100858)		
	96101084	Ring, Guide, 1-1/4" .....	1	-
		(Serial Number After 24G100857, or After 24D100000)		
10	96001262	Cylinder, Angle, 1-1/2" .....	-	1
11	96005036	Nut, Gland 1-1/2" (Includes Wiper) .....	-	1
12	96005034	Kit, Seal .....	-	1
13		Seal, Vee-Packing.....	-	4
14		Ring .....	-	1
15		Rod, Cylinder .....	-	1
16		Housing, Cylinder .....	-	1
17	96100417	Ring, Guide 1-1/2" (HDM Cylinder Only) .....	-	1

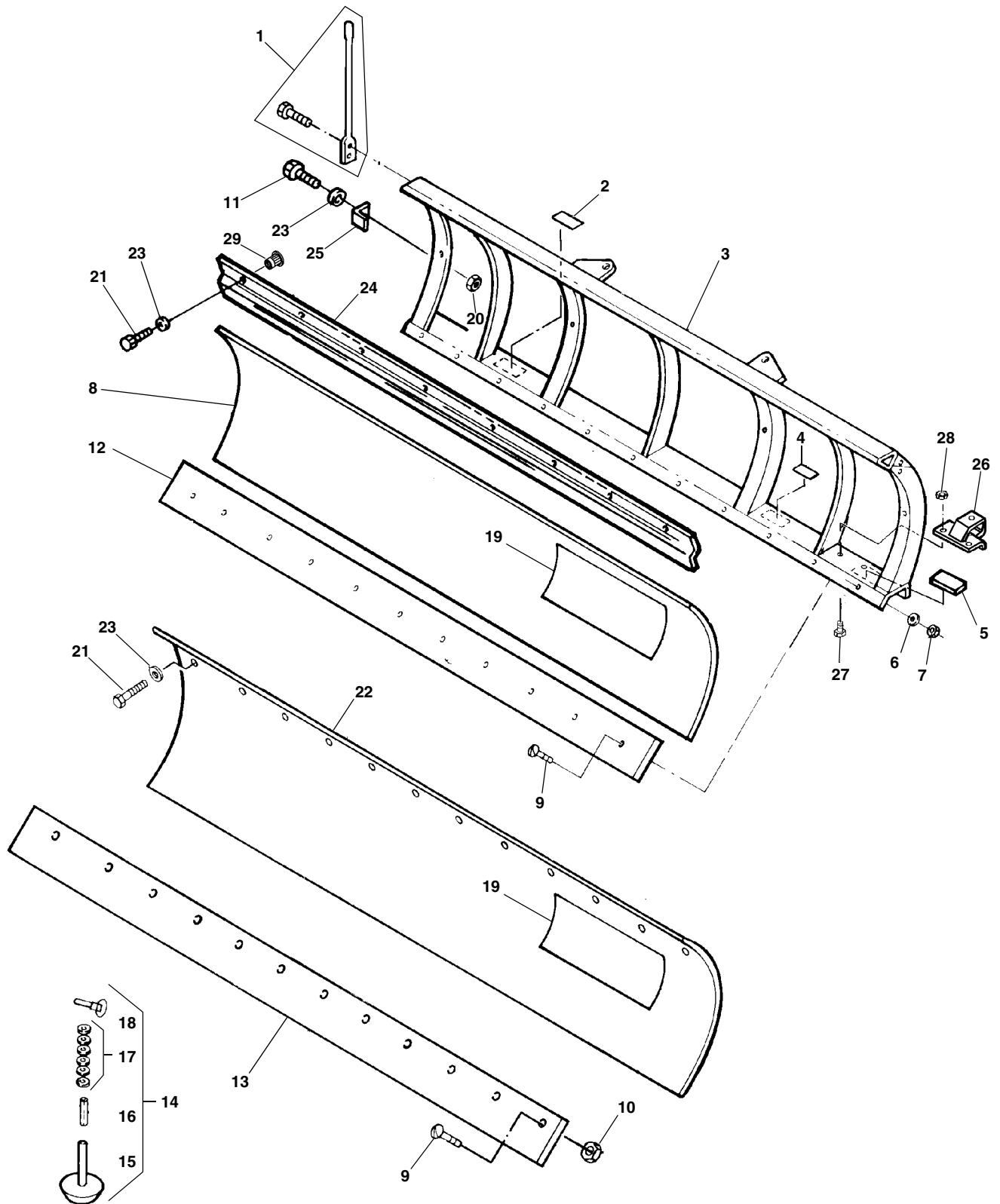
# POWER PACK



# POWER PACK

ITEM	PART NO.	DESCRIPTION	QTY 24	25
1	98009085	Pin, Cotter, 5/32" x 1-1/2" .....	1	1
2	98009175	Pin, Clevis, 3/4" x 2-1/2" .....	2	2
3	96001392	Spring, Trip .....	2	2
4	98009037	Eyebolt, 5/8"-11 x 6" .....	2	2
5	98009078	Nut, Hex., 5/8"-11 .....	4	4
6	98009039	Washer, Flat, 5/8" .....	4	4
7	98100005	Nut, Hex., 1"-14 .....	1	1
8	96100073	Plate, Locking, Nut .....	1	1
9	98009022	Capscrew, Hex., 3/8"-16 x 1" .....	2	2
10	98009008	Washer, Lock, 3/8" .....	2	2
11	96101956	Clamp, Cable .....	1	1
12	96100128	Cover, Pump .....	1	1
13	96100054	Platform, Pump .....	1	1
14	98009138	Clamp, Mounting, Pump .....	1	1
15	96001354	Pad, Neoprene .....	1	1
16	98019230	Washer, Flat, Black, 5/16" .....	4	4
17	98019176	Screw, Flange Hd., Self Tapping, Black, 5/16" x 1" .....	4	4
18	98100008	Pin, Roll, Spring .....	1	1
19	96103881	Frame, Swing, 24" .....	1	-
	96100058	Frame, Swing, 25" .....	-	1
20	98009169	Pin, Lynch, 1/4" x 1-9/16" .....	3	3
21	98009168	Pin, Hitch, 3/4" x 2-1/2" .....	2	-
		For 24 Series Plow Serial No. Before 24G100858		
	96105046	Pin, Hitch, 3/4" x 4-11/16" .....	2	2
		(For 24 Series Plow Serial No. After 24G100857)		
		(For 24 Series Plow Serial No. After 24D100000)		
		(For 25 Series Plow Serial No. After 25G100050)		
		(For 25 Series Plow Serial No. After 25D100763)		
	98009168	Pin, Hitch, 3/4" x 2-1/2" .....	-	2
		(For 25 Series Plow Serial No. Before 25G100051)		
		(For 25 Series Plow Serial No. Before 25D100764)		
22	98100176	Washer, Special Hardened .....	6	6
23	98009150	Nut, Nylock 5/16"-18 NC .....	4	4
24	96105057	Pin, Hitch, 3/4" x 5-11/16" .....	1	1
25	98009013	Nut, Hex., Nylock, 1/2"-13 .....	4	4
26	98009036	Capscrew, Hex., 1/2"-13 x 3-1/2" .....	2	2
27		Spacer, Bellcrank (Use 96102227) .....	2	2
28	96101058	Bar, Lift .....	1	1
29	98009017	Capscrew, Hex., 1/2"-13 x 3" .....	2	-
	98009042	Capscrew, Hex., 5/8"-11 x 3-1/2" .....	-	2
30	98100099	Pin, Special .....	2	2
31	96001044	Cylinder, Angle, 1" .....	2	-
		(For 24 Series Plow Serial No. Before 24G100858)		
	96101057	Cylinder, Angle, 1-1/4" .....	2	-
		(For 24 Series Plow Serial No. After 24G100857)		
		(For 24 Series Plow Serial No. After 24D100000)		
	96001262	Cylinder, Angle, 1-1/2" .....	-	2
32	98009055	Capscrew, Hex, 1/2"-13 x 4-1/2" .....	2	-
	98009197	Capscrew, Hex, 5/8"-11 x 6" .....	-	2
33	96105073	A-Frame, 24" .....	1	-
	96105072	A-Frame, 25" .....	-	1
34	98100028	Capscrew, Hex, 1"-14 x 7" .....	1	-
	98100004	Capscrew, Hex, 1"-14 x 8" .....	-	1
35	98100007	Pin, Clevis, 3/4" x 4" .....	1	1
36	96105279	LOCK CLAMP ASSEMBLY, CYLINDER, 2" (Gravity Down) .....	1	1
	96105278	LOCK CLAMP ASSEMBLY, CYLINDER, 1-1/2" (Down Pressure) .....	1	1
37		Clamp, Cylinder, Lock, 2" (Gravity Down) .....	1	1
		Clamp, Cylinder, Lock, 1-1/2" (Down Pressure) .....	1	1
38	98009007	Pin, Clevis, 5/16" x 1" .....	2	2
39	98009019	Pin, Cotter, #6 x 2 .....	2	2
40	98100010	Capscrew, Hex, 1/2"-13 x 2" .....	2	2
41	96102927	Bellcrank .....	1	1
42	96102271	Spacer, Lift Bar .....	2	2
43	96001261	Cylinder, Lift, 2" (Gravity Down) .....	1	1
	96100085	Cylinder, Lift, 2-1/2" (Down Pressure) .....	1	1
44	98009030	Washer, Flat, 3/4" .....	2	2
45	97100214	Decal, Important .....	1	1
46	97100005	Decal, Patent .....	1	1
47	97100004	Decal, Important .....	2	2
48	98009009	Nut, Hex., Nylock, 3/8"-16 .....	2	2
49	98009034	Capscrew, Hex, 3/8"-16 x 1-1/4" .....	2	2
50	98009013	Nut, Hex., Nylock, 1/2"-13 .....	4	-
	98009038	Nut, Hex., Nylock, 5/8"-11 .....	-	4
51	98009005	Washer, Flat, 1" .....	1	1
52	98009077	Nut, Hex., 3/8"-16 .....	2	2
53	98009032	Washer, Flat, 3/8" .....	2	2
54	98100172	Nut, Hex Jam, 1/2" - 23 .....	2	2

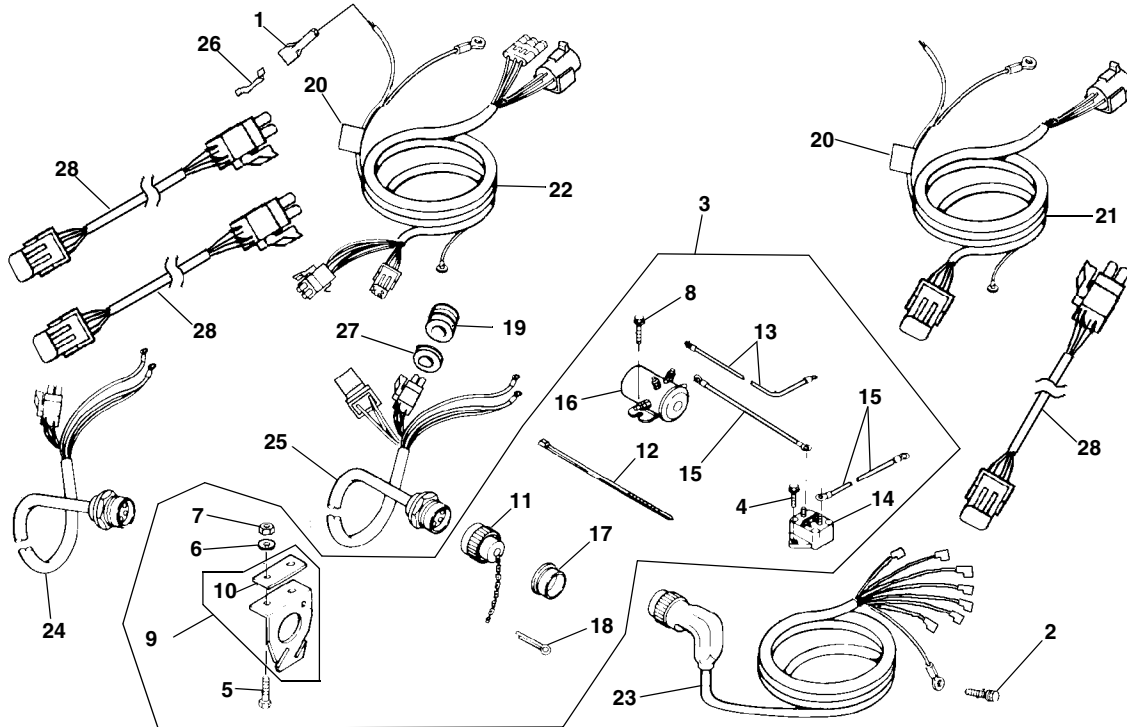
# BLADES



# BLADES

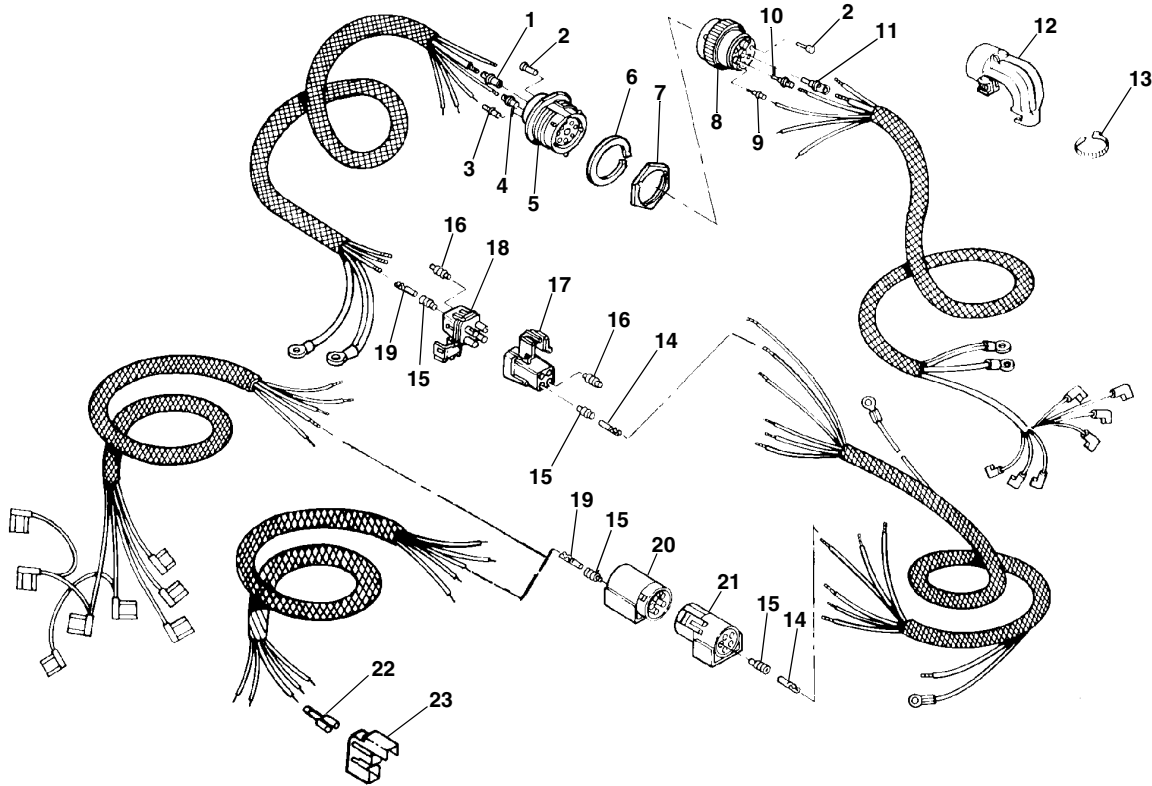
ITEM	PART NO.	DESCRIPTION	QTY 24	25
1	96006002	Kit, Guide, Blade (Includes 2 Guides And Mounting Hardware) .....	1	1
2	97100006	Decal, Important .....	1	1
3		Frame, 69" .....	1	-
		Frame, 80" (Used With Top Blade Retainer) .....	1	-
		Frame, 90" (Used With Top Blade Retainer) .....	1	1
		Frame, 96" (Used With Top Blade Retainer) .....	-	1
	96101971	Frame, 108" (Used With Top Blade Retainer) .....	-	1
4	97100001	Decal, Warning .....	1	1
5	97100018	Decal, Warning .....	2	2
6	98009012	Washer, Lock, 1/2" (Used With Polymer Wearstrip) .....	12	12
7	98009076	Nut, Hex., 1/2" - 13 (Used With Polymer Wearstrip) .....	12	12
8	96101609	Kit, Flat Lexan, 69" (Includes "Sno-Way" Decal) .....	1	-
	96100817	Kit, Flat Lexan, 80" (Includes "Sno-Way" Decal) .....	1	-
	96100818	Kit, Flat Lexan, 90" (Includes "Sno-Way" Decal) .....	1	1
	96100819	Kit, Flat Lexan, 96" (Includes "Sno-Way" Decal) .....	-	1
	96101839	Kit, Flat Lexan, 108" (Includes "Sno-Way" Decal) .....	-	1
9	98009099	Bolt, Carriage, Gr. 5, 1/2"-13 x 2" (Used With Polymer Wearstrip) ...	12	12
	98009171	Bolt, Carriage, Gr. 5, 1/2"-13 x 1-1/2" (Used With Steel Wearstrip) ..	12	12
10	98009013	Nut, Hex., Nylock, 1/2" - 13 (Used With Steel Wearstrip) .....	12	12
11	98009149	Capscrew, Hex., 5/16"-18 x 1 .....	2	2
12	96102565	Kit, Wearstrip, Polymer, 69"(Includes Mounting Hardware) .....	1	-
	96100234	Kit, Wearstrip, Polymer, 80" (Includes Mounting Hardware) .....	1	-
	96100236	Kit, Wearstrip, Polymer, 90" (Includes Mounting Hardware) .....	1	1
13	96100521	Kit, Wearstrip, Steel, 80" (Includes Mounting Hardware) .....	1	-
	96100237	Kit, Wearstrip, Steel, 90" (Includes Mounting Hardware) .....	1	1
	96100239	Kit, Wearstrip, Steel, 96" (Includes Mounting Hardware) .....	-	1
	96101837	Kit, Wearstrip, Steel, 108" (Includes Mounting Hardware) .....	-	1
14	96102542	SHOE ASSEMBLY .....	2	2
15		Shoe, Cast, 1" Shaft .....	1	1
16		Spacer, 1" .....	1	1
17	98009005	Washer, Flat, 1" .....	14	14
18	98009169	Pin, Lynch, 1/4" x 1-9/16" .....	1	1
19	97100664	Decal, Sno-Way (Used With Steel Blade) .....	1	1
	97100663	Decal, Sno-Way (Used With Lexan Blade) .....	1	1
20	98009038	Nut, Hex Nylock, 5/16"-11 .....	2	2
21	98019176	Screw, Self Tapping .....	8	8
22	96103048	Blade, Steel 80" (Bolt on Style) (Includes "Sno-Way" Decal) .....	1	-
	96103047	Blade, Steel, 90" (Bolt on Style) (Includes "Sno-Way" Decal) .....	1	1
	96103046	Blade, Steel, 96" (Bolt on Style) (Includes "Sno-Way" Decal) .....	-	1
	96103045	Blade, Steel, 108" (Bolt on Style) (Includes "Sno-Way" Decal) .....	-	1
23	98019230	Washer, Flat, 5/16" .....	10	10
24	96100749	Retainer, Blade, 69" .....	1	-
	96100265	Retainer, Blade, 80" .....	1	-
	96100266	Retainer, Blade, 90" .....	1	1
	96100267	Retainer, Blade, 96" .....	-	1
	96100752	Retainer, Blade, 108" .....	-	1
25	96100213	Retainer, Bracket .....	2	2
26	96101401	Bracket, Shoe .....	2	2
27	98009034	Capscrew, Hex., 3/8"- 16 x 1-1/4" .....	8	8
28	98009009	Nut, Nylock, 3/8"-16 .....	8	8
29	98100100	Nut, Rivet .....	8	8
30	98106378	Rivet Compression Tool (Not Shown) .....	1	1

# ENGINE, VEHICLE & POWER PACK WIRING



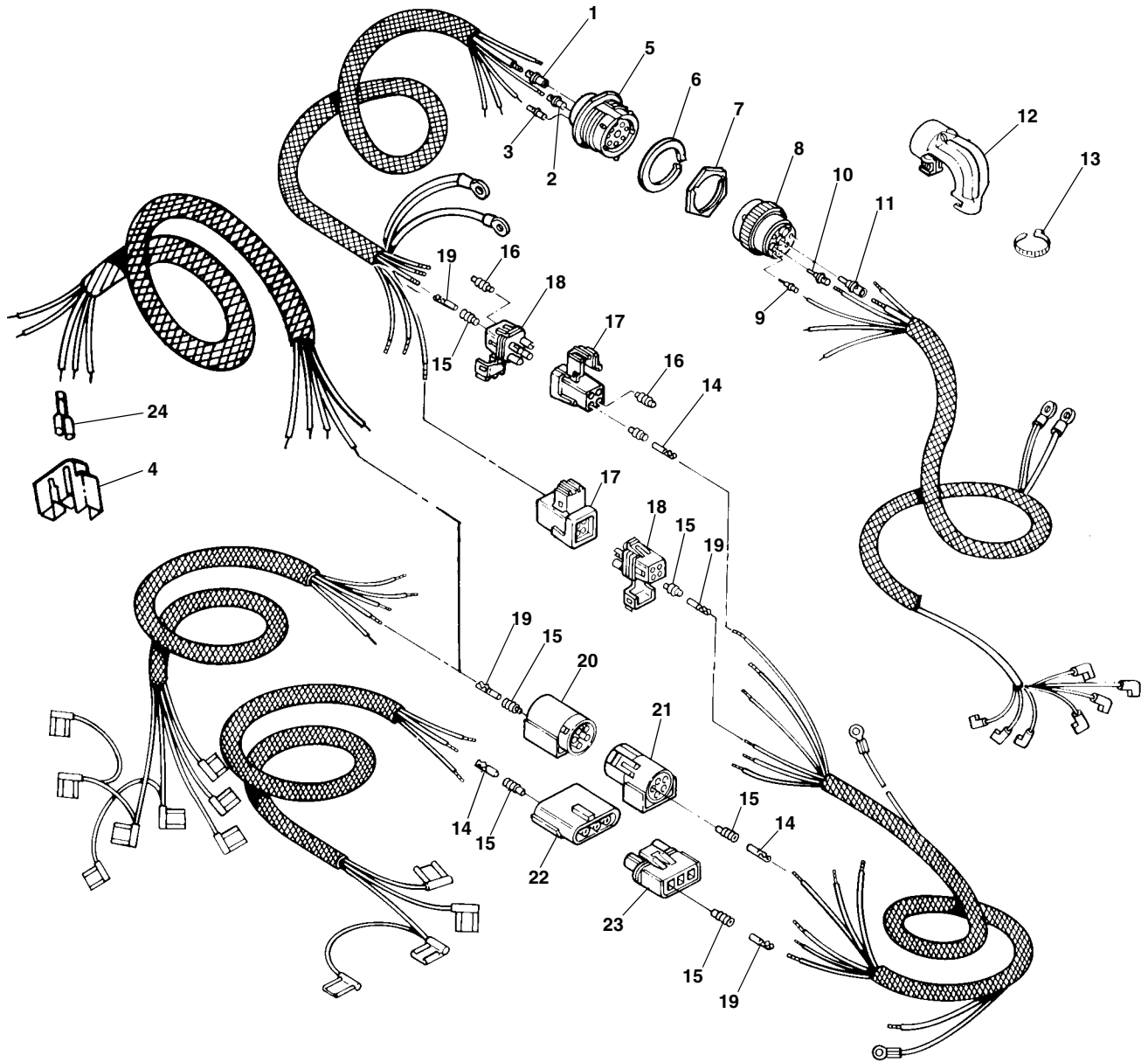
ITEM	PART NO.	DESCRIPTION	QTY
1	96002085	Terminal, Female, Spade, 1/4" - For ATO/ATC Blade Fuse.....	1
	96101845	Terminal, Female, Spade, 1/4" - For Mini Blade Fuse.....	1
2	98100069	Screw, Self Tapping, 1/4" x 1/4" .....	1
3	96100200	BAG, HARNESS & CONTROL PARTS .....	1
4	98100037	Screw, Self Tapping, #10 x 1" .....	2
5	98009027	Capscrew, Hex, 1/4" x 1" .....	2
6	98009031	Washer, Lock, 1/4".....	2
7	98009033	Nut, Hex, 1/4" .....	2
8	98009092	Screw, Self Tapping, 1/4" x 1" .....	2
9	96002130	MOUNTING BRACKET ASSEMBLY .....	1
10	96001684	Tape, Foam, Adhesive Back, 3" Long.....	1
11	96002107	Cap, Metal Protective .....	1
12	96001227	Strap, Plastic Tie.....	5
13	96002100	Wire, Solenoid Ground .....	1
14	96101210	Breaker, Circuit, 150 Amp.....	1
15	96102891	Cable, Positive Battery.....	2
16	96002086	Switch, Solenoid .....	1
17	96002108	Cap, Plastic, Protective.....	2
18	98009233	Pin, Cotter, 3/16" x 1" .....	1
19	96100298	Grommet, Rubber, 1" .....	1
20	97000034	Label, Electrical, Warning .....	1
21	96100308	Harness, Engine Compartment (Gravity Down).....	1
22	96100307	Harness, Engine Compartment (Down Pressure).....	1
23	96002097	Harness, Power Pack (Gravity Down) .....	1
	96100087	Harness, Power Pack (Down Pressure) .....	1
24	96002099	Harness, Vehicle Power (Gravity Down) .....	1
25	96100097	Harness, Vehicle Power (Down Pressure) .....	1
26	96002083	Tap, Auto Fuse Power - For ATO/ATC Blade Fuse .....	1
	96101832	Tap, Auto Fuse Power - For Mini Blade Fuse .....	1
27	96101846	Seal, Neoprene .....	1
28	96103868	Harness, Extension - (Down Pressure).....	2
		Harness, Extension - (Gravity Down).....	1

# WIRING HARNESS (GRAVITY DOWN)



ITEM	PART NO.	DESCRIPTION	QTY
1	96002119	Contact, Socket, Gauge 6.....	1
2	96002124	Plug, Sealing, Plastic.....	6
3	96002121	Contact, Socket, 12-14 Gauge.....	3
4	96002120	Contact, Socket, 8-10 Gauge.....	2
5	96002113	Socket, Harness , Vehicle.....	1
6	98002115	Washer, Lock.....	1
7	98002114	Nut.....	1
8	96002112	Plug, Harness, Power Pack.....	1
9	96002118	Contact, Pin, 12-14 Gauge.....	3
10	96002117	Contact, Pin, 8-10 Gauge.....	2
11	96002116	Contact, Pin, 6 Gauge.....	1
12	96002111	Elbow, Strain Relief, 90°.....	1
13	96001227	Strap, Tie, Plastic.....	1
14	96002138	Contact, Pin.....	8
15	96002139	Seal, Silicone, Blue.....	16
16	96002140	Plug, Silicone, Green.....	2
17	96002137	Socket, Harness.....	1
18	96002141	Plug, Harness, Vehicle.....	1
19	96002142	Contact, Socket.....	8
20	96100496	Connector, Socket.....	1
21	96100495	Connector, Plug.....	1
22		Terminal, Female Spade (Joystick Harness).....	8
23		Connector (Joystick Harness).....	4

# WIRING HARNESS (DOWN PRESSURE)

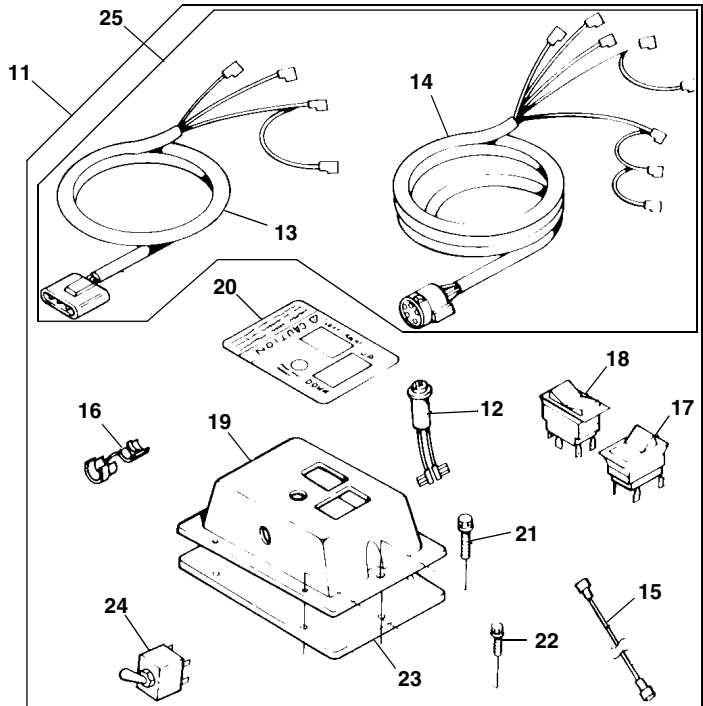
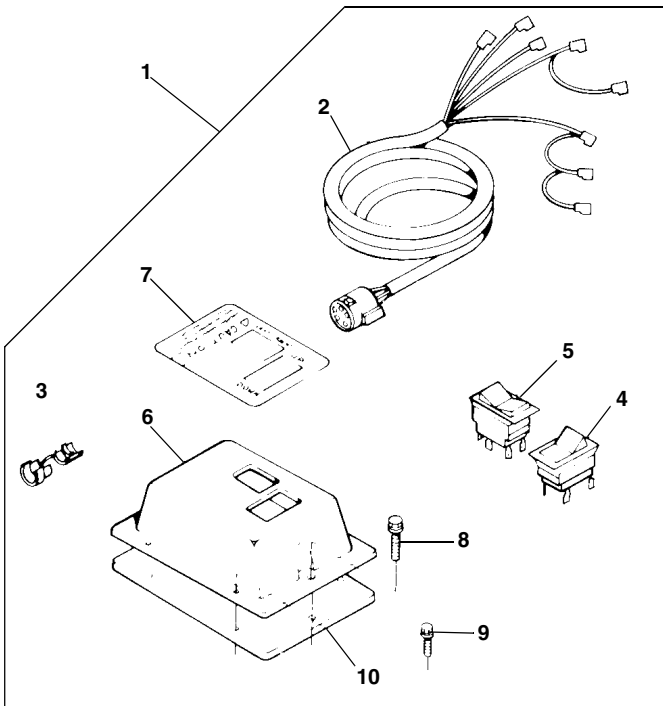




# WIRING HARNESS (WITH DOWN PRESSURE SYSTEM)

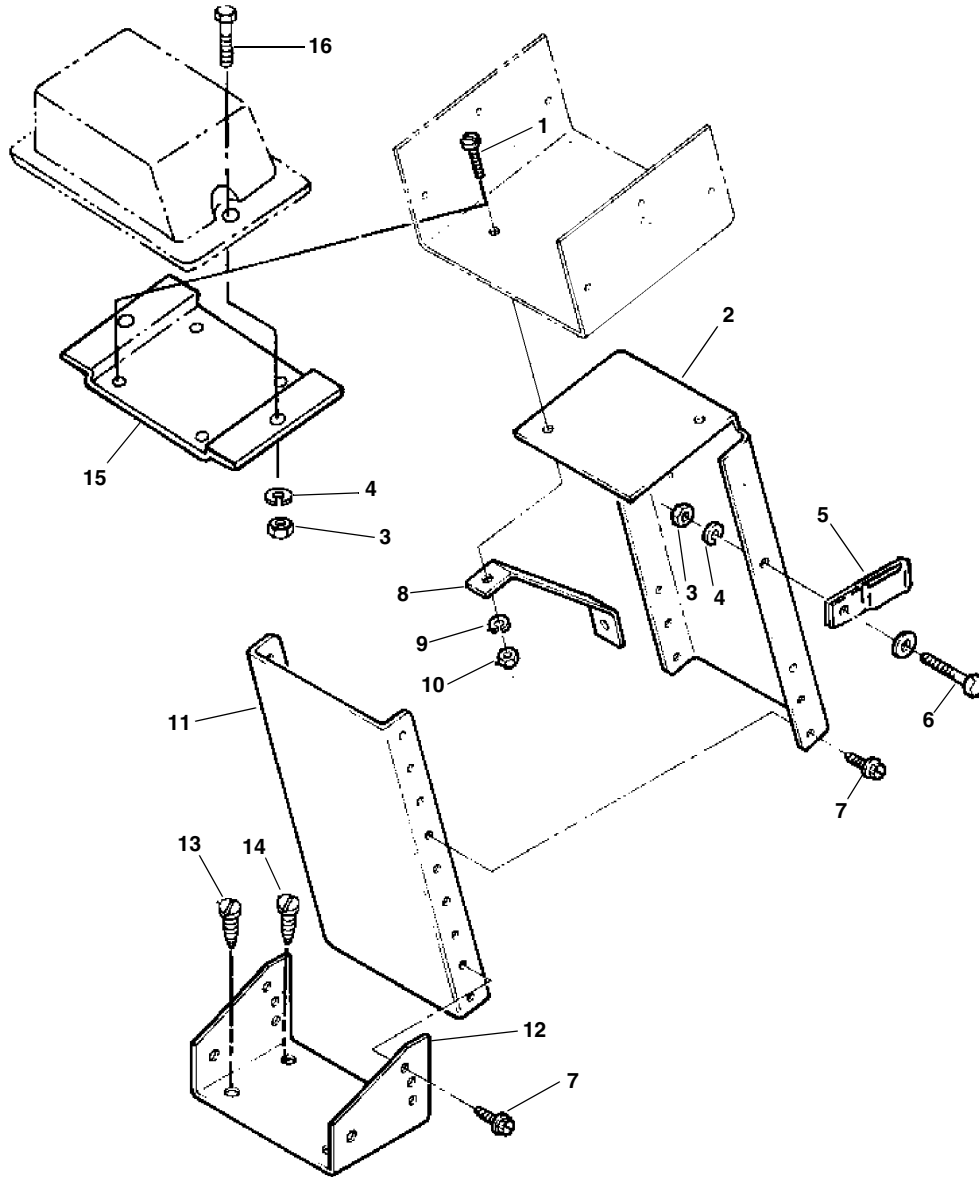
ITEM	PART NO.	DESCRIPTION	QTY
1	96002119	Contact, Socket, Gauge 6 .....	1
2	96002121	Contact, Socket, 12-14 Gauge .....	6
3	96002120	Contact, Socket, 8-10 Gauge .....	2
4		Connector (Joystick Harness) .....	4
5	96002113	Socket, Harness , Vehicle .....	1
6	98002115	Washer, Lock .....	1
7	98002114	Nut .....	1
8	96002112	Plug, Harness, Power Pack .....	1
9	96002118	Contact, Pin, 12-14 Gauge .....	6
10	96002117	Contact, Pin, 8-10 Gauge .....	2
11	96002116	Contact, Pin, 6 Gauge .....	1
12	96002111	Elbow, Strain Relief, 90° .....	1
13	96001227	Strap, Tie, Plastic .....	1
14	96002138	Contact, Pin .....	11
15	96002139	Seal, Silicone, Blue .....	22
16	96002140	Plug, Silicone, Green .....	2
17	96002137	Socket, Harness .....	2
18	96002141	Plug, Harness, Vehicle .....	2
19	96002142	Contact, Socket .....	11
20	96100496	Connector, Socket .....	1
21	96100495	Connector, Plug .....	1
22	96100498	Connector, Socket .....	1
23	96100497	Connector, Plug .....	1
24		Terminal, Female Spade (Joystick Harness) .....	8

# CONTROLLER (ROCKER SWITCH)



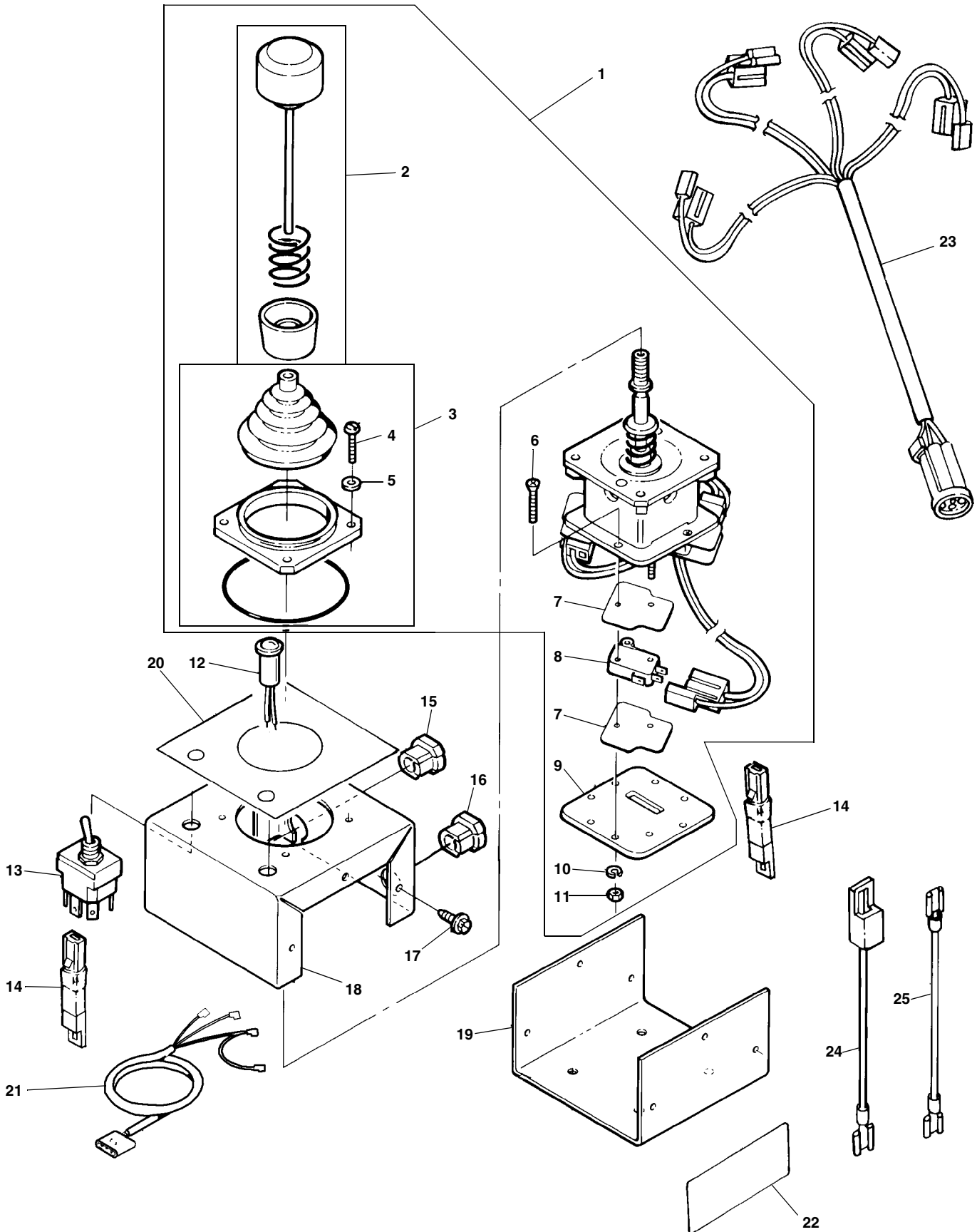
ITEM	PART NO.	DESCRIPTION	QTY
1	99100011	CONTROL BOX ASSEMBLY (Gravity Down) .....	1
2	96100309	Harness, Control Box .....	1
3	96002075	Bushing, Strain Relief, Large .....	1
4	96002103	Switch, Up / Down .....	1
5	96002104	Switch, Left / Right .....	1
6	96002015	Cover, Control Box .....	1
7	97100016	Decal / Control Box .....	1
8	98009071	Screw, Self Tapping , 1/4" x 1-1/2" .....	2
9	98009172	Screw, Self Tapping #10 x 3/8" .....	4
10	96012015	Plate, Control Box Base .....	1
11	99100012	CONTROL BOX ASSEMBLY (Down Pressure) .....	1
12	96100444	Lamp, Indicator .....	1
13	96100310	Harness, Down Pressure .....	1
14	96100309	Harness, Control Box .....	1
15	96100192	Wire, Jumper .....	2
16	96002075	Bushing, Strain Relief, Large .....	1
	96100299	Bushing, Strain Relief, Small .....	1
17	96002103	Switch, Up / Down .....	1
18	96002104	Switch, Left / Right .....	1
19	96100438	Cover, Control Box .....	1
20	97100042	Decal, Control Box .....	1
21	98009071	Screw, Self Tapping , 1/4" x 1-1/2" .....	2
22	98009172	Screw, Self Tapping #10 x 3/8" .....	4
23	96100439	Plate, Control Box Base .....	1
24	96100190	Switch, Toggle .....	1
25	96102892	Harness, Control Box/DP (Loomed Together) .....	1

# CONTROLLER STAND



ITEM	PART NO.	DESCRIPTION	QTY
1	98009173	Screw, Round Head, #10-24 x 1/2" .....	3
2	96101018	Plate, Stand .....	1
3	98009033	Nut, Hex., 1/4"-20 .....	3
4	98009031	Washer, Lock, 1/4" .....	3
5	96101015	Clamp, Tube .....	1
6	98009027	Capscrew, Hex., 1/4"-20 x 1" .....	1
7	98009172	Screw, Self Tapping, #10 x 3/8" .....	8
8	96101286	Brace .....	1
9	98009065	Washer, Lock, 3/16" .....	3
10	98009066	Nut, Hex., #10-24 .....	3
11	96101176	Plate, Stand Extension .....	1
12	96101017	Plate, Stand Base .....	1
13	98009092	Screw, Self Tapping, 1/4"-14 x 1" .....	2
14	98009071	Screw, Self Tapping, 1/4"-14 x 1-1/2" .....	2
15	96101501	Plate Adapter .....	1
16	98009144	Capscrew, Hex., 1/4"-20 x 1-1/2" .....	2

# CONTROLLER (JOYSTICK)



# CONTROLLER (JOYSTICK)

ITEM	PART NO.	DESCRIPTION	QTY
1	96101169	JOYSTICK ASSEMBLY .....	1
2		Knob Assembly .....	1
3		Boot Assembly .....	1
4		Screw .....	4
5		Washer, Plain .....	4
6		Screw .....	8
7		Insulator .....	8
8	96101524	Switch .....	4
9		Plate, Guide .....	1
10		Washer, Lock .....	8
11		Nut, Hex .....	8
12	96100444	Lamp, Indicator (Down Pressure) .....	1
13	96100190	Switch, Toggle (Down Pressure) .....	1
14	96101014	Diode .....	3
15	96101267	Bushing, Strain Relief, Large .....	1
16	96101165	Bushing, Strain Relief, Small (Down Pressure) .....	1
17	98009172	Screw, Self Tapping, #10 x 3/8" .....	6
18	96100361	Housing, Controller .....	1
19	96100362	Plate, Controller Base .....	1
20	97100176	Decal, Controller (Gravity Down) .....	1
	97100175	Decal, Controller (Down Pressure) .....	1
21	96100310	Harness, Down Pressure (Down Pressure) .....	1
22	97100177	Decal, Caution .....	1
23	96101161	Harness, Joystick Control (Gravity Down) .....	1
	96100313	Harness, Joystick Control (Down Pressure) .....	1
24	96101256	Wire, Jumper (Down Pressure) .....	1
25	96100192	Wire, Jumper (Down Pressure) .....	1

# NUMERICAL INDEX

PART NO.	PAGE	ITEM	PART NO.	PAGE	ITEM	PART NO.	PAGE	ITEM
96001003	2	5		16	12		20	13
96001044	8	1	96002112	14	8	96100192	17	15
	10	31		16	8		20	25
96001227	13	12	96002113	14	5	96100200	13	3
	14	13		16	5	96100213	12	25
	16	13	96002116	14	11	96100234	12	12
96001261	7	1		16	11	96100236	12	12
	10	43	96002117	14	10	96100237	12	13
96001262	8	10		16	10	96100239	12	13
	10	31	96002118	14	9	96100265	12	24
96001354	10	15		16	9	96100266	12	24
96001392	10	3	96002119	14	1	96100267	12	24
96001528	2	4		16	1	96100298	13	19
96001538	6	28	96002120	14	4	96100299	17	16
96001539	6	40		16	3	96100307	13	22
96001540	6	30	96002121	14	3	96100308	13	21
96001543	6	29		16	2	96100309	17	2
96001544	6	36	96002124	14	2		17	14
96001546	6	38	96002130	13	9	96100310	17	13
96001549	6	23	96002137	14	17		20	21
96001551	6	22		16	17	96100311	4	14
96001552	6	27	96002138	14	14	96100313	20	23
96001553	6	44		16	14	96100361	20	18
96001557	6	42	96002139	14	15	96100362	20	19
96001562	6	39		16	15	96100370	2	8
96001565	6	24	96002140	14	16	96100417	8	17
96001566	6	25		16	16	96100419	8	9
96001568	6	35	96002141	14	18	96100438	17	19
96001570	6	26		16	18	96100439	17	23
96001573	6	7	96002142	14	19	96100444	17	12
96001574	6	5		16	19		20	12
96001575	6	14	96005034	8	12	96100487	4	11
96001578	6	18	96005035	8	2	96100489	4	12
96001579	6	19	96005036	8	11	96100492	7	20
96001580	6	20	96005046	7	2	96100495	14	21
96001583	6	6	96005100	7	8		16	21
96001584	6	9	96005101	8	8	96100496	14	20
96001585	6	10	96006002	12	1		16	20
96001587	6	8	96012015	17	10	96100497	16	23
96001625	6	45	96100000	4	8	96100498	16	22
96001675	6	47	96100001	4	1	96100521	12	13
96001684	13	10	96100002	2	6	96100522	2	2
96001687	6	11		4	4		4	2
96002015	17	6	96100004	2	7	96100749	12	24
96002075	17	3		4	3	96100752	12	24
	17	16	96100005	4	5	96100817	12	8
96002083	13	26	96100006	4	6	96100818	12	8
96002085	13	1	96100037	4	9	96100819	12	8
96002086	13	16	96100054	10	13	96101014	20	14
96002097	13	23	96100058	10	19	96101015	18	5
96002099	13	24	96100073	10	8	96101017	18	12
96002100	13	13	96100083	2	1	96101018	18	2
96002103	17	4		4	18	96101022	4	7
	17	17	96100085	7	9	96101023	4	21
96002104	17	5		10	43	96101029	4	14
	17	18	96100087	13	23	96101057	8	1
96002107	13	11	96100097	13	25		10	31
96002108	13	17	96100128	10	12	96101058	10	28
96002111	14	12	96100190	17	24	96101082	8	2

# NUMERICAL INDEX

PART NO.	PAGE	ITEM	PART NO.	PAGE	ITEM	PART NO.	PAGE	ITEM
96101084	8	9	96105073	10	33	98009038	10	50
96101161	20	23	96105278	10	36		12	20
96101165	20	16	96105279	10	36	98009039	10	6
96101169	20	1	97000034	13	20	98009042	10	29
96101176	18	11	97100001	12	4	98009055	10	32
96101210	13	14	97100004	10	47	98009065	18	9
96101256	20	24	97100005	10	46	98009066	18	10
96101267	20	15	97100006	12	2	98009071	17	8
96101286	18	8	97100016	17	7		17	21
96101401	12	26	97100018	12	5		18	14
96101438	6	43	97100042	17	20	98009076	12	7
96101439	6	41	97100175	20	20	98009077	10	52
96101501	18	15	97100176	20	20	98009078	10	5
96101507	6	32	97100177	20	22	98009085	10	1
96101508	6	31	97100214	10	45	98009092	13	8
96101516	7	10	97100663	12	19		18	13
96101522	4	13	97100664	12	19	98009099	12	9
96101524	20	8	98001541	6	33	98009138	10	14
96101566	8	8	98001547	6	37	98009144	18	16
96101609	12	8	98001550	6	34	98009149	12	11
96101832	13	26	98001555	6	48	98009150	10	23
96101837	12	13	98001556	6	50	98009168	10	21
96101839	12	8	98001576	6	13	98009169	10	20
96101845	13	1	98001577	6	4		12	18
96101846	13	27	98001618	6	1	98009171	12	9
96101956	10	11	98001626	6	46	98009172	17	9
96101971	12	3	98002114	14	7		17	22
96101975	4	13		16	7		18	7
96101976	4	14	98002115	14	6		20	17
96101993	2	12		16	6	98009173	18	1
	4	19	98009005	10	51	98009175	10	2
96101994	4	16		12	17	98009197	10	32
96101995	2	3	98009007	10	38	98009233	13	18
96102041	4	13	98009008	2	10	98019176	10	17
96102225	2	13		4	15		12	21
	4	20		10	10	98019230	10	16
	6	21	98009009	10	48		12	23
96102271	10	42		12	28	98100004	10	34
96102542	12	14	98009012	12	6	98100005	10	7
96102548	4	12	98009013	10	25	98100007	10	35
96102565	12	12		10	50	98100008	10	18
96102760	6	2		12	10	98100010	10	40
96102795	6	17	98009017	10	29	98100028	10	34
96102891	13	15	98009019	10	39	98100037	13	4
96102892	17	25	98009022	2	11	98100069	13	2
96102927	10	41		4	17	98100099	10	30
96103045	12	22		10	9	98100100	12	29
96103046	12	22	98009027	13	5	98100135	6	15
96103047	12	22		18	6	98100137	6	55
96103048	12	22	98009030	10	44	98100150	6	54
96103467	4	11	98009031	13	6	98100151	6	53
96103868	13	28		18	4	98100172	10	54
96103881	10	19	98009032	10	53	98100176	10	22
96104447	6	52	98009033	13	7	98100204	6	49
96104448	6	51		18	3	98106378	12	30
96104477	6	43	98009034	10	49	99100011	17	1
96105046	10	21		12	27	99100012	17	11
96105057	10	24	98009036	10	26			
96105072	10	33	98009037	10	4			

---

**SNO-WAY<sup>®</sup> INTERNATIONAL, INC.**

**SNO-WAY<sup>®</sup>**  
**SNOW & ICE CONTROL EQUIPMENT**

Hartford, WI 53027 USA  
Website: [www.snoway.com](http://www.snoway.com)  
©2007 Sno-Way<sup>®</sup> International